

940047



2024

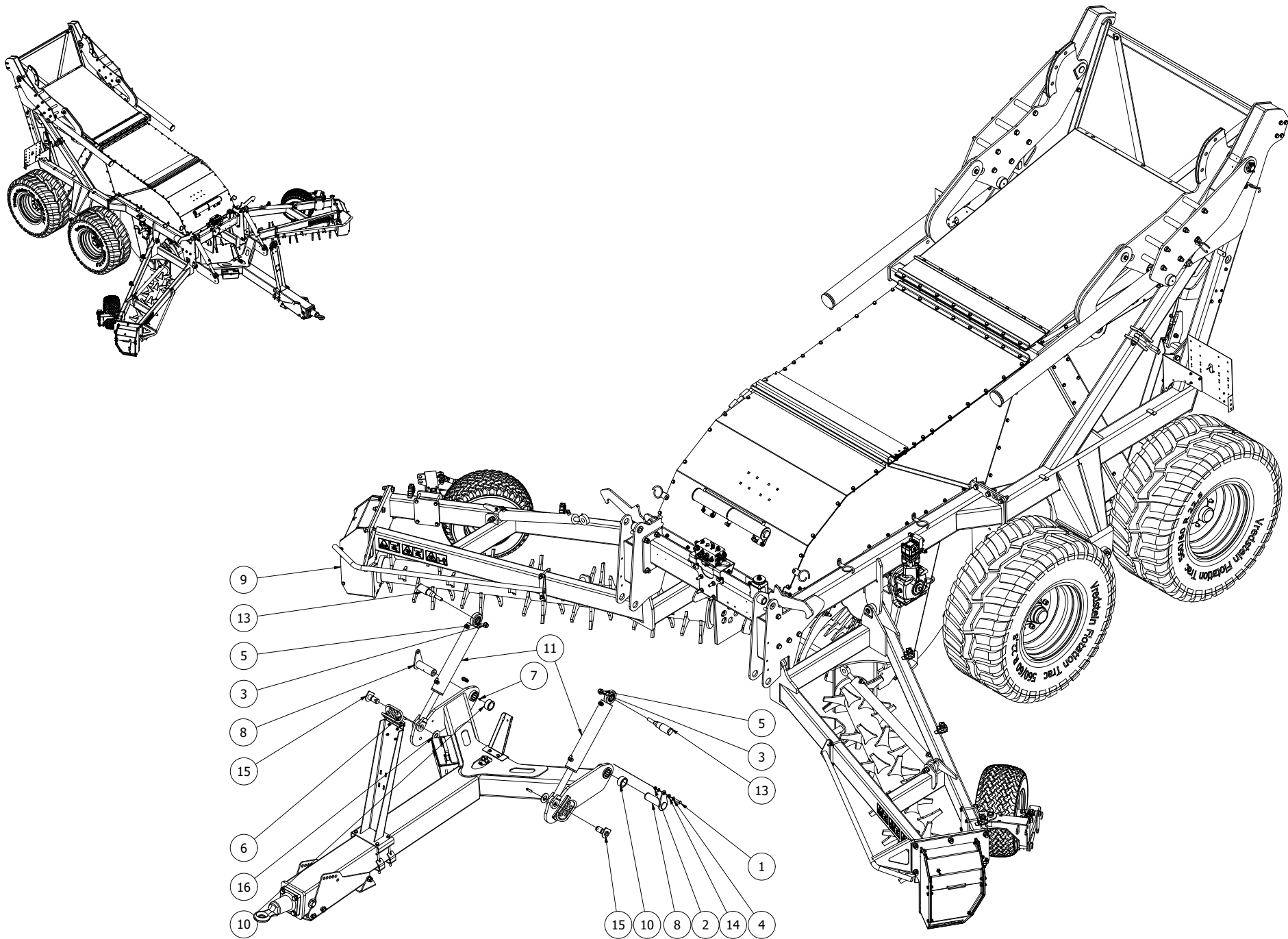
Spare Parts/ Ersatzteile/ Reservdelar/ Varaosat

## **Scorpio 550**

**Serie 10.6**



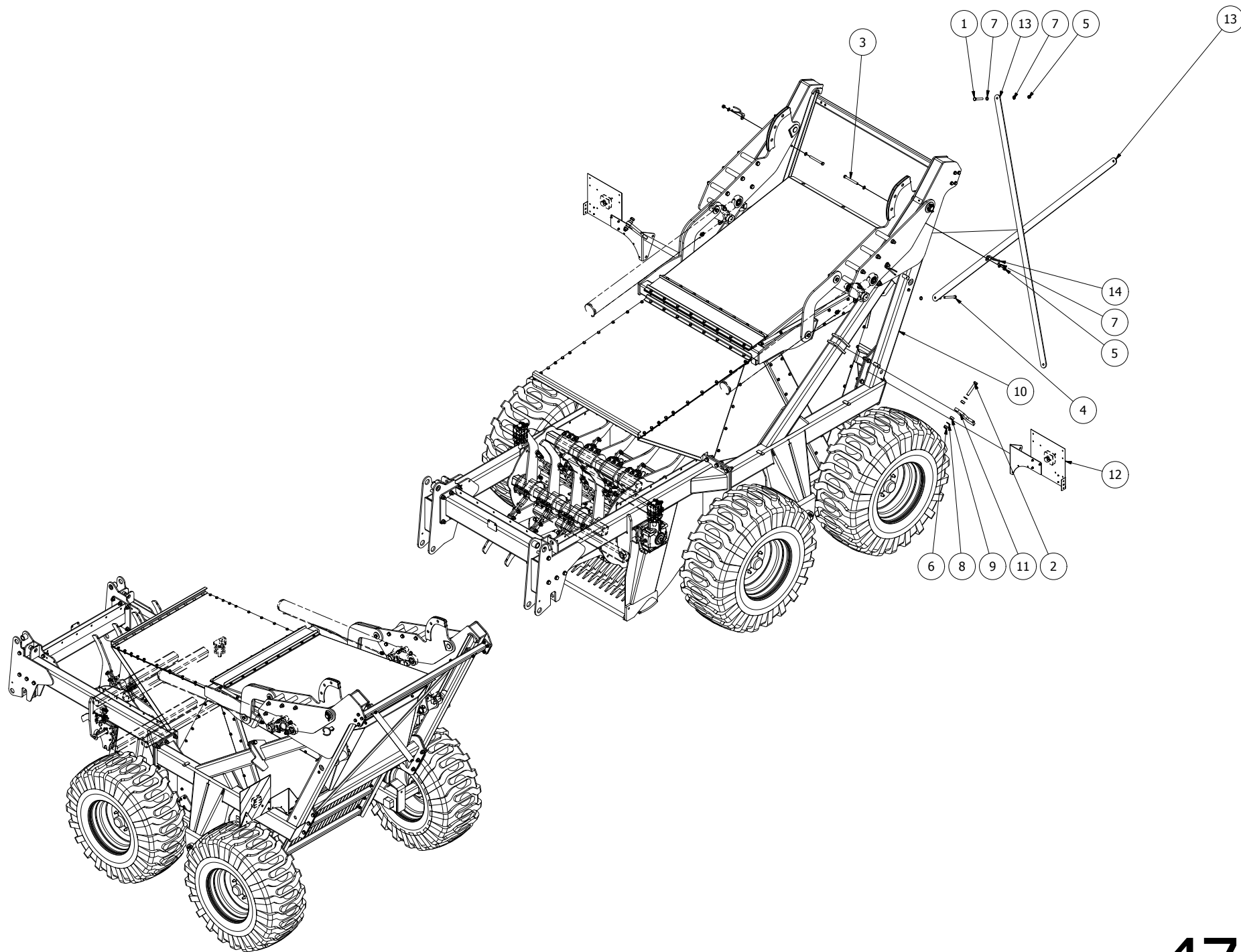
**Oy El-Ho Ab** · Industrivägen 6 · 68910 Bennäs · Finland  
Phone +358 6 7888 000 · Telefax +358 6 78880448 · [www.elho.fi](http://www.elho.fi)



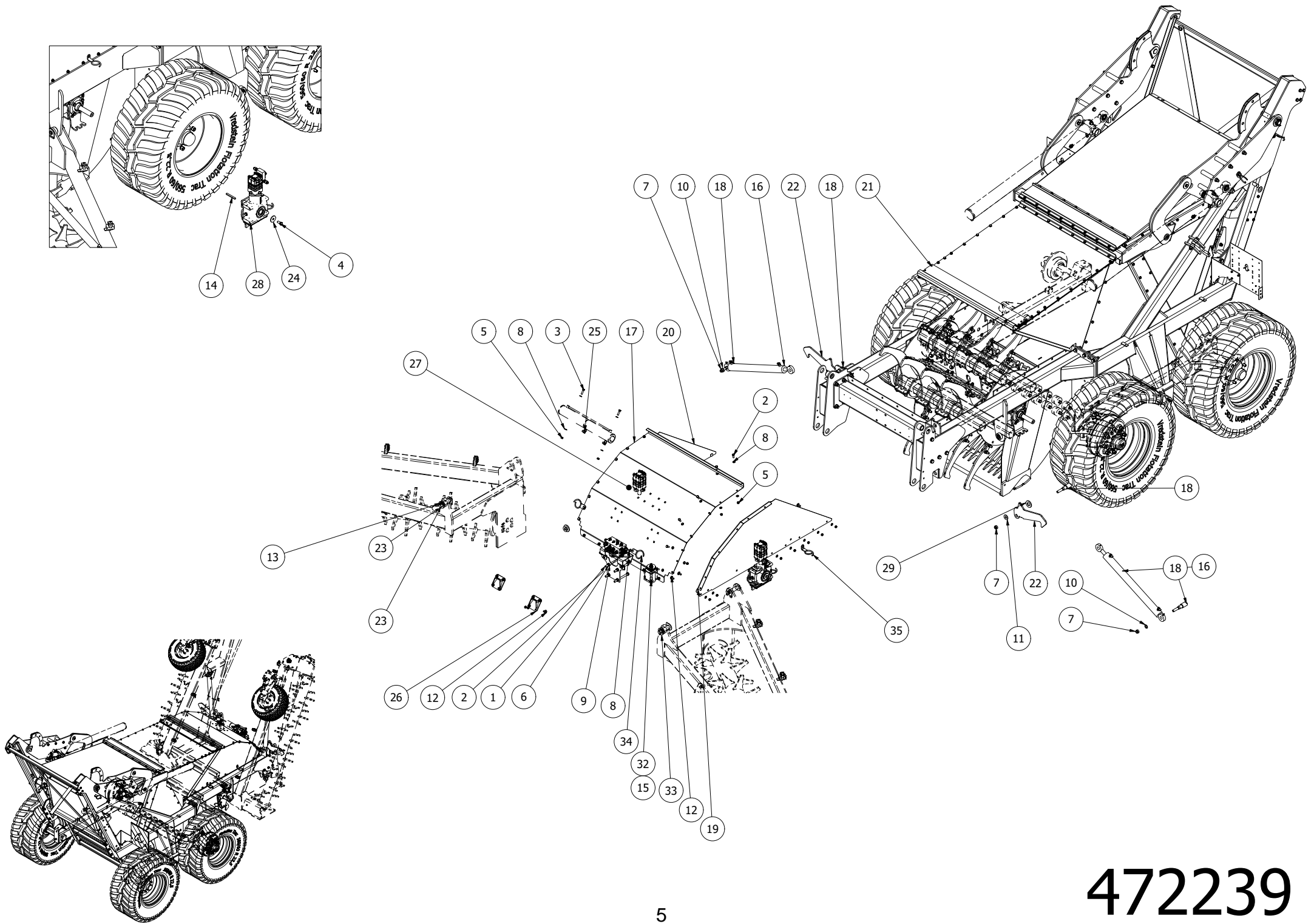


## 472274

| Pos | Name           | Nahme            | Benämning          | Nimike               | Specification         | NO     | Pcs |
|-----|----------------|------------------|--------------------|----------------------|-----------------------|--------|-----|
| 1   | Screw          | Schraube         | 6-k Skruv dg       | Kuusioruuvi          | DIN 931 8.8 M12x45 ZN | 130325 | 2   |
| 2   | Nut            | Muttern          | Låsmutter          | Lukitusmutteri       | DIN 985-8 M12 ZN      | 131600 | 2   |
| 3   | Nut            | Muttern          | Låsmutter          | Lukitusmutteri       | DIN 985-8 M20 ZN      | 131635 | 2   |
| 4   | Washer         | Scheibe          | Bricka             | Aluslaatta           | DIN 125A M12/13 ZN    | 131790 | 4   |
| 5   | Washer         | Scheibe          | Bricka             | Aluslaatta           | DIN 125A M20/21 ZN    | 131830 | 2   |
| 6   | Spring pin     | Spannhülsen      | Rörsprint          | Jousisokka           | DIN 1481 12X60 ZN     | 132890 | 2   |
| 7   | Grease nipple  | Smiernippel      | Smörjnippa         | Voitelunippa         | M6x1                  | 140950 | 4   |
| 8   | Pin            | Zapfen           | Tapp               | Tappi                |                       | 472111 | 2   |
| 9   | Frame assembly | Rahmen Baugrupp  | Ram, Montering 5   | runko kokoonpano     |                       | 472239 | 1   |
| 10  | Spacer         | Distantz         | Distans            | Väliholkki           |                       | 472273 | 4   |
| 11  | Cylinder assy  | Zylinder Baugrup | Cylinder montering | Sylinteri kokoonpano |                       | 472418 | 2   |
| 12  | Drawbar        | Drehbare         | dragbom            | Vetopuomi            |                       | 473580 | 1   |
| 13  | Pin            | Zapfen           | Tapp               | Tappi                | Ø=40 M20              | 506846 | 2   |
| 14  | Spacer         | Distantz         | Distans            | Väliholkki           | 12x8                  | 534333 | 2   |
| 15  | Cylinder pin   | Zylinder Zapfen  | Cylindertapp       | Sylinteri tappi      | D=35 L=62             | 562852 | 2   |
| 16  | Washer         | Scheibe          | Bricka D=35        | Aluslaatta           |                       | 565295 | 2   |



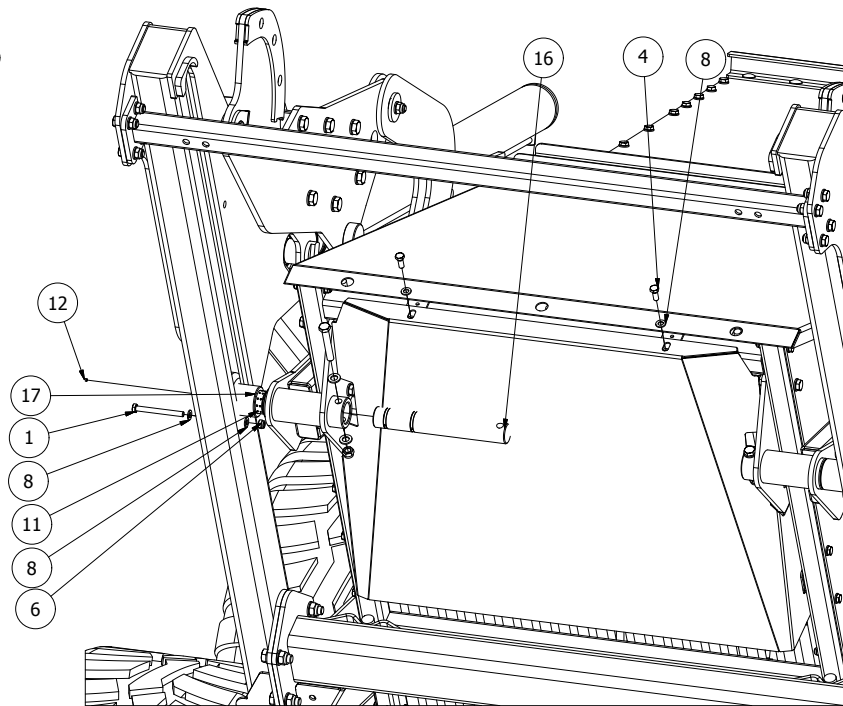
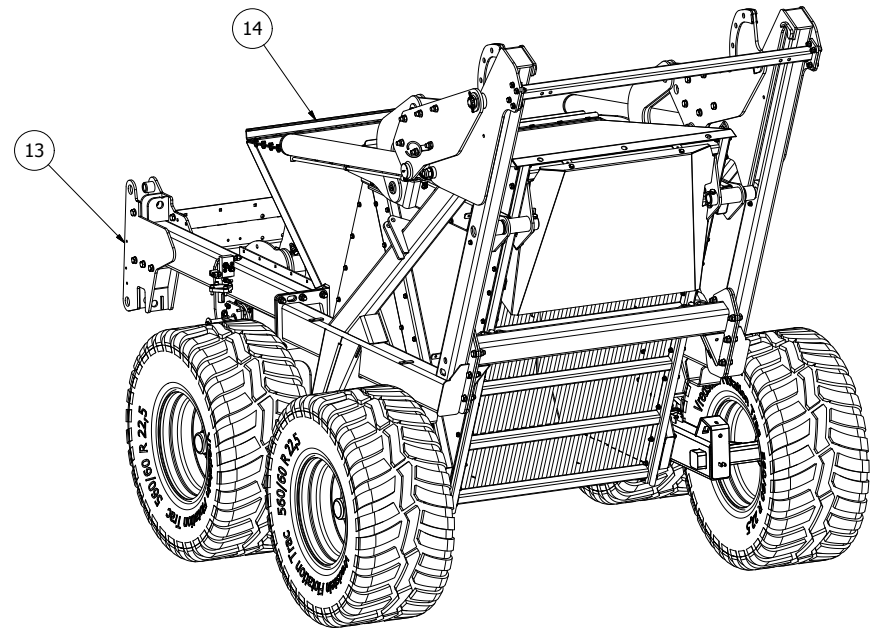
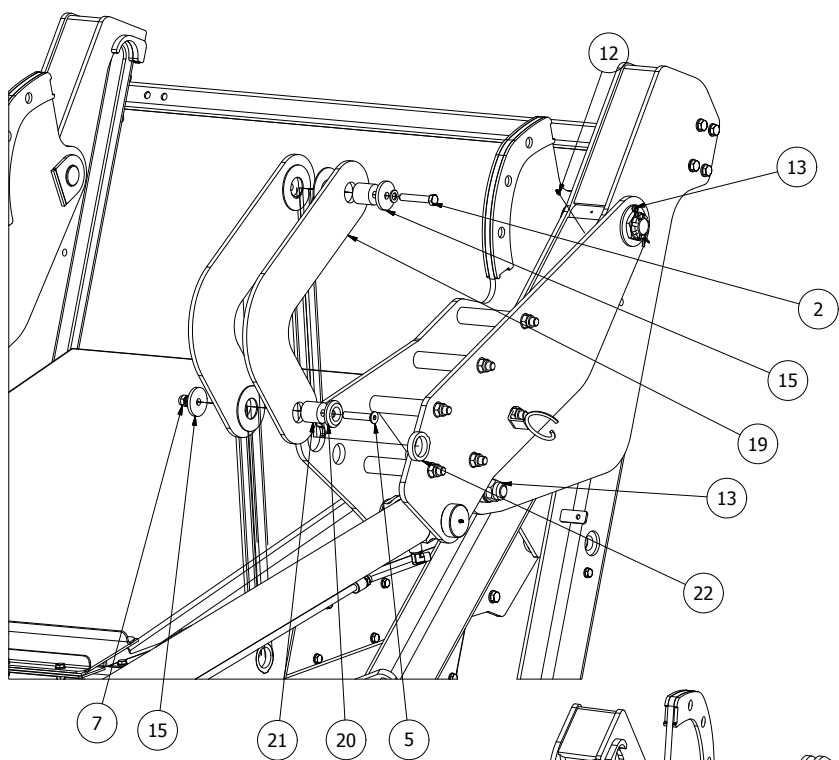
| 472238 |                |                      |                          |                  |                        |        |     |
|--------|----------------|----------------------|--------------------------|------------------|------------------------|--------|-----|
| Pos    | Name           | Nahme                | Benämning                | Nimike           | Specifikation          | NO     | Pcs |
| 1      | Screw          | Schraube             | 6-K Skruv Dg             | Kuusioruuvi      | DIN 931 8.8 M16x100 Zn | 130538 | 2   |
| 2      | Screw          | Schraube             | 6-K Skruv Dg             | Kuusioruuvi      | DIN 931 8.8 M20x120 Zn | 130571 | 2   |
| 3      | Screw          | Schraube             | 6-K Skruv Dg             | Kuusioruuvi      | DIN 931 8.8 M16x150 Zn | 130585 | 2   |
| 4      | Screw          | Schraube             | 6-K Skruv Dg             | Kuusioruuvi      | DIN 931 8.8 M16x140 Zn | 130590 | 2   |
| 5      | Nut            | Muttern              | Låsmutter                | Lukitusmutteri   | DIN 985-8 M16 Zn       | 131630 | 6   |
| 6      | Nut            | Muttern              | Låsmutter                | Lukitusmutteri   | DIN 985-8 M20 Zn       | 131635 | 2   |
| 7      | Washer         | Scheibe              | Bricka                   | Aluslaatta       | DIN 125A M16/17 Zn     | 131810 | 12  |
| 8      | Washer         | Scheibe              | Bricka                   | Aluslaatta       | DIN 125A M20/21 Zn     | 131830 | 4   |
| 9      | Spacer         | Distantz             | Distans                  | Väliholkki       |                        | 413416 | 4   |
| 10     | Frame assembly | Rahmen Baugrupp      | Ram, montering 3         | Runko kokoonpano |                        | 472221 | 1   |
| 11     | Stop latch     | Stopverriegelung     | Stoppfake                | Pidike           |                        | 472291 | 2   |
| 12     | Lightning kit  | Beleuchtungssatz     | Belysningsserie          | Valosarja        |                        | 472425 | 1   |
| 13     | Strut          | Strebe               | Snedstag                 | Kannattimet      |                        | 472530 | 2   |
| 14     | Hose clamp     | Schlauch befestigung | Slanghållare vid dragbom | Letkun pidike    |                        | 805430 | 2   |



472239

## 472239

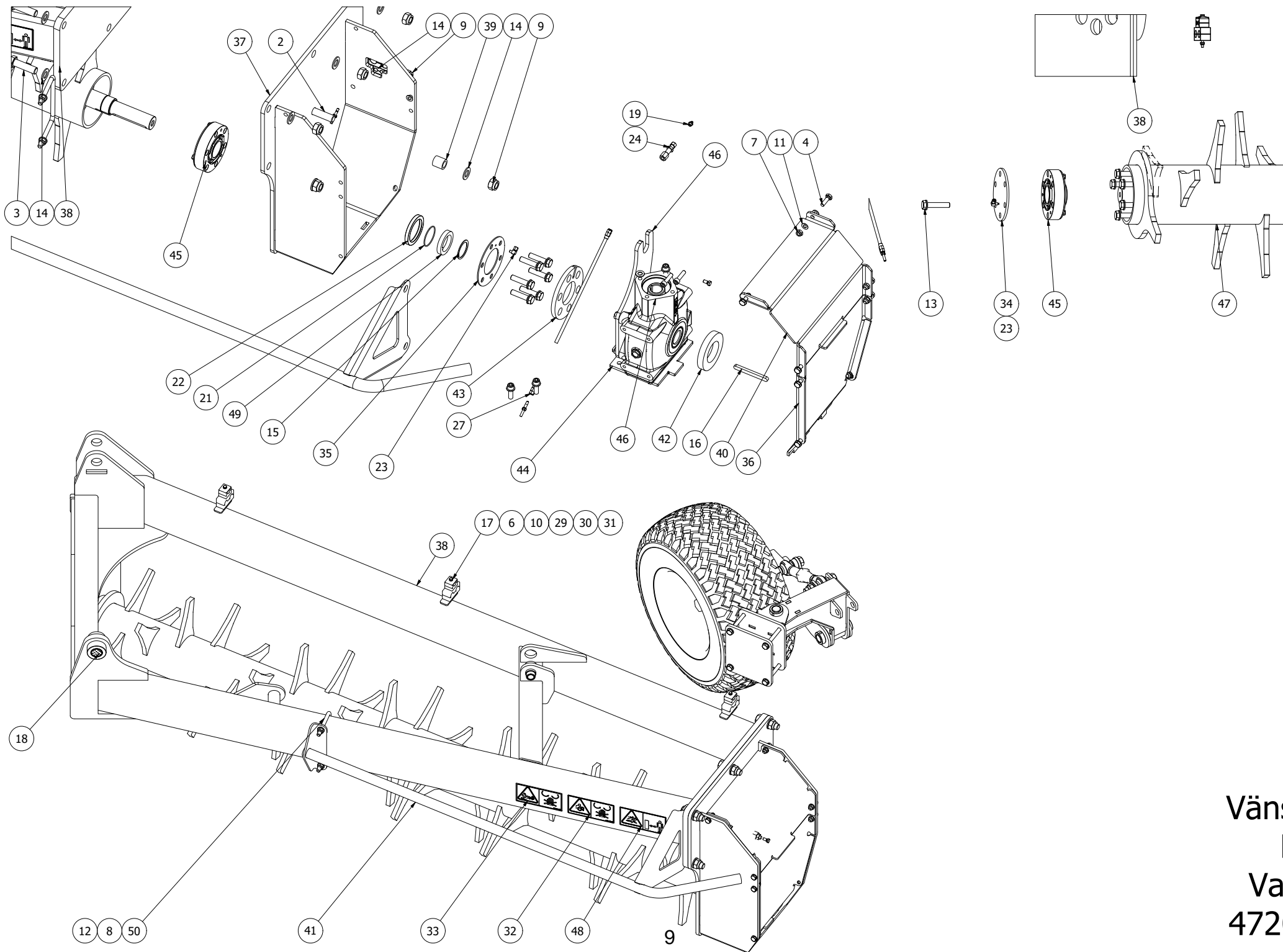
| Pos | Name                      | Nahme                   | Benämning                        | Nimike                | Specification           | NO     | Pcs |
|-----|---------------------------|-------------------------|----------------------------------|-----------------------|-------------------------|--------|-----|
| 1   | Screw                     | Schraube                | 6-k Skruv dg                     | Kuusioruuvi           | DIN 931 8.8 M16X180 ZNC | 130595 | 4   |
| 2   | Screw                     | Schraube                | 6-k Skruv hg                     | Kuusioruuvi           | DIN 933 8.8 M12X30 ZNC  | 130971 | 16  |
| 3   | Screw                     | Schraube                | 6-k Skruv hg                     | Kuusioruuvi           | DIN 933 8.8 M12X45 ZN   | 131005 | 2   |
| 4   | Screw                     | Schraube                | 6-k Skruv hg                     | Kuusioruuvi           | DIN 933 8.8 M16X35 ZN   | 131165 | 2   |
| 5   | Nut                       | Muttern                 | Låsmutter                        | Lukitusmutteri        | DIN 985-8 M12 ZN        | 131600 | 48  |
| 6   | Nut                       | Muttern                 | Låsmutter                        | Lukitusmutteri        | DIN 985-8 M16 ZN        | 131630 | 4   |
| 7   | Nut                       | Muttern                 | Låsmutter                        | Lukitusmutteri        | DIN 985-8 M20 ZN        | 131635 | 4   |
| 8   | Washer                    | Scheibe                 | Bricka                           | Aluslaatta            | DIN 125A M12/13 ZN      | 131790 | 66  |
| 9   | Washer                    | Scheibe                 | Bricka                           | Aluslaatta            | DIN 125A M16/17 ZN      | 131810 | 8   |
| 10  | Washer                    | Scheibe                 | Bricka                           | Aluslaatta            | DIN 125A M20/21 ZN      | 131830 | 2   |
| 11  | Washer                    | Scheibe                 | Karosseribricka                  | Korialuslevy          | DIN 6340 M20/21X50X6    | 131961 | 2   |
| 12  | Cup bolts                 | Flachrundschrabe        | Låsskruv                         | Lukkoruuvi            | DIN 603 8.8 M12x30 ZN   | 132719 | 30  |
| 13  | Spring pin                | Spannhülsen             | Rörsprint                        | Jousisokka            | DIN 1481 10X60 ZN       | 132870 | 4   |
| 14  | Spline                    | Keile                   | Flatkil                          | Laattakiila           | DIN 6885 A 12x8x110     | 132982 | 2   |
| 15  | Oil can                   | Ölbehälter              | Oljebehållare                    | Öljysäiliö            | Med övertrycksventil    | 143065 | 1   |
| 16  | Cylinder                  | Zylinder                | Cylinder                         | Sylinter              | Ø63/30 947 -x660        | 146758 | 2   |
| 17  | Hood                      | Haube                   | Mantelplåt                       | Suojapelti            |                         | 472040 | 1   |
| 18  | Pin                       | Zapfen                  | Tapp                             | Tappi                 | d=30                    | 472085 | 4   |
| 19  | side cover left           | Seitenplatte links      | Sidoplåt                         | sivupelti vasen       | Vänster                 | 472236 | 1   |
| 20  | side cover right          | Seitenplatte recht      | Sidoplåt                         | sivupelti oikea       | Höger                   | 472237 | 1   |
| 21  | Frame assembly            | Rahmen Baugrupp         | Ram, Montering 4                 | runko kokoonpano      |                         | 472238 | 1   |
| 22  | Hook                      | Riegelhaken             | Låshake                          | Lukitushaka           |                         | 472265 | 2   |
| 23  | Pin                       | Tapp                    | Tapp                             | Tappi                 | d=35 L= x22             | 472270 | 4   |
| 24  | Washer                    | Scheibe                 | Bricka                           | Aluslaatta            | d=x7/60                 | 472286 | 2   |
| 25  | Cylinder assy             | Zylinder Baugrup        | Cylinder montering               | Sylinteri kokoonpano  |                         | 472388 | 1   |
| 26  | Cylinder bracket          | Zylinder befestigung    | Cylinderfäste                    | Sylinteri kiinnike    |                         | 472392 | 2   |
| 27  | Hydraulic motor, mounting | Hydraul Motor, Baugrupp | Rotormotor, höger förmontering   | Hydrauliikka moottori |                         | 472551 | 1   |
| 28  | Hydraulic motor, mounting | Hydraul Motor, Baugrupp | Rotormotor, vänster förmontering | Hydrauliikka moottori |                         | 472552 | 1   |
| 29  | Washer                    | Scheibe                 | Bricka                           | Aluslaatta            |                         | 472584 | 2   |
| 30  | Bracket                   | Befestigung             | Fästplåt                         | Kiinnike              | PVG-32                  | 472803 | 1   |
| 31  | Hydraulic                 | Hydraulik               | Hydraulik                        | Hydrauliikka          | förmontering            | 472805 | 1   |
| 32  | Bracket                   | Befestigung             | Fäste                            | Kiinnike              |                         | 473535 | 1   |
| 33  | Washer                    | Scheibe                 | Bricka D=35                      | Aluslaatta            |                         | 565295 | 4   |
| 34  | Hose clamp                | Schlauch halter         | Slanghållare                     | Letkupidikesilmukka   |                         | 805220 | 2   |
| 35  | Hose clamp                | Schlauch befestigung    | Slanghållare vid dragbom         | Letkun pidike         |                         | 805430 | 4   |



472221



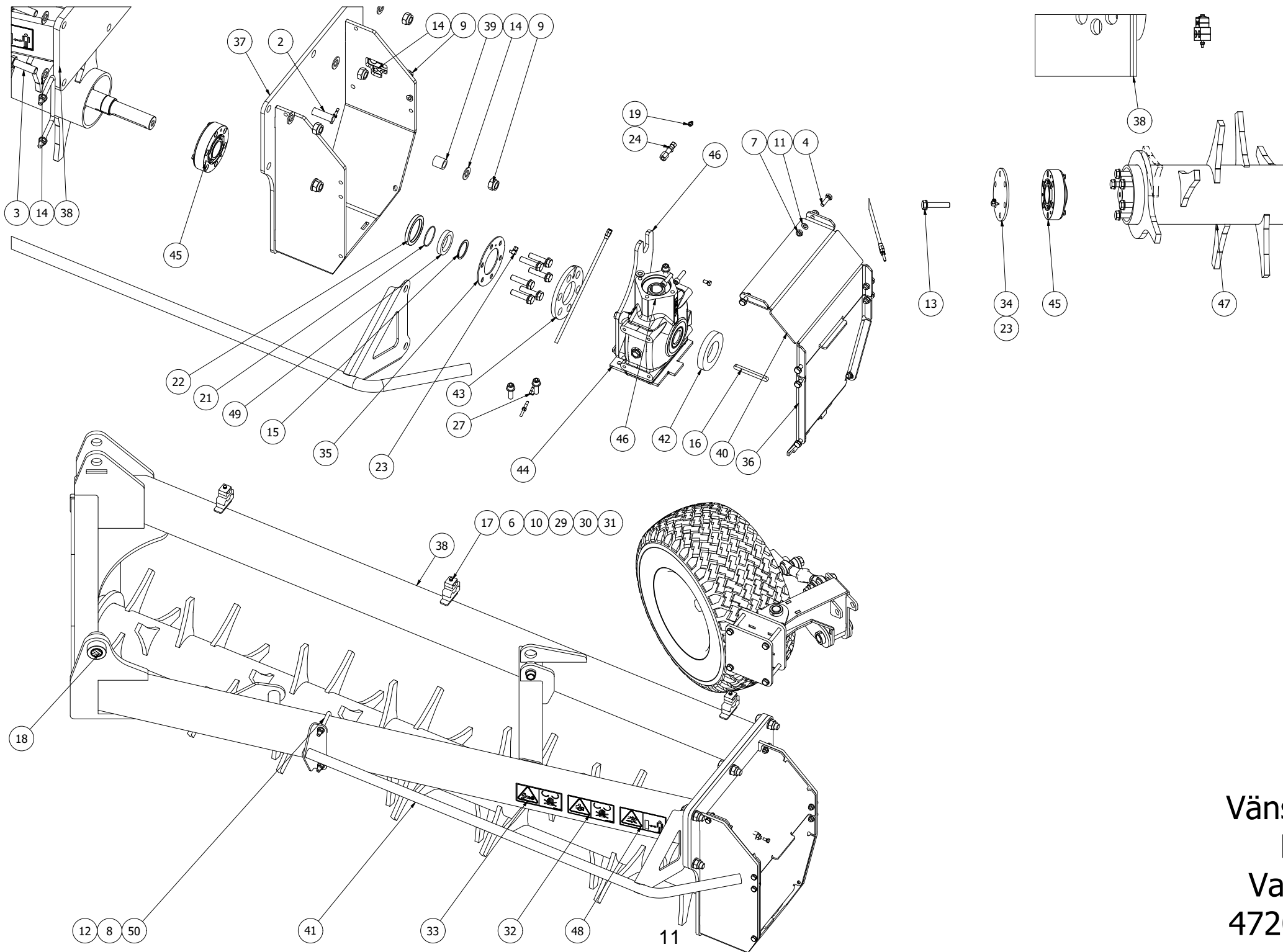
| 472221 |                 |                  |                             |                    |                        |        |     |
|--------|-----------------|------------------|-----------------------------|--------------------|------------------------|--------|-----|
| Pos    | Name            | Nahme            | Benämning                   | Nimike             | Specifikation          | NO     | Pcs |
| 1      | Screw           | Schraube         | 6-K Skruv Dg                | Kuusioruuvi        | DIN 931 8.8 M12x120 Zn | 130430 | 2   |
| 2      | Screw           | Schraube         | 6-K Skruv Dg                | Kuusioruuvi        | DIN 931 8.8 M16x90 Zn  | 130535 | 2   |
| 3      | Screw           | Schraube         | 6-K Skruv Dg                | Kuusioruuvi        | DIN 931 8.8 M16x100 Zn | 130538 | 2   |
| 4      | Screw           | Schraube         | 6-K Skruv Hg                | Kuusioruuvi        | DIN 933 8.8 M12x30 Znc | 130971 | 2   |
| 5      | Flat head screw | Senkschrauben    | I-6 Skruv sänkt DIN 7991 10 | 6-koloruuvi uppok. | M16x90 ZN              | 131378 | 2   |
| 6      | Nut             | Muttern          | Låsmutter                   | Lukitusmutteri     | DIN 985-8 M12 Zn       | 131600 | 2   |
| 7      | Nut             | Muttern          | Låsmutter                   | Lukitusmutteri     | DIN 985-8 M16 Zn       | 131630 | 6   |
| 8      | Washer          | Scheibe          | Bricka                      | Aluslaatta         | DIN 125A M12/13 Zn     | 131790 | 6   |
| 9      | Washer          | Scheibe          | Bricka                      | Aluslaatta         | DIN 125A M16/17 Zn     | 131810 | 10  |
| 10     | Shims           | Ausgleichscheibe | Passbricka                  | Sovitelaatta       | DIN 988 50x62x3 Härdad | 132415 | 1   |
| 11     | Plain bearing   | Gleitlager       | Glidlager                   | Liukulaakeri       | Ø 50/55 L=50 COB092    | 140071 | 2   |
| 12     | Grease nipple   | Smiernippel      | Smörjnippa                  | Voitelunippa       | M6x1                   | 140950 | 4   |
| 13     | Frame assembly  | Rahmen Baugrupp  | Ram, montering 2            | Runko kokoonpano   |                        | 472209 | 1   |
| 14     | Container       | Behälter         | Behållare                   | Såiliö             | Montering 2            | 472232 | 1   |
| 15     | Washer          | Scheibe          | Bricka                      | Aluslaatta         |                        | 472235 | 6   |
| 16     | Schaft          | Zapfe            | Ledtapp                     | Niveltappi.        |                        | 472271 | 2   |
| 17     | Roll            | rolle            | Glidrulle                   | Rulla              |                        | 472353 | 2   |
| 18     | Collecting box  | Büchse           | Samlarlåda                  | Keräilylaatikko    |                        | 472367 | 1   |
| 19     | Linkage arm     | Strebe           | Stag                        | Vetovarsi          |                        | 472536 | 4   |
| 20     | Wascher         | Scheibe          | Bricka                      | Aluslaatta         |                        | 472587 | 2   |
| 21     | Pin             | Zapfen           | Ledtapp                     | Tappi              |                        | 472591 | 4   |
| 22     |                 |                  | Hålförstärkning             |                    |                        | 472680 | 4   |
| 23     |                 |                  | Shims                       |                    |                        | 472682 | 8   |



Vänster  
 Left  
 Vasen  
 472030

## 472030

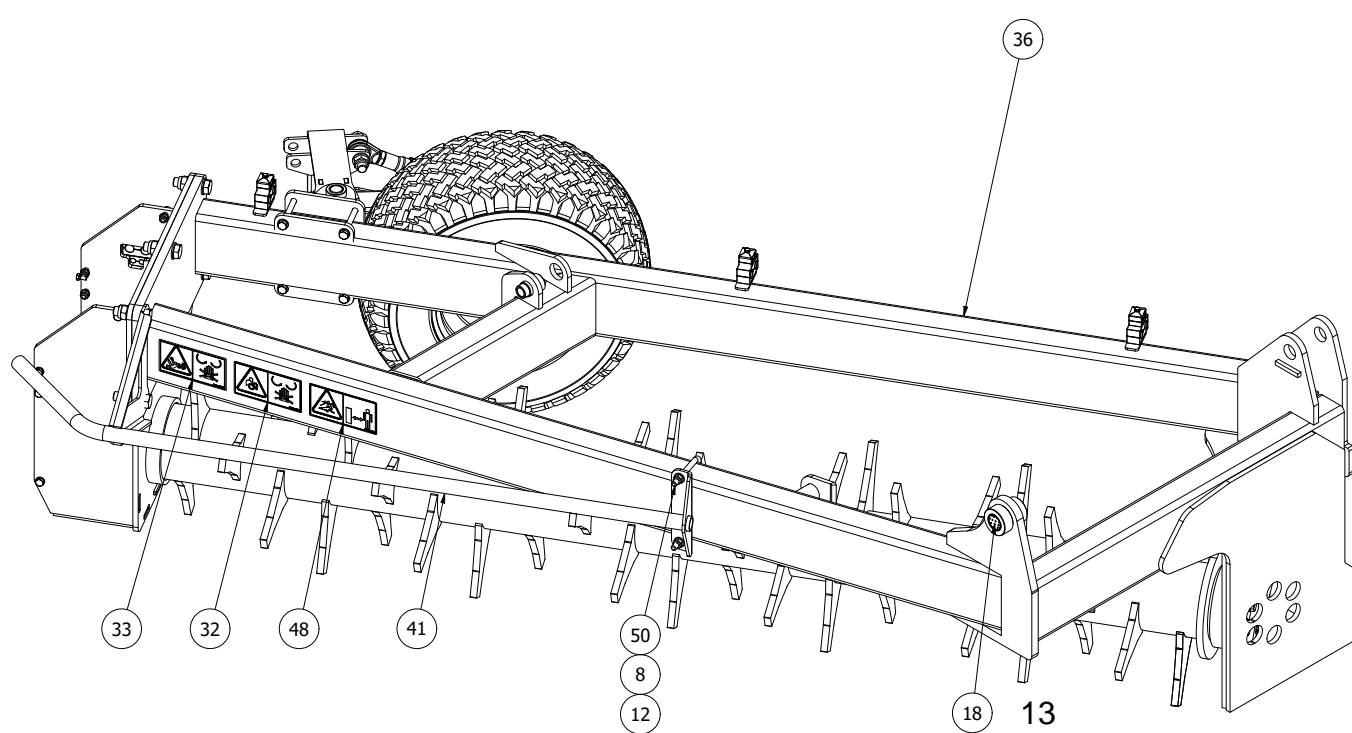
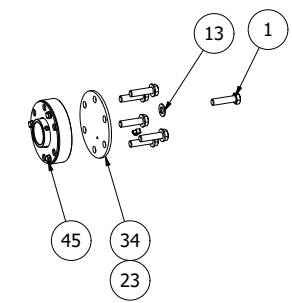
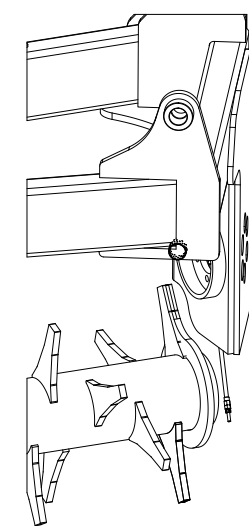
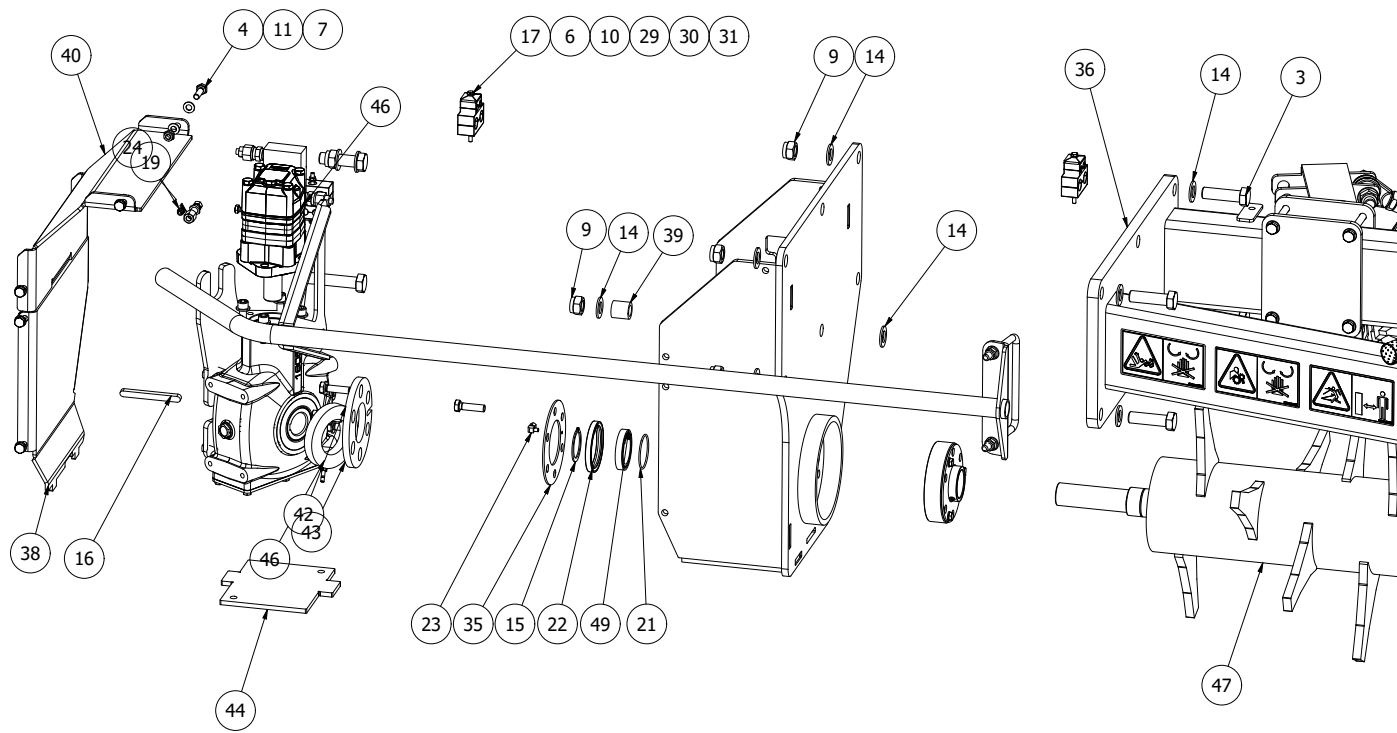
| Pos | Name                         | Nahme                 | Benämning                        | Nimike                      | Specification                 | NO     | Pcs |
|-----|------------------------------|-----------------------|----------------------------------|-----------------------------|-------------------------------|--------|-----|
| 1   | Screw                        | Schraube              | 6-k Skruv dg                     | Kuusioruuvi                 | DIN 931 8.8 M14X70 ZN         | 130488 | 6   |
| 2   | Screw                        | Schraube              | 6-k Skruv dg                     | Kuusioruuvi                 | DIN 931 8.8 M20X100 ZN        | 130575 | 1   |
| 3   | Screw                        | Schraube              | 6-k Skruv dg                     | Kuusioruuvi                 | DIN 931 8.8 M20x70 ZN         | 130597 | 5   |
| 4   | Screw                        | Schraube              | 6-k Skruv hg                     | Kuusioruuvi                 | DIN 933 8.8 M10X35 ZN         | 130900 | 8   |
| 5   | Screw                        | Schraube              | 6-k Skruv hg                     | Kuusioruuvi                 | DIN 933 8.8 M14X60 ZN         | 131112 | 6   |
| 6   | Nut                          | Muttern               | Låsmutter                        | Lukitusmutteri              | DIN 985-8 M6 ZN               | 131560 | 4   |
| 7   | Nut                          | Muttern               | Låsmutter                        | Lukitusmutteri              | DIN 985-8 M10 ZN              | 131580 | 8   |
| 8   | Nut                          | Muttern               | Låsmutter                        | Lukitusmutteri              | DIN 985-8 M12 ZN              | 131600 | 2   |
| 9   | Nut                          | Muttern               | Låsmutter                        | Lukitusmutteri              | DIN 985-8 M20 ZN              | 131635 | 6   |
| 10  | Washer                       | Scheibe               | Bricka                           | Aluslaatta                  | DIN 125A M6/6.4 ZN            | 131730 | 8   |
| 11  | Washer                       | Scheibe               | Bricka                           | Aluslaatta                  | DIN 125A M10/10.5 ZN          | 131770 | 16  |
| 12  | Washer                       | Scheibe               | Bricka                           | Aluslaatta                  | DIN 125A M12/13 ZN            | 131790 | 2   |
| 13  | Washer                       | Scheibe               | Bricka                           | Aluslaatta                  | DIN 125A M14/15 ZN            | 131805 | 12  |
| 14  | Washer                       | Scheibe               | Bricka                           | Aluslaatta                  | DIN 125A M20/21 ZN            | 131830 | 12  |
| 15  | Seeger ring                  | Sicherüingring        | Låsring för axel                 | Varmistinrengas             | DIN 471 50X2                  | 132130 | 1   |
| 16  | Spline                       | Keile                 | Flatkil                          | Laattakiila                 | DIN 6885 A 12x8x110           | 132982 | 1   |
| 17  | Screw                        | Schraube              | 6-k Skruv dg                     | Kuusioruuvi                 | DIN 931 8.8 M6X90 ZN          | 136097 | 4   |
| 18  | Plain bearing                | Gleitlager 35/39 l=20 | Glidlager                        | Liukulaakeri                | Ø 35/39 L=40 COB092           | 140086 | 1   |
| 19  | Grease nipple                | Smiernippel           | Smörjnippa                       | Voitelunippa                | M10x1                         | 140954 | 2   |
| 20  | Hydraulic hose               | Hydraulikschlauch     | Hydraulslang                     | Hydrauliiletu               | 1/4" L=2250 1/4"-1/4"         | 144181 | 1   |
| 21  | O-ring                       | O-ring                | O-ring Ø57x2,5                   | O-rengas                    | NBR70                         | 144433 | 1   |
| 22  | Oilseal                      | Öl dichtung           | Axeltätning                      | Öljytiiviste                | Ø70x90x10 BASL (9020.468.000) | 144943 | 1   |
| 23  | Angleplug M6x90              | Winkelstecker M6x90   | Vinkelkontakt M6x90              | kulmapistoke M6x90          | 106-101                       | 145003 | 2   |
| 24  | plug                         | Stecker               | Genomföringskontakt M10          | pistoke                     | 106-243-L                     | 145004 | 2   |
| 25  | Hydraulic hose               | Hydraulikschlauch     | Hydraulslang                     | Hydrauliiletu               | 1/2 L=3900 1/2 rak 1/2 rak    | 145014 | 1   |
| 26  | Hydraulic hose               | Hydraulikschlauch     | Hydraulslang                     | Hydrauliiletu               | 1/2 L=5900 1/2 rak 1/2 rak    | 145023 | 1   |
| 27  | Preassembly                  | Baugrupp              | Förmontering                     | esiasennus                  | Smörjslang                    | 145216 | 2   |
| 28  | Hydraulic hose               | Hydraulikschlauch     | Hydraulslang                     | Hydrauliiletu               | 1/4" L=1550 1/4" - 1/4"       | 145467 | 1   |
| 29  | Bracket for pipes            | Rohrschelle, doppelt  | Rörhållare, dubbel               | Kaksoisputkenkiinnike       | Ø12mm DS112/12                | 147180 | 8   |
| 30  | Cover plate                  | Befestigung platte    | Täckplatta                       | Peitelevy                   | DPDS-1                        | 147182 | 4   |
| 31  | Bracket for pipes            | Rohrschelle           | Rörhållare D=20                  | Putkenkiinnike              | AD3 20-20 Poly propen         | 147232 | 8   |
| 32  | Transmission warning sticker | Schutzwarnung         | Varningsdekal för transmission   | Voimansiirron varoitustarra |                               | 149113 | 1   |
| 33  | Safety decals                | Schutzwarnung         | Varningsdekal för roterande elen | Varoituserkki               |                               | 149117 | 1   |
| 34  | Cover plate                  | Abdeckplatte          | Täckplåt Inner                   | Peitelevy                   |                               | 472029 | 1   |
| 35  | Coverplate                   | Abdeckplatte          | Täckplåt                         | Peitelevy                   |                               | 472031 | 1   |
| 36  | Motor cover                  | Motor schuts          | Motorskyddsplåt Ytter            | Mootorinsuoja               |                               | 472039 | 1   |
| 37  | Adjust plate                 | Abdeckungsblech       | Ändgavel, vänster                | sivupelti                   |                               | 472112 | 1   |
| 38  | Raking frame left            | raking Rahmen links   | Strängläggningssram, Vänster     | Haravointi runko vasen      |                               | 472126 | 1   |
| 39  | Spacer                       | Distantz              | Distans                          | Väliholkki                  | d=20                          | 472263 | 1   |
| 40  | Motor cover                  | Motor schuts          | Motorskyddsplåt Övre             | Mootorinsuoja               |                               | 472264 | 1   |



Vänster  
 Left  
 Vasen  
 472030

## 472030

| Pos | Name                         | Nahme                 | Benämning                       | Nimike                             | Specification     | NO     | Pcs |
|-----|------------------------------|-----------------------|---------------------------------|------------------------------------|-------------------|--------|-----|
| 41  | Frontframe                   | Vornerahmen           | Främre skyddsåge                | Etukaari                           |                   | 472437 | 1   |
| 42  | Oil seal                     | Öl dichtung           | Dammskydd Ø 115, växellåda      | Öljytiiviste                       |                   | 472449 | 1   |
| 43  | Oil seal                     | Öl dichtung           | Dammskydd Ø 160, Växellåda      | Öljytiiviste                       |                   | 472450 | 1   |
| 44  | Coverplate                   | Abdeckplatte          | Täckplåt                        | Peitelevy                          |                   | 472676 | 1   |
| 45  | Bearing                      | Lager                 | Flänslager                      | Laippalaakeri                      | förmontering      | 472802 | 2   |
| 46  | Pre-assembly                 | Vormontage            | Förmontering drivning           | Esiusennus                         | Vänster           | 472848 | 1   |
| 47  | Rotor                        | Rad                   | Rotor Vänster                   | Roottori                           | längre tinnar     | 473515 | 1   |
| 48  | Warning for stone projektion | Steinschleuderwarnung | Varning, stenskott håll avstånd | Varoitus kiveniskuista pidä etäisy |                   | 508652 | 1   |
| 49  | Washer                       | Scheibe               | Kilspårsbricka för axeltät      | Aluslaatta                         | D=50              | 559344 | 1   |
| 50  | U-bracket                    | U-bolzen              | U-Bult 12Mm (Fästbygel)         | U-pultti                           | för x60 x 80 balk | 808194 | 1   |

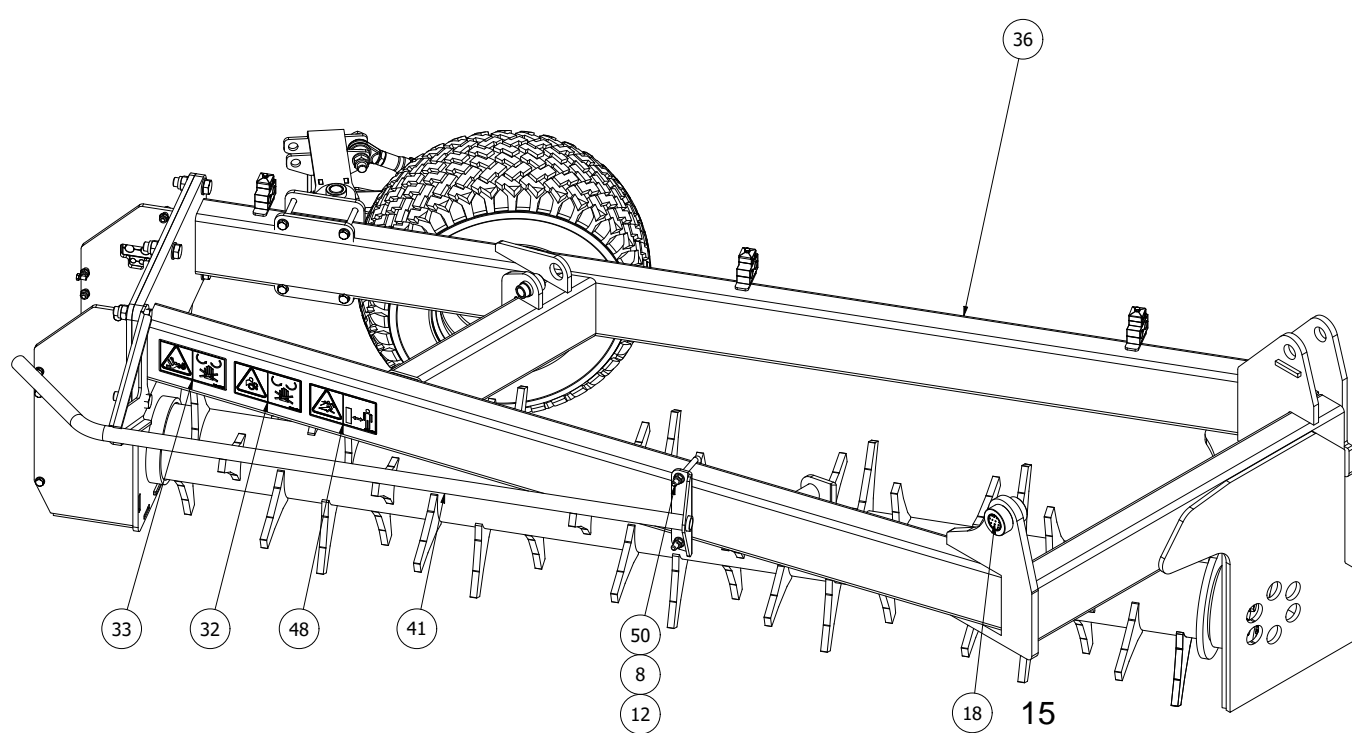
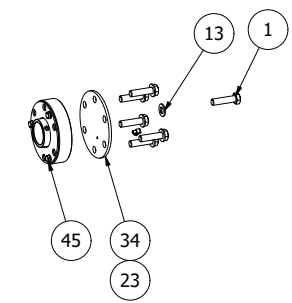
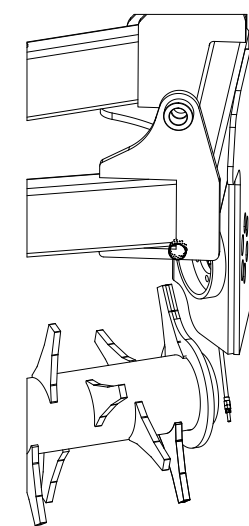
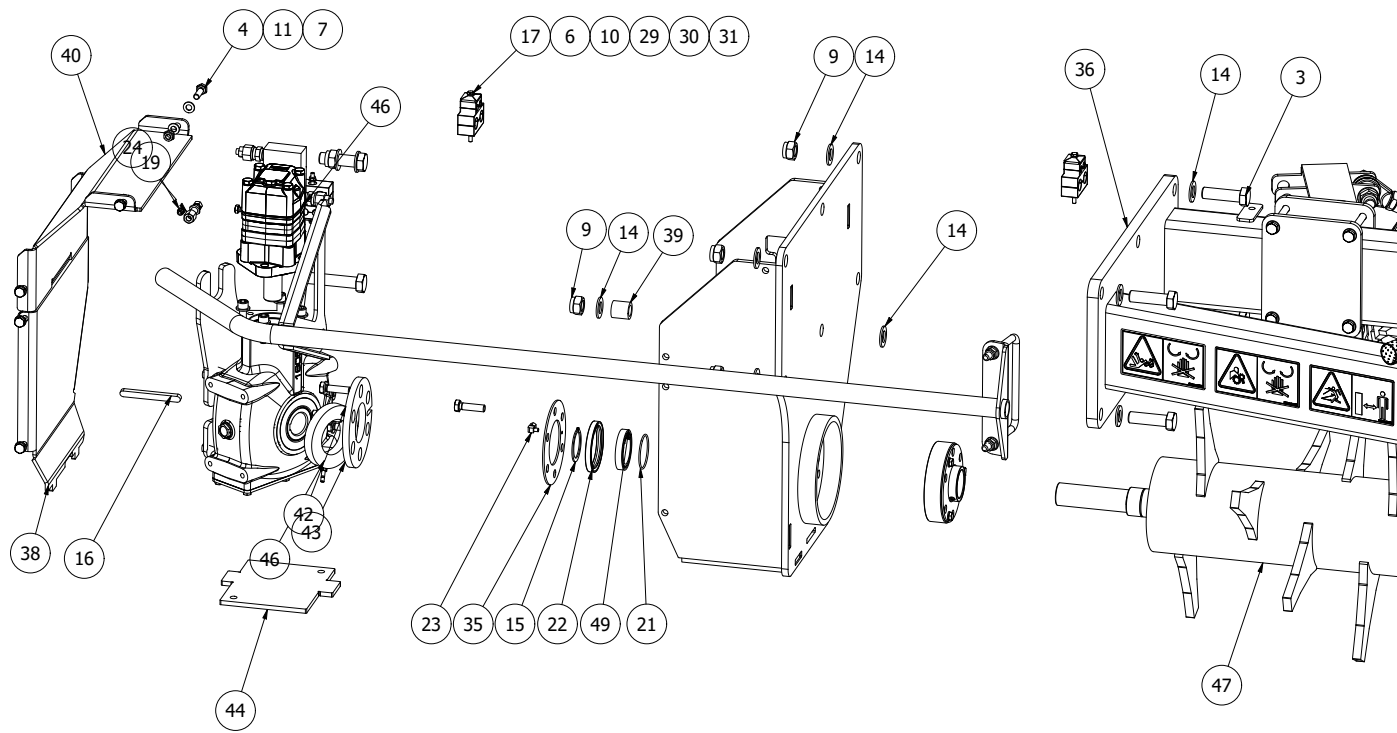


Right  
 Recht  
 Höger  
 Oikea  
**472130**



## 472130

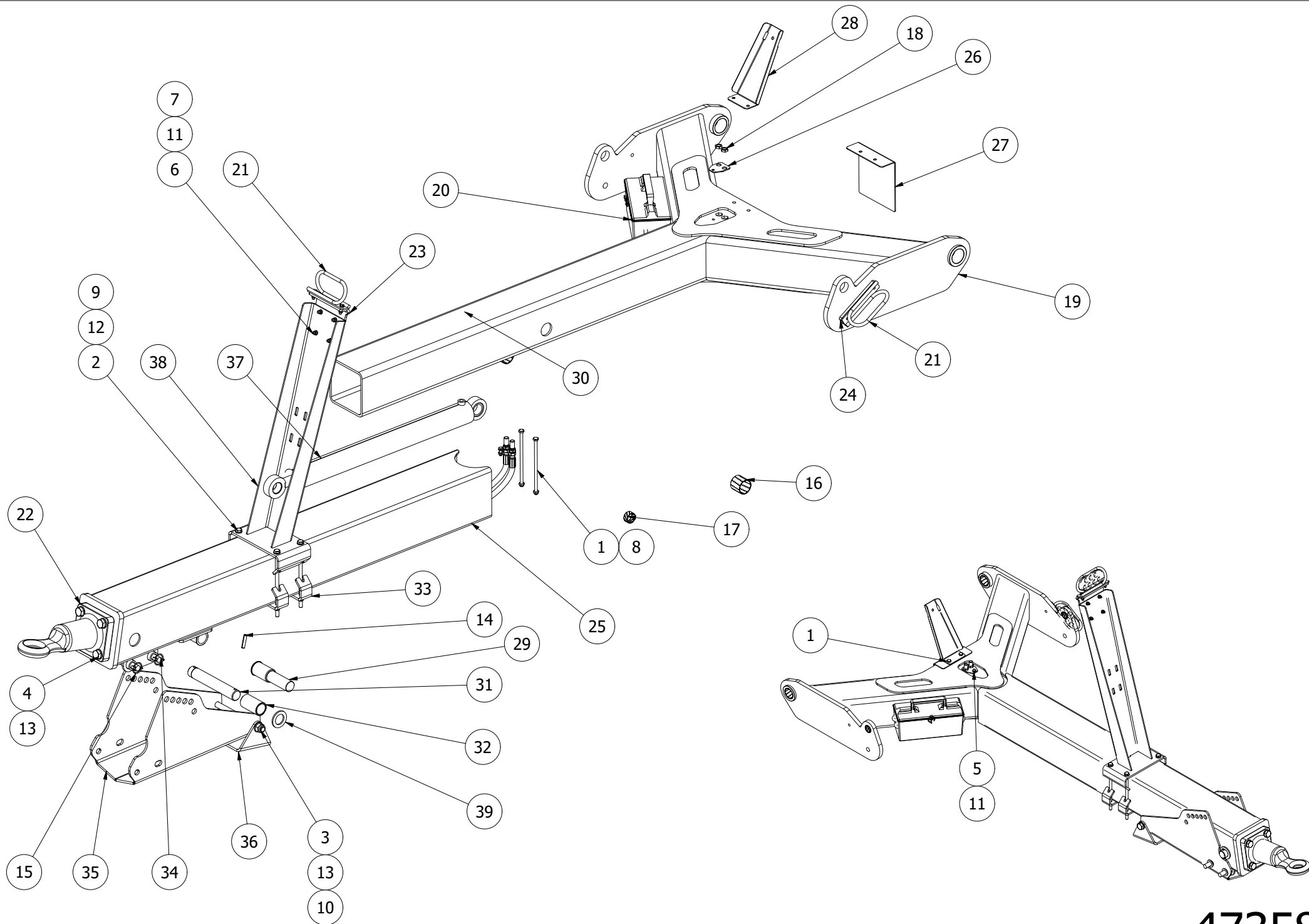
| Pos | Name                         | Nahme                 | Benämning                        | Nimike                      | Specification                 | NO     | Pcs |
|-----|------------------------------|-----------------------|----------------------------------|-----------------------------|-------------------------------|--------|-----|
| 1   | Screw                        | Schraube              | 6-k Skruv dg                     | Kuusioruuvi                 | DIN 931 8.8 M14X55 ZN         | 130480 | 6   |
| 2   | Screw                        | Schraube              | 6-k Skruv dg                     | Kuusioruuvi                 | DIN 931 8.8 M20X100 ZN        | 130575 | 1   |
| 3   | Screw                        | Schraube              | 6-k Skruv dg                     | Kuusioruuvi                 | DIN 931 8.8 M20x70 ZN         | 130597 | 5   |
| 4   | Screw                        | Schraube              | 6-k Skruv hg                     | Kuusioruuvi                 | DIN 933 8.8 M10X35 ZN         | 130900 | 8   |
| 5   | Screw                        | Schraube              | 6-k Skruv hg                     | Kuusioruuvi                 | DIN 933 8.8 M12X45 ZN         | 131005 | 6   |
| 6   | Nut                          | Muttern               | Låsmutter                        | Lukitusmutteri              | DIN 985-8 M6 ZN               | 131560 | 4   |
| 7   | Nut                          | Muttern               | Låsmutter                        | Lukitusmutteri              | DIN 985-8 M10 ZN              | 131580 | 8   |
| 8   | Nut                          | Muttern               | Låsmutter                        | Lukitusmutteri              | DIN 985-8 M12 ZN              | 131600 | 2   |
| 9   | Nut                          | Muttern               | Låsmutter                        | Lukitusmutteri              | DIN 985-8 M20 ZN              | 131635 | 6   |
| 10  | Washer                       | Scheibe               | Bricka                           | Aluslaatta                  | DIN 125A M6/6.4 ZN            | 131730 | 8   |
| 11  | Washer                       | Scheibe               | Bricka                           | Aluslaatta                  | DIN 125A M10/10.5 ZN          | 131770 | 16  |
| 12  | Washer                       | Scheibe               | Bricka                           | Aluslaatta                  | DIN 125A M12/13 ZN            | 131790 | 8   |
| 13  | Washer                       | Scheibe               | Bricka                           | Aluslaatta                  | DIN 125A M14/15 ZN            | 131805 | 6   |
| 14  | Washer                       | Scheibe               | Bricka                           | Aluslaatta                  | DIN 125A M20/21 ZN            | 131830 | 12  |
| 15  | Seeger ring                  | Sicherüingring        | Låsring för axel                 | Varmistinrengas             | DIN 471 50X2                  | 132130 | 1   |
| 16  | Spline                       | Keile                 | Flatkil                          | Laattakiila                 | DIN 6885 A 12x8x110           | 132982 | 1   |
| 17  | Screw                        | Schraube              | 6-k Skruv dg                     | Kuusioruuvi                 | DIN 931 8.8 M6X90 ZN          | 136097 | 4   |
| 18  | Plain bearing                | Gleitlager 35/39 l=20 | Glidlager                        | Liukulaakeri                | Ø 35/39 L=40 COB092           | 140086 | 1   |
| 19  | Grease nipple                | Smiernippel           | Smörjnippa                       | Voitelunippa                | M10x1                         | 140954 | 2   |
| 20  | Hydraulic hose               | Hydraulikschlauch     | Hydraulslang                     | Hydrauliiletu               | 1/4" L=2250 1/4"-1/4"         | 144181 | 1   |
| 21  | O-ring                       | O-ring                | O-ring Ø57x2,5                   | O-rengas                    | NBR70                         | 144433 | 1   |
| 22  | Oilseal                      | Öl dichtung           | Axeltätning                      | Öljytiiviste                | Ø70x90x10 BASL (9020.468.000) | 144943 | 1   |
| 23  | Angleplug M6x90              | Winkelstecker M6x90   | Vinkelkontakt M6x90              | kulmapistoke M6x90          | 106-101                       | 145003 | 2   |
| 24  | plug                         | Stecker               | Genomföringskontakt M10          | pistoke                     | 106-243-L                     | 145004 | 2   |
| 25  | Hydraulic hose               | Hydraulikschlauch     | Hydraulslang                     | Hydrauliiletu               | 1/2 L=3900 1/2 rak 1/2 rak    | 145014 | 1   |
| 26  | Hydraulic hose               | Hydraulikschlauch     | Hydraulslang                     | Hydrauliiletu               | 1/2 L=5900 1/2 rak 1/2 rak    | 145023 | 1   |
| 27  | Preassembly                  | Baugrupp              | Förmontering                     | esiasennus                  | Smörjslang                    | 145216 | 2   |
| 28  | Hydraulic hose               | Hydraulikschlauch     | Hydraulslang                     | Hydrauliiletu               | 1/4" L=1550 1/4" - 1/4"       | 145467 | 1   |
| 29  | Bracket for pipes            | Rohrschelle, doppelt  | Rörhållare, dubbel               | Kaksoisputkenkiinnike       | Ø12mm DS112/12                | 147180 | 8   |
| 30  | Cover plate                  | Befestigung platte    | Täckplatta                       | Peitelevy                   | DPDS-1                        | 147182 | 4   |
| 31  | Bracket for pipes            | Rohrschelle           | Rörhållare D=20                  | Putkenkiinnike              | AD3 20-20 Poly propen         | 147232 | 8   |
| 32  | Transmission warning sticker | Schutzwarnung         | Varningsdekal för transmission   | Voimansiirron varoitustarra |                               | 149113 | 1   |
| 33  | Safety decals                | Schutzwarnung         | Varningsdekal för roterande elen | Varoituserkki               |                               | 149117 | 1   |
| 34  | Cover plate                  | Abdeckplatte          | Täckplåt Inner                   | Peitelevy                   |                               | 472029 | 1   |
| 35  | Coverplate                   | Abdeckplatte          | Täckplåt                         | Peitelevy                   |                               | 472031 | 1   |
| 36  | rakeframe right              | rakingRahmen recht    | Strängläggarram                  | haravarunko oikea           | Höger                         | 472048 | 1   |
| 37  | Adjust plate                 | Abdeckungsblech       | Ändgavel, höger                  | sivupelti                   |                               | 472129 | 1   |
| 38  | Motor cover                  | Motor schuts          | Motorskyddsplåt Ytter, höge      | Mootorinsuoja               |                               | 472131 | 1   |
| 39  | Spacer                       | Distantz              | Distans                          | Väliholkki                  | d=20                          | 472263 | 1   |
| 40  | Motor cover                  | Motor schuts          | Motorskyddsplåt Övre             | Mootorinsuoja               |                               | 472264 | 1   |



Right  
 Recht  
 Höger  
 Oikea  
**472130**

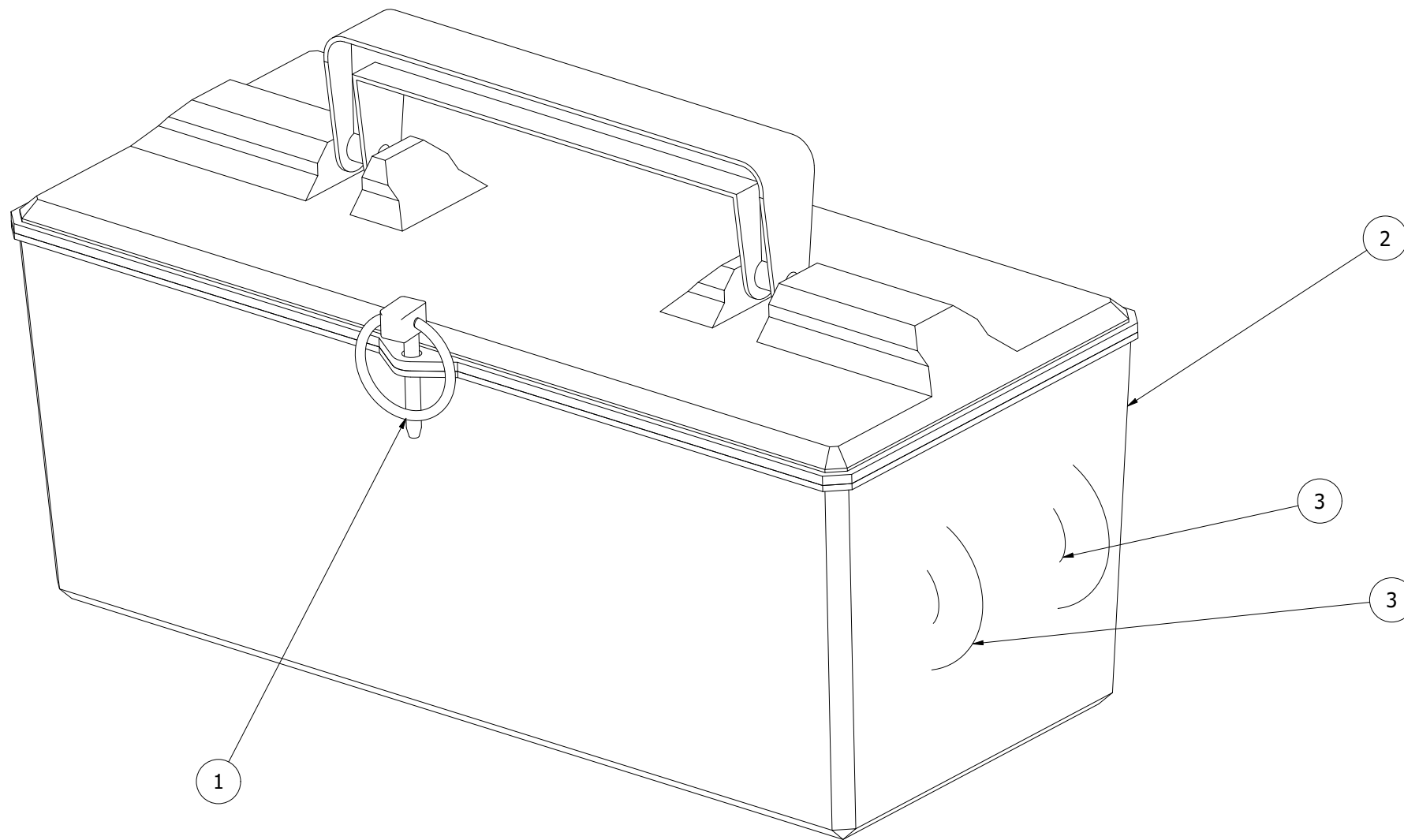
## 472130

| Pos | Name                         | Nahme                 | Benämning                       | Nimike                             | Specification     | NO     | Pcs |
|-----|------------------------------|-----------------------|---------------------------------|------------------------------------|-------------------|--------|-----|
| 41  | Frontframe                   | Vornerahmen           | Främre skyddsåge                | Etukaari                           |                   | 472437 | 1   |
| 42  | Oil seal                     | Öl dichtung           | Dammskydd Ø 115, växellåda      | Öljytiiviste                       |                   | 472449 | 1   |
| 43  | Oil seal                     | Öl dichtung           | Dammskydd Ø 160, Växellåda      | Öljytiiviste                       |                   | 472450 | 1   |
| 44  | Coverplate                   | Abdeckplatte          | Täckplåt                        | Peitelevy                          |                   | 472676 | 1   |
| 45  | Bearing                      | Lager                 | Flänslager                      | Laippalaakeri                      | förmontering      | 472802 | 2   |
| 46  | Pre-assembly                 | Vormontage            | Förmontering drivning           | Esiusennus                         | höger             | 472847 | 1   |
| 47  | Rotor                        | Rad                   | Rotor höger                     | Roottori                           | längre tinnar     | 473518 | 1   |
| 48  | Warning for stone projektion | Steinschleuderwarnung | Varning, stenskott håll avstånd | Varoitus kiveniskuista pidä etäisy |                   | 508652 | 1   |
| 49  | Washer                       | Scheibe               | Kilspårsbricka för axeltät      | Aluslaatta                         | D=50              | 559344 | 1   |
| 50  | U-bracket                    | U-bolzen              | U-Bult 12Mm (Fästbygel)         | U-pultti                           | för x60 x 80 balk | 808194 | 1   |



## 473580

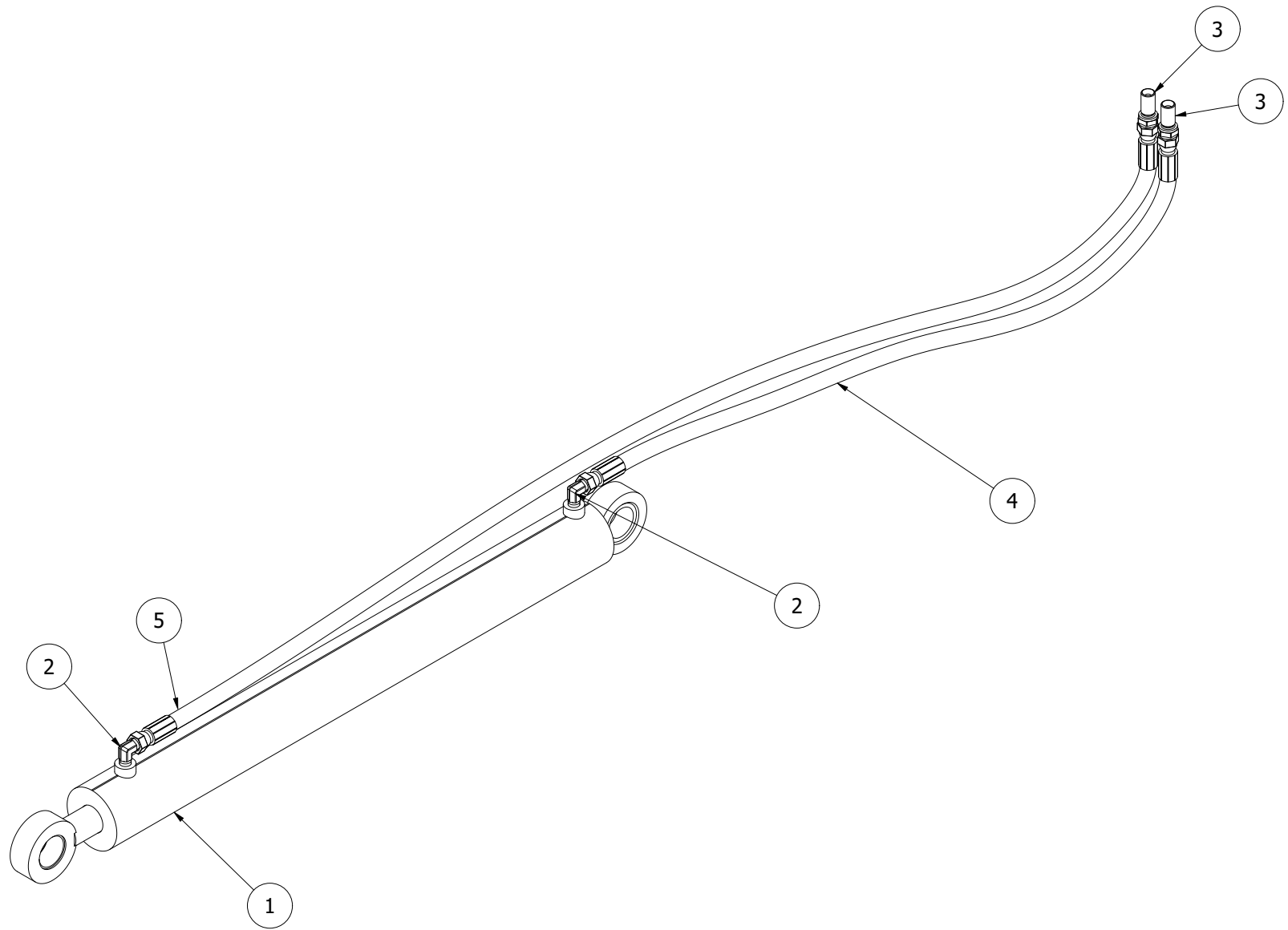
| Pos | Name                       | Nahme                | Benämning                  | Nimike            | Specification          | NO     | Pcs |
|-----|----------------------------|----------------------|----------------------------|-------------------|------------------------|--------|-----|
| 1   | Screw                      | Schraube             | 6-k skruv dg               | Kuusioruuvi       | DIN 931 8.8 M10x220 ZN | 130286 | 2   |
| 2   | Screw                      | Schraube             | 6-k Skruv dg               | Kuusioruuvi       | DIN 931 8.8 M12x260 ZN | 130467 | 4   |
| 3   | Screw                      | Schraube             | 6-k Skruv dg               | Kuusioruuvi       | DIN 931 8.8 M20X280 ZN | 130573 | 1   |
| 4   | Screw                      | Schraube             | 6-k Skruv dg               | Kuusioruuvi       | DIN 931 10.9 M20x60 ZN | 130616 | 4   |
| 5   | Screw                      | Schraube             | 6-k Skruv hg               | Kuusioruuvi       | DIN 933 8.8 M8X25 ZN   | 130740 | 1   |
| 6   | Screw                      | Schraube             | 6-k Skruv hg               | Kuusioruuvi       | DIN 933 8.8 M8X30 ZN   | 130760 | 6   |
| 7   | Nut                        | Muttern              | Låsmutter                  | Lukitusmutteri    | DIN 985-8 M8 ZN        | 131570 | 7   |
| 8   | Nut                        | Muttern              | Låsmutter                  | Lukitusmutteri    | DIN 985-8 M10 ZN       | 131580 | 2   |
| 9   | Nut                        | Muttern              | Låsmutter                  | Lukitusmutteri    | DIN 985-8 M12 ZN       | 131600 | 4   |
| 10  | Nut                        | Muttern              | Låsmutter                  | Lukitusmutteri    | DIN 985-8 M20 ZN       | 131635 | 1   |
| 11  | Washer                     | Scheibe              | Bricka                     | Aluslaatta        | DIN 125A M8/8.4 ZN     | 131750 | 14  |
| 12  | Washer                     | Scheibe              | Bricka                     | Aluslaatta        | DIN 125A M12/13 ZN     | 131790 | 8   |
| 13  | Washer                     | Scheibe              | Bricka                     | Aluslaatta        | DIN 125A M20/21 ZN     | 131830 | 6   |
| 14  | Spring pin                 | Spannhülsen          | Rörsprint                  | Jousisokka        | DIN 1481 10X50 ZN      | 132860 | 2   |
| 15  | Linch pin                  | Klappstecker         | Ringsprint                 | Rengassokka       | DIN 11023 6 mm         | 133362 | 2   |
| 16  | Plain bearing              | Gleitlager           | Glidlager                  | Liukulaakeri      | Ø 50/55 L=50 COB092    | 140071 | 2   |
| 17  | Plain bearing              | Gleitlager           | Glidlager                  | Liukulaakeri      | Ø 35/39 L=20 COB092    | 140072 | 2   |
| 18  | Nut for long double nipple | Muttern              | Kontermutter               | Kontramutteri     | 1270-06                | 143111 | 2   |
| 19  | Drawbar                    | Drehbare             | Dragbom                    | Vetopuomi         | bas                    | 437320 | 1   |
| 20  | Tool box                   | Werkzeugkasten       | Verktygslåda med tillbehör | Työkalulaatikko   |                        | 472427 | 1   |
| 21  | Hose holder                | Schlauch befestigung | Slanghållare               | Letkupidike       |                        | 472442 | 2   |
| 22  | Toweye                     | Haken                | Dragkrok                   | Koukku            | Painted                | 472678 | 1   |
| 23  | Hose bracket               | Schlauchhalter       | Slangstöd                  | Letkun Kiinnike   | Övre                   | 472718 | 1   |
| 24  | Spacer                     | Distantz             | Distans                    | Välilevy          | slanghållare           | 472719 | 1   |
| 25  | Telescopic boom            | Teleskopausleger     | Teleskopbom                | teleskoopipuomi   | yttre                  | 473549 | 1   |
| 26  | Bracket                    | Befestigung          | Fästplåt                   | Kiinnityspelti    |                        | 473564 | 1   |
| 27  | Cover plate                | Abdeckplatte         | Täckplåt                   | Peitelevy         |                        | 473565 | 1   |
| 28  | Hose bracket               | Befestigung          | Slangstöd                  | Letkun Kiinnike   | kort                   | 473566 | 1   |
| 29  | Cylinder pin               | Zapfen               | Cylindertapp               | Sylinteri tappi   |                        | 473567 | 1   |
| 30  | Sleeve                     | Hülse                | holk                       | Holkki            | kort                   | 473568 | 1   |
| 31  | Cylinder pin               | Zapfen               | Cylindertapp               | Sylinteri tappi   | lång                   | 473569 | 1   |
| 32  | Sleeve                     | Hülse                | holk                       | Holkki            | lång                   | 473570 | 2   |
| 33  | Plate                      | Platte               | Bygelplåt                  | Pelti             |                        | 473572 | 2   |
| 34  | Lock pin                   | Stopfen zapfen       | Låstapp                    | Lukitus tappi     | lång                   | 473577 | 2   |
| 35  | Support jack               | Stutzfuss            | Stödfot                    | Tukijalka         |                        | 473583 | 1   |
| 36  | footplate                  | Fußplatte            | Fotplatta bred             | jalkalevy         |                        | 473584 | 1   |
| 37  | Drawbar cylinder           | Drehbare zylinder    | dragboms cylinder          | Hydraulisylinteri | förmontering           | 473618 | 1   |
| 38  | Hose bracket               | Schlauchhalter       | Slangstöd                  | Letkun Kiinnike   | svetsad                | 473622 | 1   |
| 39  | Washer                     | Scheibe              | Bricka 40                  | Aluslaatta        |                        | 565098 | 2   |





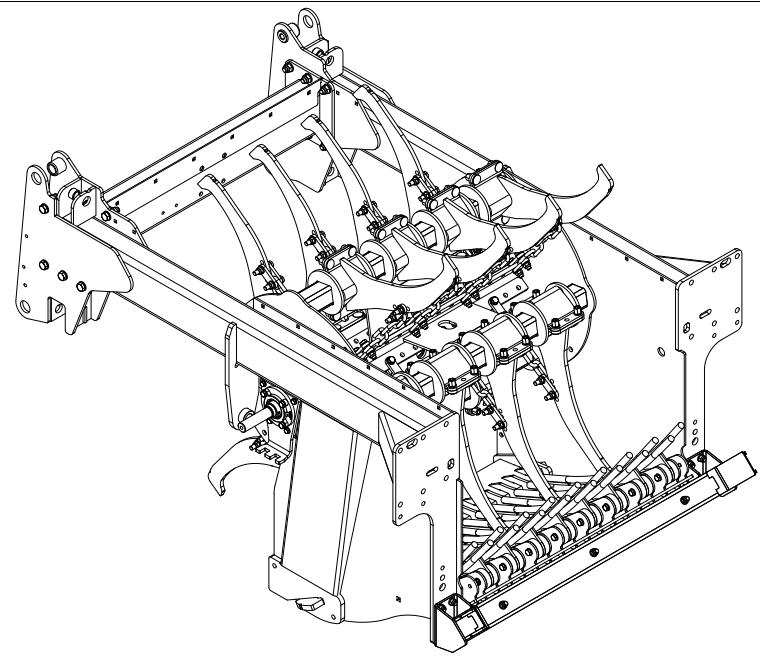
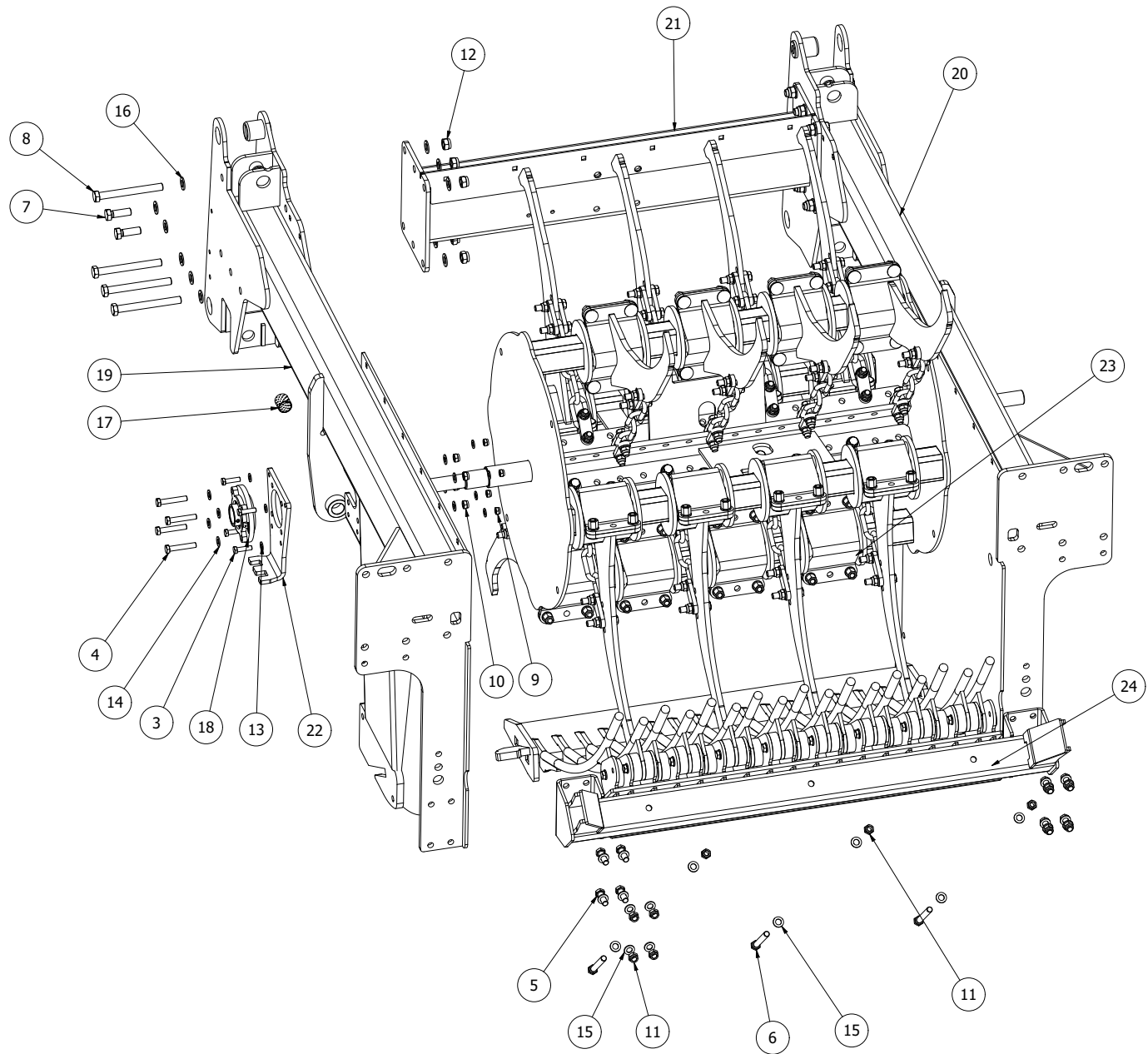
472427

| <b>Pos</b> | <b>Name</b>   | <b>Nahme</b>    | <b>Benämning</b>         | <b>Nimike</b>   | <b>Specification</b> | <b>NO</b> | <b>Pcs</b> |
|------------|---------------|-----------------|--------------------------|-----------------|----------------------|-----------|------------|
| 1          | Linch pin     | Klappstecker    | Ringsprint               | Rengassokka     | DIN 11023 4,5 mm     | 133360    | 1          |
| 2          | Tool box      | Werkzeugkasten  | Verktygslåda med handtag | Työkalulaatikko | Ama 35067            | 159825    | 1          |
| 3          | Limiter chain | Begrenzer kette | Begränsar kätting        | Rajoitin ketju  |                      | 472399    | 2          |



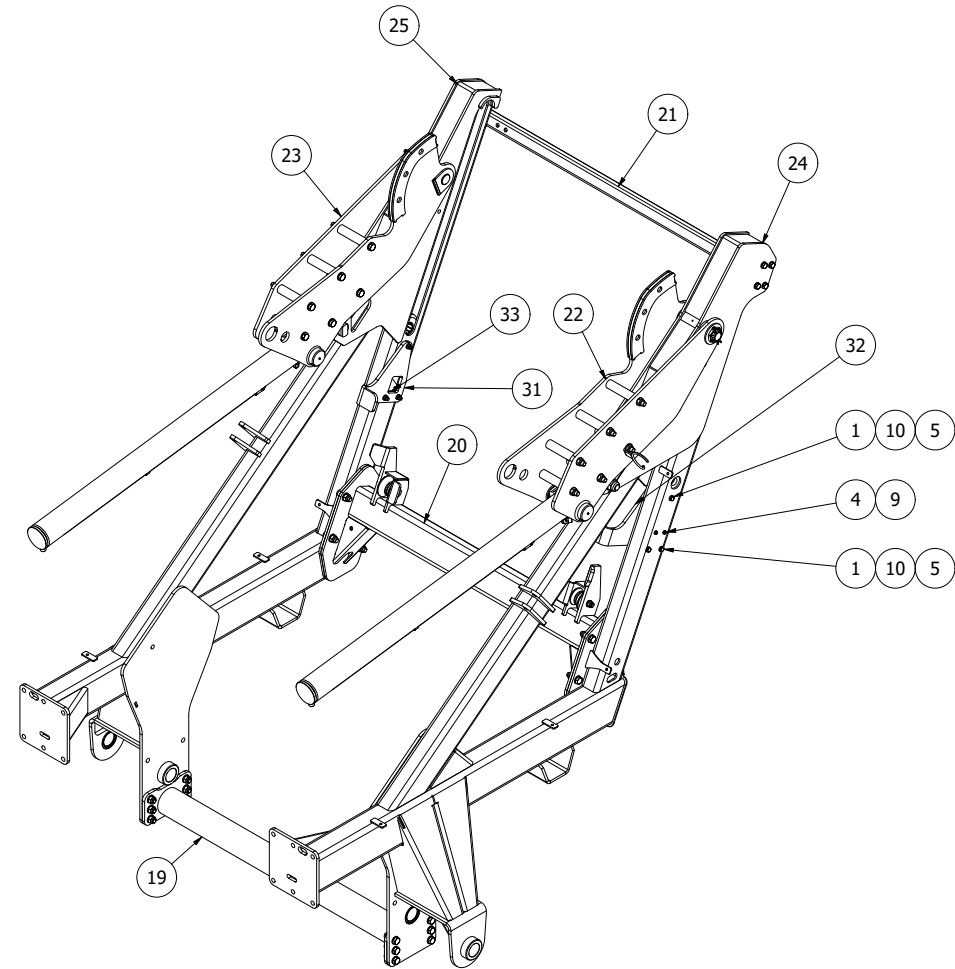
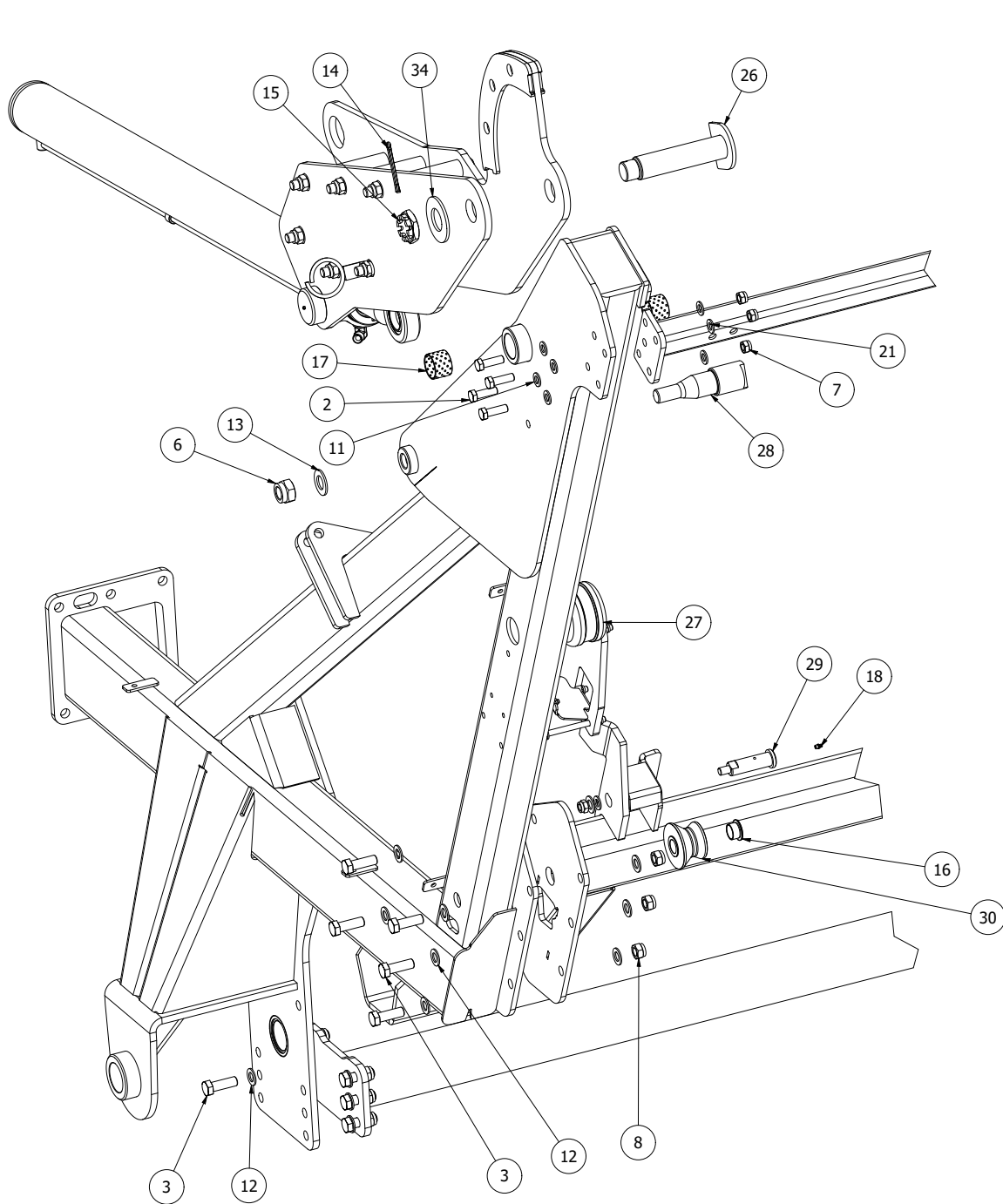
## 473618

| Pos | Name               | Nahme              | Benämning         | Nimike             | Specification        | NO     | Pcs |
|-----|--------------------|--------------------|-------------------|--------------------|----------------------|--------|-----|
| 1   | Cylinder           | Hydraulzylinder    | Hydraulicylinder  | Hydraulisylinteri  | 70/35 940-1640       | 146083 | 1   |
| 2   | "L" adaptor        | Vinkel nippel      | Vinkel            | Kulmanippa         | 1/4" - 1/4" 04490-04 | 143180 | 2   |
| 3   | Double nipple long | Doppelnippel, lang | Dubbelnippa, lång | Kaksoisnippa pitkä | 3/8"-3/8" 04000-06EP | 143107 | 2   |
| 4   | Hydraulic hose     | Hydraulikschlauch  | Hydraulslang 1/4" | Hydrauliletku      | L=1050 3/8"-3/8"     | 145711 | 1   |
| 5   | Hydraulic hose     | Hydraulikschlauch  | Hydraulslang 1/4" | Hydrauliletku      | L=1800 3/8"-3/8"     | 145710 | 1   |



## 472137

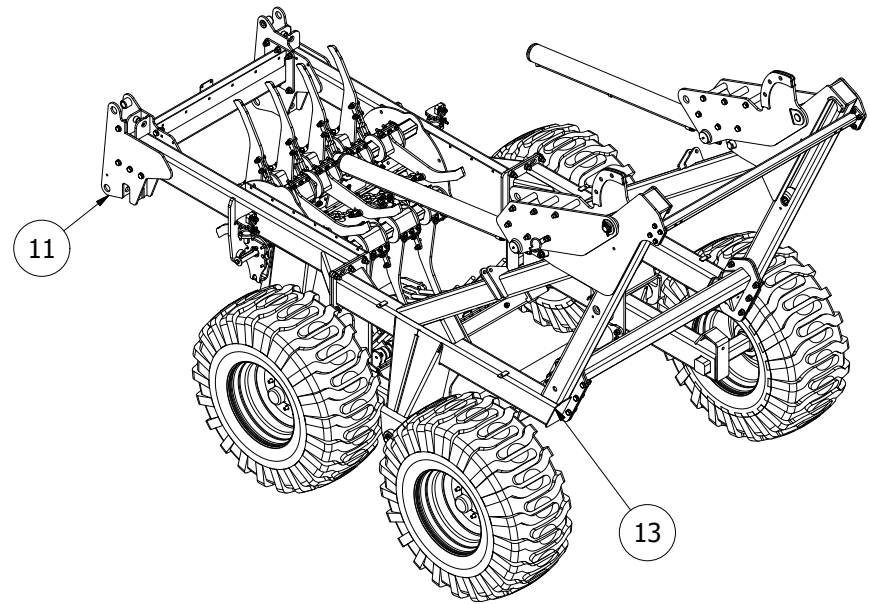
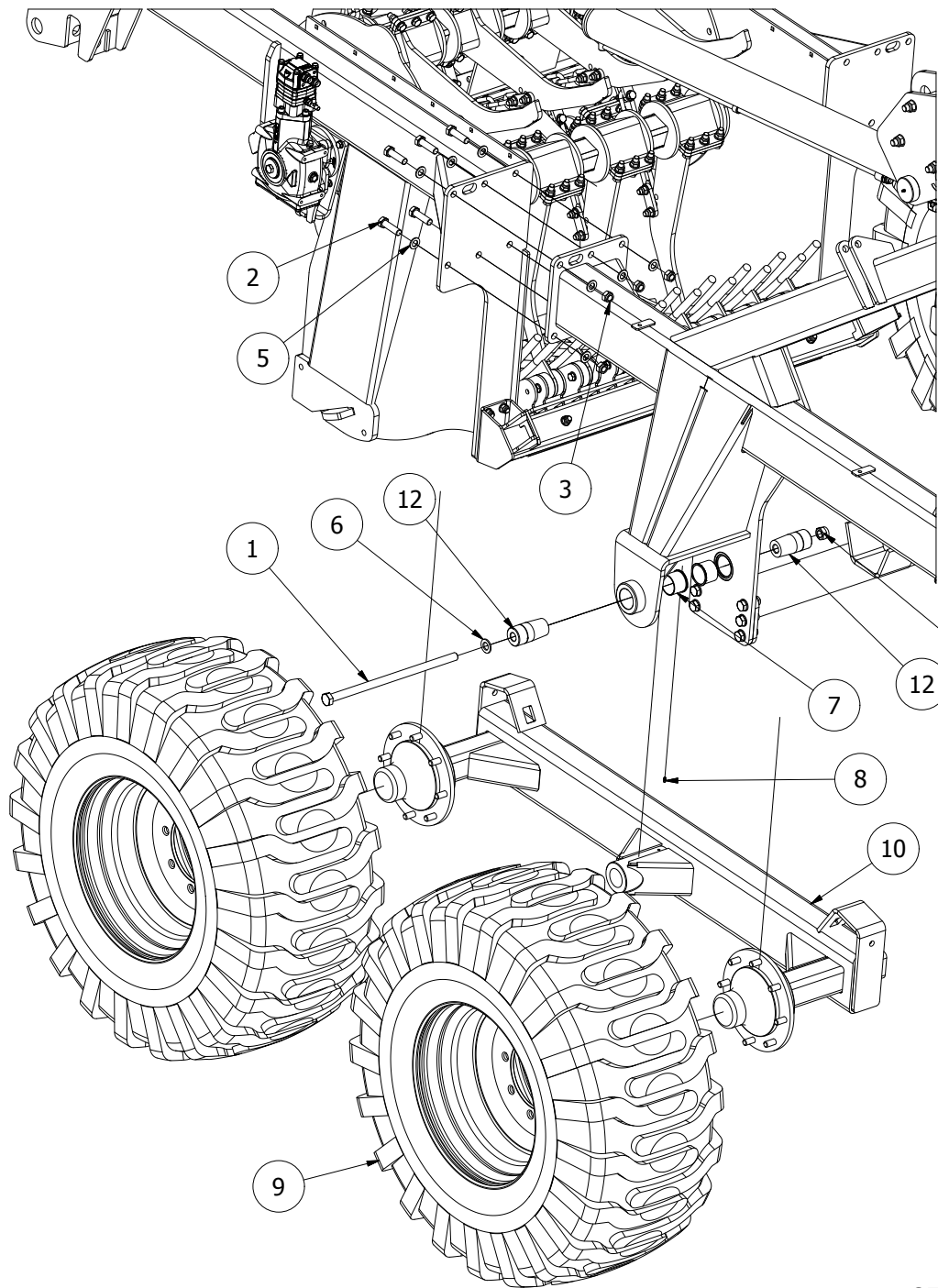
| Pos | Name                              | Nahme                           | Benämning                        | Nimike                           | Specification           | NO     | Pcs |
|-----|-----------------------------------|---------------------------------|----------------------------------|----------------------------------|-------------------------|--------|-----|
| 1   | Screen mixed bars 38 mm gap size  | Sieb                            | Säll högre grov, lägre standard  | Seula                            |                         | 115043 | 0   |
| 2   | Screen for smaller stones factory | Sieb für kleinere Steine Werksm | Säll för mindre sten Fabriksmont | Seula pienemmille kiville tehdas | 33 mm gap size          | 115044 | 0   |
| 3   | Screw                             | Schraube                        | 6-k Skruv dg                     | Kuusioruuvi                      | DIN 931 8.8 M12x45 ZN   | 130325 | 8   |
| 4   | Screw                             | Schraube                        | 6-k Skruv dg                     | Kuusioruuvi                      | DIN 931 8.8 M14X80 ZN   | 130491 | 8   |
| 5   | Screw                             | Schraube                        | 6-k Skruv dg                     | Kuusioruuvi                      | DIN 931 8.8 M16X50 ZN   | 130500 | 8   |
| 6   | Screw                             | Schraube                        | 6-k Skruv hg                     | Kuusioruuvi                      | DIN 933 8.8 M16X150 ZNC | 131238 | 3   |
| 7   | Screw                             | Schraube                        | 6-k Skruv hg                     | Kuusioruuvi                      | DIN 933 8.8 M20X60 ZN   | 131275 | 4   |
| 8   | Screw                             | Schraube                        | 6-K Skruv Dg                     | Kuusioruuvi                      | DIN 931 8.8 M20X190 ZN  | 131367 | 8   |
| 9   | Nut                               | Muttern                         | Låsmutter                        | Lukitusmutteri                   | DIN 985-8 M12 ZN        | 131600 | 8   |
| 10  | Nut                               | Muttern                         | Låsmutter                        | Lukitusmutteri                   | DIN 985-8 M14 ZN        | 131620 | 8   |
| 11  | Nut                               | Muttern                         | Låsmutter                        | Lukitusmutteri                   | DIN 985-8 M16 ZN        | 131630 | 11  |
| 12  | Nut                               | Muttern                         | Låsmutter                        | Lukitusmutteri                   | DIN 985-8 M20 ZN        | 131635 | 12  |
| 13  | Washer                            | Scheibe                         | Bricka                           | Aluslaatta                       | DIN 125A M12/13 ZN      | 131790 | 16  |
| 14  | Washer                            | Scheibe                         | Bricka                           | Aluslaatta                       | DIN 125A M14/15 ZN      | 131805 | 16  |
| 15  | Washer                            | Scheibe                         | Bricka                           | Aluslaatta                       | DIN 125A M16/17 ZN      | 131810 | 22  |
| 16  | Washer                            | Scheibe                         | Bricka                           | Aluslaatta                       | DIN 125A M20/21 ZN      | 131830 | 24  |
| 17  | Plain bearing                     | Gleitlager 35/39 l=20           | Glidlager                        | Liukulaakeri                     | Ø 35/39 L=40 COB092     | 140086 | 2   |
| 18  | Bearing                           | Lager                           | Flänslager                       | Laippalaakeri                    | UCFC 210 / FYC 50 TF    | 140550 | 2   |
| 19  | Frame left                        | rahmen links                    | Ramsida, främre, vänster         | runko vasen                      |                         | 472104 | 1   |
| 20  | Frame right                       | rahmen recht                    | Ramsida, främre, höger           | runko oikea                      |                         | 472105 | 1   |
| 21  | Frame                             | Rahmen                          | Rambalk                          | Runkopalkki                      |                         | 472108 | 1   |
| 22  | Adapter                           | Adapter                         | Lager Fäste                      | Adapteri                         |                         | 472284 | 2   |
| 23  | Rotor                             | Rotor                           | Inmatningsrotor                  | roottori                         |                         | 472339 | 1   |
| 24  | Sieve, assembly                   | Sieb, Baugrupp                  | Säll, montering                  | seula, kokoonpano                |                         | 472374 | 0   |
| 25  | Adjustable screen                 | Verstellbare sieb               | Ställbart säll                   | Säädettävät seula                |                         | 472840 | 0   |





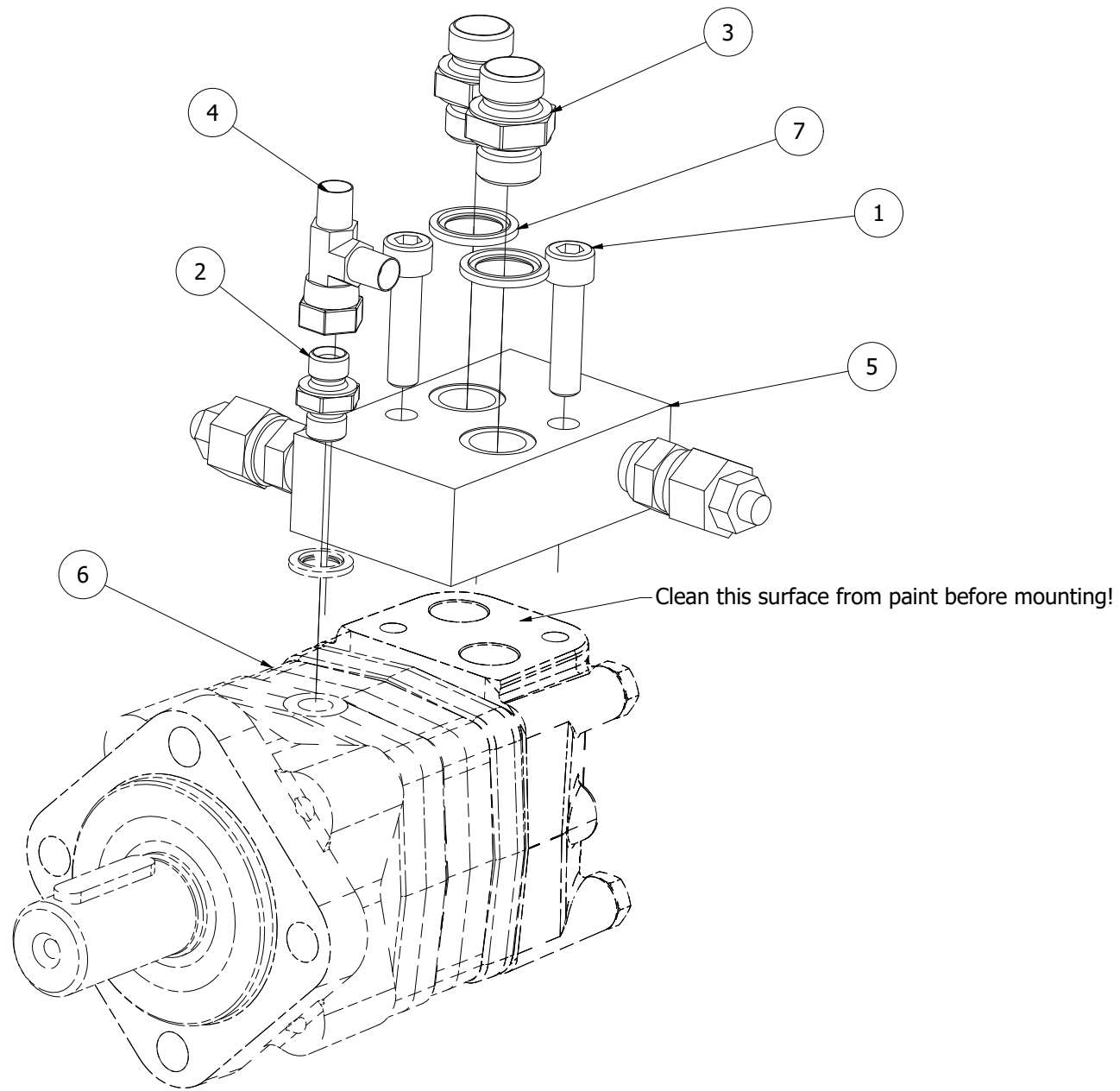
## 472207

| Pos | Name                   | Nahme             | Benämning             | Nimike           | Specification            | NO     | Pcs |
|-----|------------------------|-------------------|-----------------------|------------------|--------------------------|--------|-----|
| 1   | Screw                  | Schraube          | 6-k Skruv dg          | Kuusioruuvi      | DIN 931 8.8 M12X140 ZN   | 130450 | 6   |
| 2   | Screw                  | Schraube          | 6-k Skruv dg          | Kuusioruuvi      | DIN 931 8.8 M16X50 ZN    | 130500 | 8   |
| 3   | Screw                  | Schraube          | 6-k Skruv dg          | Kuusioruuvi      | DIN 931 8.8 M20x60 ZN    | 130572 | 22  |
| 4   | Screw                  | Schraube          | 6-k Skruv hg          | Kuusioruuvi      | DIN 933 8.8 M8X25 ZN     | 130740 | 4   |
| 5   | Nut                    | Muttern           | Låsmutter             | Lukitusmutteri   | DIN 985-8 M12 ZN         | 131600 | 6   |
| 6   | Nut                    | Muttern           | Låsmutter             | Mutteri          | DIN 985-8 M30 ZN         | 131628 | 2   |
| 7   | Nut                    | Muttern           | Låsmutter             | Lukitusmutteri   | DIN 985-8 M16 ZN         | 131630 | 10  |
| 8   | Nut                    | Muttern           | Låsmutter             | Lukitusmutteri   | DIN 985-8 M20 ZN         | 131635 | 22  |
| 9   | Washer                 | Scheibe           | Bricka                | Aluslaatta       | DIN 125A M8/8.4 ZN       | 131750 | 4   |
| 10  | Washer                 | Scheibe           | Bricka                | Aluslaatta       | DIN 125A M12/13 ZN       | 131790 | 12  |
| 11  | Washer                 | Scheibe           | Bricka                | Aluslaatta       | DIN 125A M16/17 ZN       | 131810 | 18  |
| 12  | Washer                 | Scheibe           | Bricka                | Aluslaatta       | DIN 125A M20/21 ZN       | 131830 | 44  |
| 13  | Washer                 | Scheibe           | Bricka                | Aluslaatta       | DIN 125A M30/31 ZN       | 131870 | 2   |
| 14  | Split pin              | Splinten          | Saxsprint             | Saksisokka       | DIN 94 8x90 ZN           | 132816 | 2   |
| 15  | Krown nut              | Kronenmuttern     | Kronmutter låg        | Kruunumutteri    | DIN 937/8 ZN M42x1,5     | 133214 | 2   |
| 16  | Plain bearing          | Gleitlager        | Glidlager             | Liukulaakeri     | Ø 30/34-45 L=20 WF-WB702 | 140033 | 4   |
| 17  | Plain bearing          | Gleitlager        | Glidlager             | Liukulaakeri     | Ø 50/55L=40 COB092       | 140069 | 4   |
| 18  | Grease nipple          | Smiernippel       | Smörjnippa            | Voitelunippa     | M8x1                     | 140952 | 2   |
| 19  | Crossbeam              | Querbalken        | Mellanbalk            | Välipalkki       |                          | 472191 | 1   |
| 20  | Rear frame beam        | Rahmen            | Bakre rambalk         | taka Runkopalkki |                          | 472196 | 1   |
| 21  | Connectingrod          | Verbindung rohr   | Mellanstag, Svets     | Tukiputki        |                          | 472199 | 1   |
| 22  | Linkage assembly left  | Befestigung links | Lyftram, vänster      | Nostorunko vasen |                          | 472509 | 1   |
| 23  | Linkage assembly right | Befestigung recht | Lyftram, höger        | Nostorunko oikea |                          | 472512 | 1   |
| 24  | Frame, left side       | Rahmne, links     | Ramsida,vänster,bakre | takarunko, vasen |                          | 472513 | 1   |
| 25  | Frame right            | rahmen recht      | Ramsida, höger, bakre | takarunko oikea  |                          | 472514 | 1   |
| 26  | Connecting pin         | Achse             | Tapp, svetsad         | Tappi            |                          | 472518 | 2   |
| 27  | Roller                 | Führungsrolle     | Rulle, förmontering   | Tukirulla        |                          | 472553 | 2   |
| 28  | Connecting pin         | Achse             | Tapp D50 Cone         | Sylinteri tappi  | M30                      | 472672 | 2   |
| 29  | Pin                    | Tapp              | Tapp                  | Tappi            | Stödhjul                 | 472770 | 2   |
| 30  | Support wheel          | Stützräder        | Stödhjul              | Tukipyörä        |                          | 472771 | 2   |
| 31  | Guide                  | Führung           | Styrning              | Ohjain           | Höger                    | 472776 | 1   |
| 32  | Guide                  | Führung           | Styrning              | Ohjain           | Vänster                  | 472777 | 1   |
| 33  | Plate                  | Blech             | Plåt                  | Peltilevy        | Svets                    | 472779 | 2   |
| 34  | Washer                 | Scheibe           | Bricka D=50           | Aluslaatta       |                          | 565281 | 2   |



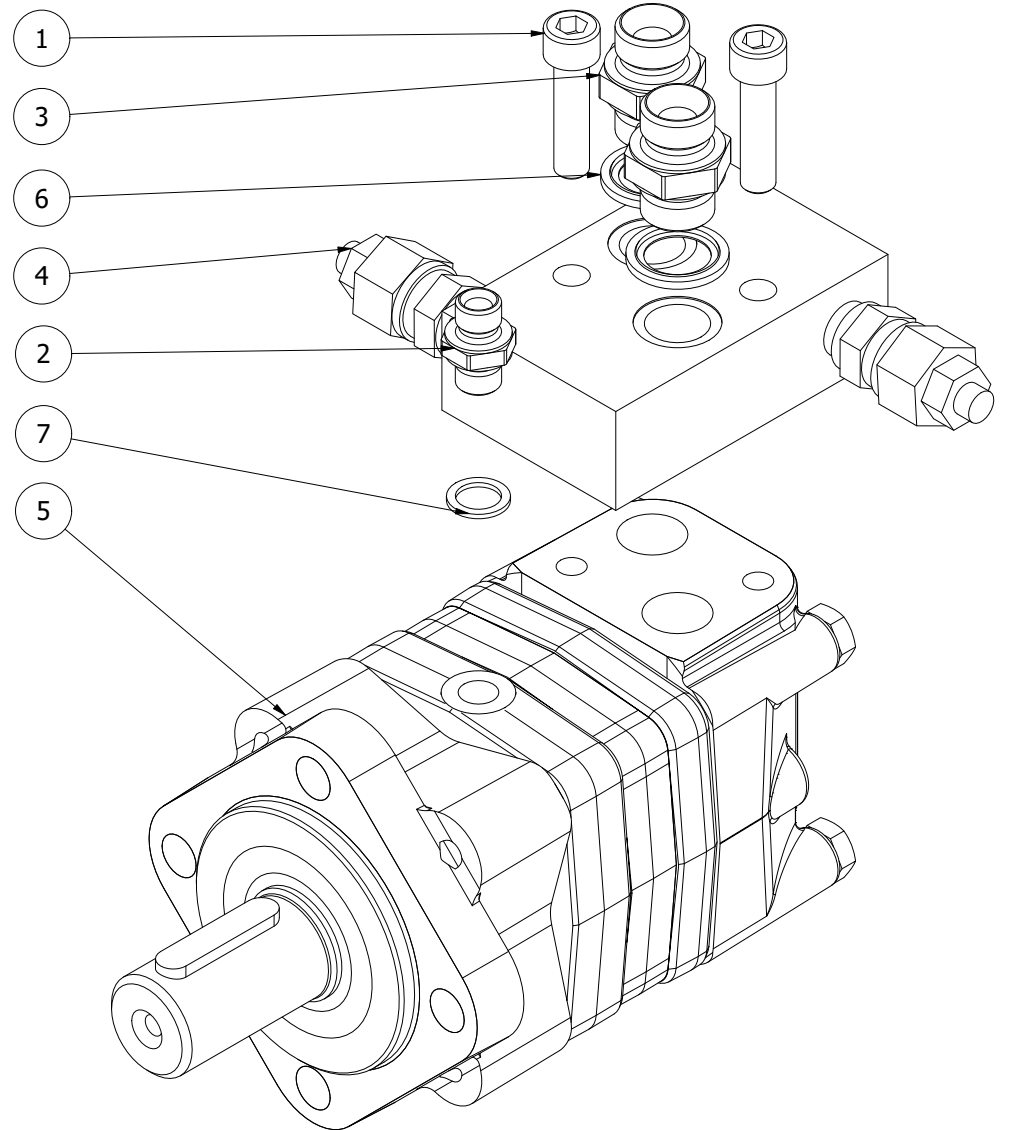
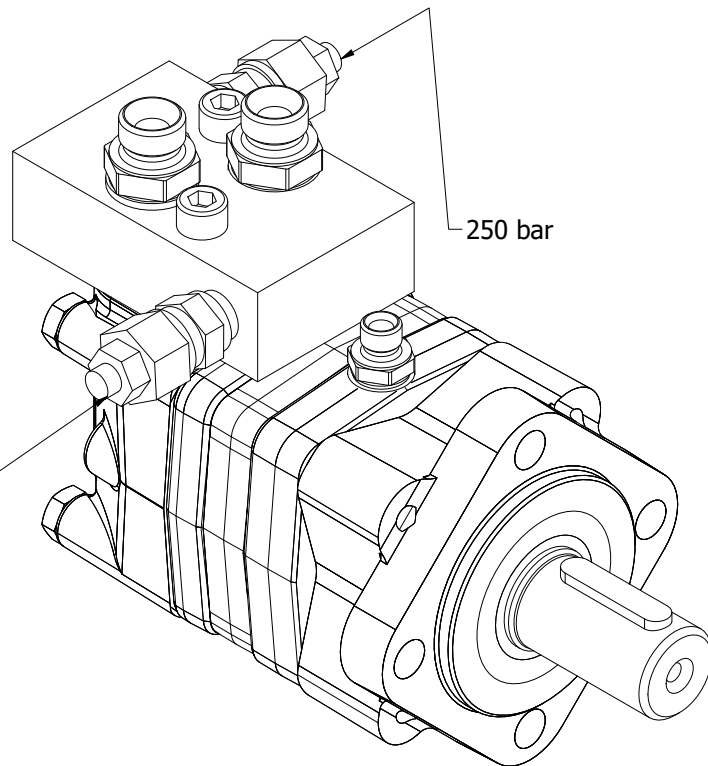
472209

| 472209 |               |                 |                       |                     |                          |        |     |
|--------|---------------|-----------------|-----------------------|---------------------|--------------------------|--------|-----|
| Pos    | Name          | Nahme           | Benämning             | Nimike              | Specifikation            | NO     | Pcs |
| 1      | Screw         | Schraube        | 6-K Skruv Dg          | Kuusioruuvi         | DIN 931 10.9 M24x500 Zn  | 130565 | 2   |
| 2      | Screw         | Schraube        | 6-K Skruv Dg          | Kuusioruuvi         | DIN 931 8.8 M20x70 Zn    | 130597 | 12  |
| 3      | Nut           | Muttern         | Låsmutter             | Lukitusmutteri      | DIN 985-8 M20 Zn         | 131635 | 12  |
| 4      | Nut           | Muttern         | Låsmutter             | Lukitusmutteri      | DIN 985-8 M24 Zn         | 131639 | 2   |
| 5      | Washer        | Scheibe         | Bricka                | Aluslaatta          | DIN 125A M20/21 Zn       | 131830 | 24  |
| 6      | Washer        | Scheibe         | Bricka                | Aluslaatta          | DIN 125A M24/25 Zn       | 131850 | 2   |
| 7      | Plain bearing | Gleitlager      | Glidlager             | Liukulaakeri        | Ø 60/65/75 L=50 WF-WB702 | 140085 | 4   |
| 8      | Grease nipple | Smiernippel     | Smörjnippa            | Voitelunippa        | M6x1                     | 140950 | 2   |
| 9      | Tyre          | Reifen          | Däck                  | Rengas              | 560/60R22.5              | 151095 | 4   |
| 10     | Boggie        | Radachse        | Boggie                | Teliakseli          |                          | 472067 | 2   |
| 11     | Front frame   | Rahmen Baugrupp | Framram, montering1   | Eturunko kokoonpano |                          | 472137 | 1   |
| 12     | Pin           | Zapfen          | Tapp                  | Tappi               | Expander D=60            | 472206 | 4   |
| 13     | Rear frame    | Heckrahmen      | Bakre ram, montering1 | Takarunko           |                          | 472207 | 1   |



## 472301

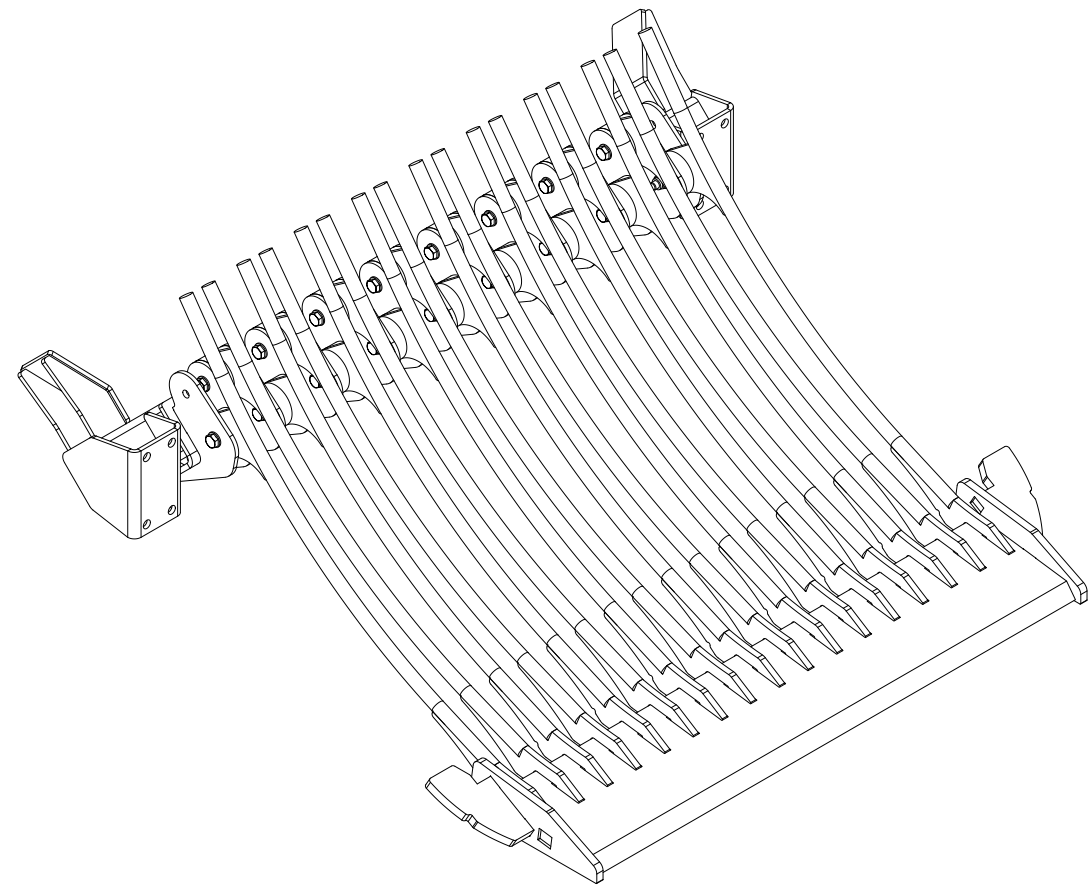
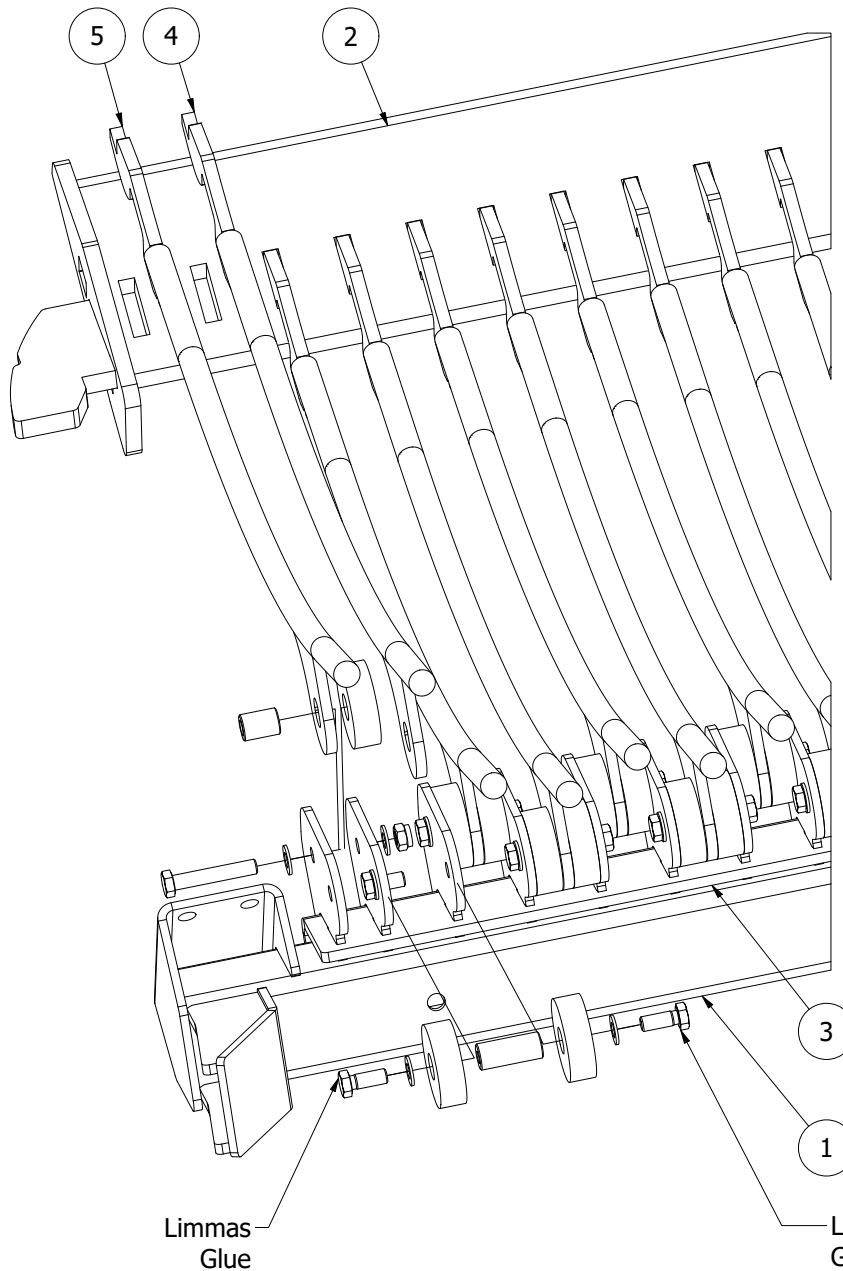
| Pos | Name                         | Nahme                | Benämning                        | Nimike                       | Specification         | NO     | Pcs |
|-----|------------------------------|----------------------|----------------------------------|------------------------------|-----------------------|--------|-----|
| 1   | Screw                        | Schraube             | I-6 Skruv                        | 6-koloruuvi                  | DIN 912 8.8 M10X40 ZN | 131376 | 2   |
| 2   | Double nipple                | Doppelnippel         | Dubbelnippa                      | Kaksoisnippa                 | 1/4"-1/4" 04000-04    | 143102 | 1   |
| 3   | Double nipple                | Doppelnippel         | Dubbelnippa                      | Kuristusnippa                | 1/2"-1/2" 04000-08    | 143106 | 2   |
| 4   | M.F. Revolving-M "T" Adaptor | T-Verschraubung      | T-junktur 1/4" Ytter-Ytter-Inner | T-nipa                       | 04880-04              | 143284 | 1   |
| 5   | dual Pressure relief Valve   | Dual Überdruckventil | Dubbel övertrycksventil          | kaksois-Painerajoinventtiili | V0590.0490T250        | 144014 | 1   |
| 6   | Hydraulic motor              | Hydraul Motor        | Hydraulmotor                     | Hydrauliikka moottori        | Danfoss OMS 125       | 144224 | 1   |
| 7   | Bonded gasket                | Dichtung             | USIT-tätning                     | USIT-tiiviste                | 1/2" USITR-08         | 146004 | 2   |



472302

## 472302

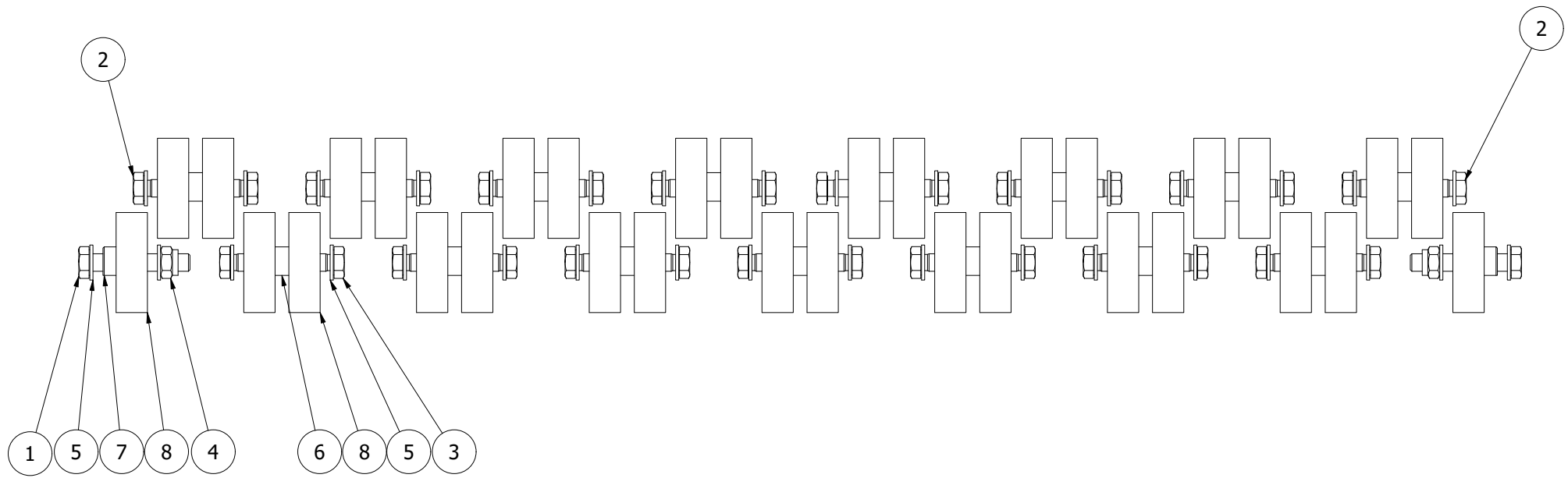
| Pos | Name                       | Nahme                | Benämning               | Nimike                       | Specification         | NO     | Pcs |
|-----|----------------------------|----------------------|-------------------------|------------------------------|-----------------------|--------|-----|
| 1   | Screw                      | Schraube             | I-6 Skruv               | 6-koloruuvi                  | DIN 912 8.8 M10X40 ZN | 131376 | 2   |
| 2   | Double nipple              | Doppelnippel         | Dubbelnippa             | Kaksoisnippa                 | 1/4"-1/4" 04000-04    | 143102 | 1   |
| 3   | Double nipple              | Doppelnippel         | Dubbelnippa             | Kuristusnippa                | 1/2"-1/2" 04000-08    | 143106 | 2   |
| 4   | dual Pressure relief Valve | Dual Überdruckventil | Dubbel övertrycksventil | kaksois-Painerajoinventtiili | V0590.0490T250        | 144014 | 1   |
| 5   | Hydraulic motor            | Hydraul Motor        | Danfoss OMS 80          | Hydrauliikka moottor         | 151F5100              | 144223 | 1   |
| 6   | Bonded gasket              | Dichtung             | USIT-tätning            | USIT-tiiviste                | 1/2" USITR-08         | 146004 | 2   |
| 7   | Coppar seal                | Kupferdichtungen     | Koppartätning           | Kuparilaatta                 | Ø13x18x1.5            | 146019 | 1   |





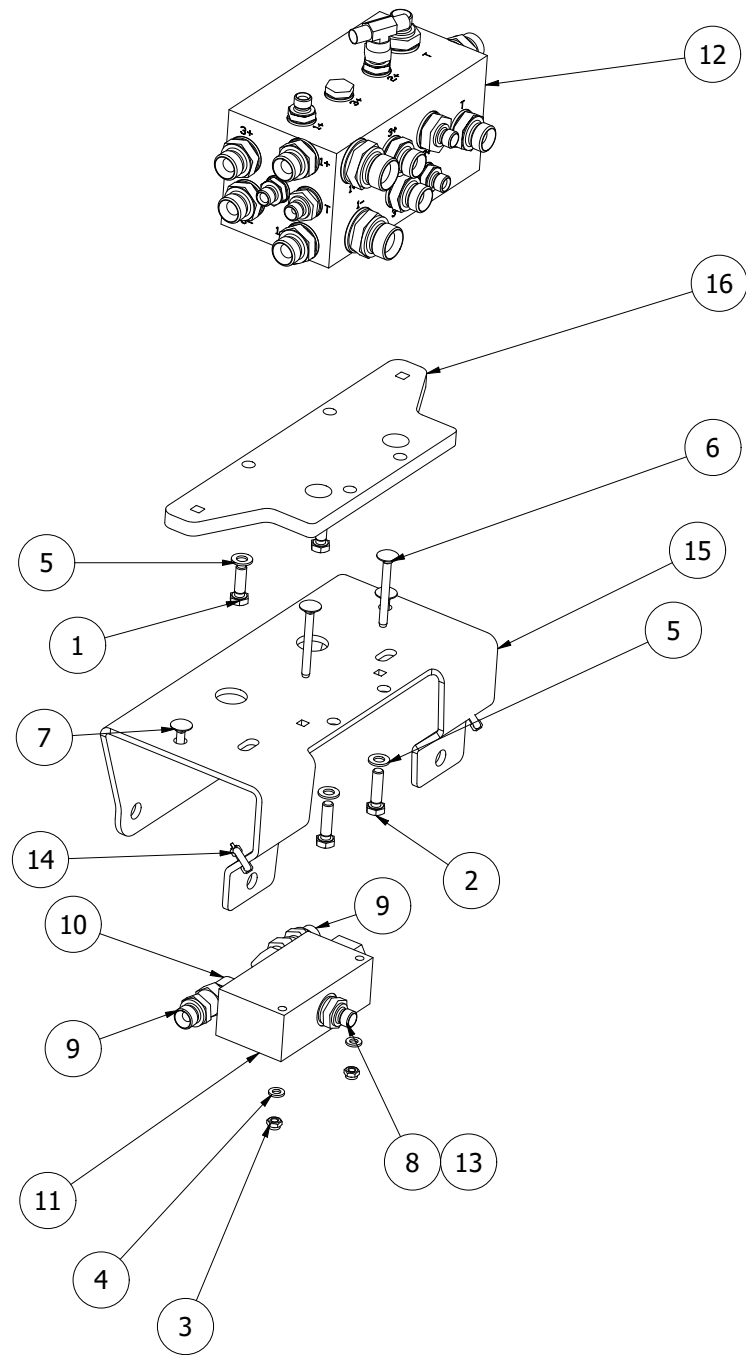
## 472374

| Pos | Name                            | Nahme                           | Benämning                 | Nimike                     | Specification | NO     | Pcs |
|-----|---------------------------------|---------------------------------|---------------------------|----------------------------|---------------|--------|-----|
| 1   | Crossbeam                       | Querbalken                      | Tvärbalk                  | poikittaispalkki           |               | 472136 | 1   |
| 2   | Counter blade                   | Gegenmesser                     | Motbett, Svets            | Vastaterä                  |               | 472141 | 1   |
| 3   | Bracket                         | Befestigung                     | Fästbalk                  | kannattimet                |               | 472144 | 1   |
| 4   | Steel shaft                     | Stahlwelle                      | Sållaxel, Låg             | teräsvarsi                 |               | 472372 | 8   |
| 5   | Steel shaft                     | Stahlwelle                      | Sållaxel, Hög             | teräsvarsi                 |               | 472373 | 9   |
| 6   | Assembling parts to Sieve on Sc | Montageteile zum Sieb für Scorp | Monteringsdelar till såll | Asennusarja seulan Scorpio |               | 472720 | 1   |



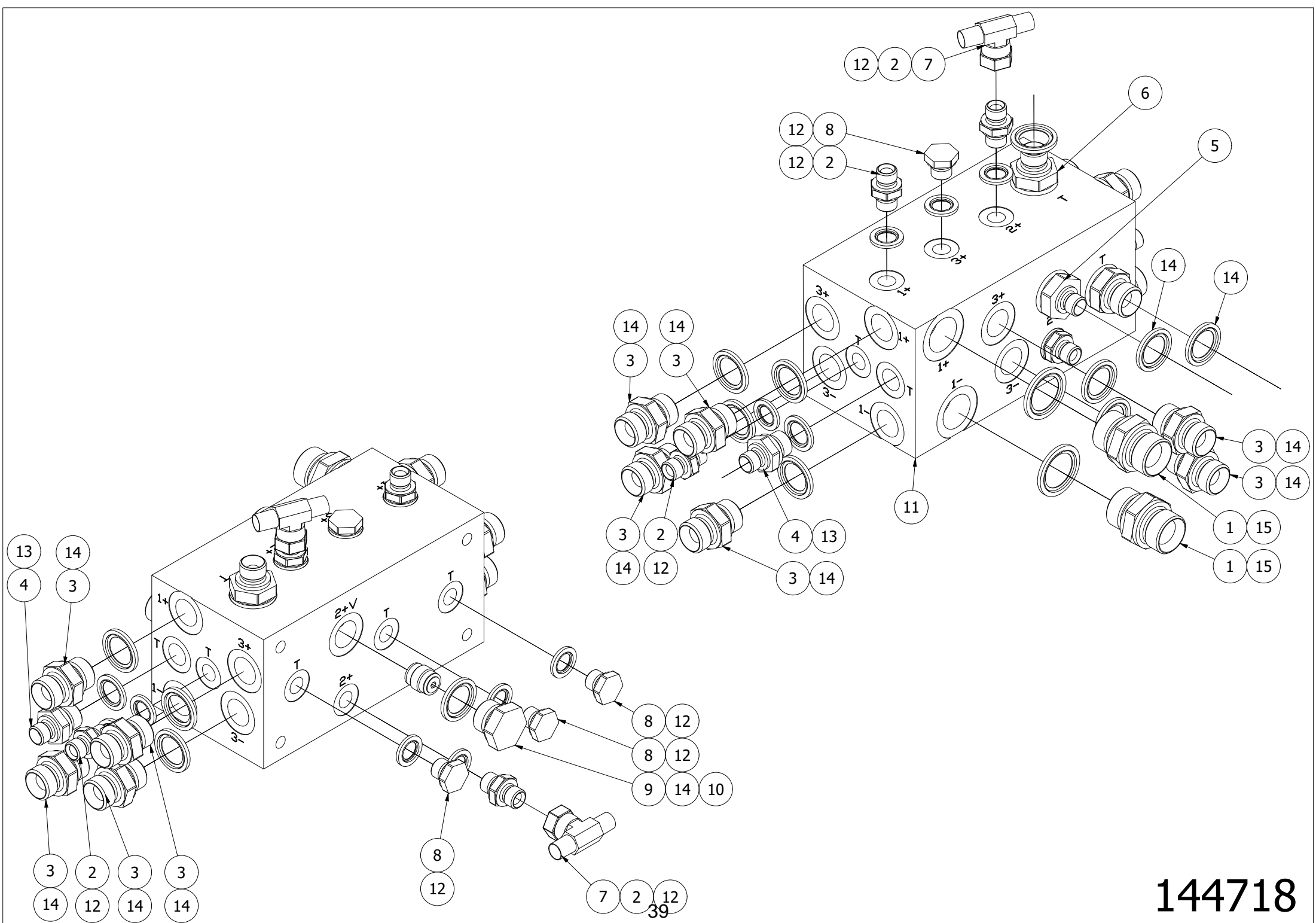
## 472720

| Pos | Name          | Nahme              | Benämning         | Nimike          | Specification         | NO     | Pcs |
|-----|---------------|--------------------|-------------------|-----------------|-----------------------|--------|-----|
| 1   | Screw         | Schraube           | 6-k Skruv dg      | Kuusioruuvi     | DIN 931 8.8 M14X80 ZN | 130491 | 2   |
| 2   | Screw         | Schraube           | 6-k Skruv hg      | Kuusioruuvi     | DIN 933 8.8 M14X30 ZN | 131058 | 2   |
| 3   | Screw         | Schraube           | 6-k Skruv hg      | Kuusioruuvi     | DIN 933 8.8 M14X35 ZN | 131059 | 28  |
| 4   | Nut           | Muttern            | Låsmutter         | Lukitusmutteri  | DIN 985-8 M14 ZN      | 131620 | 2   |
| 5   | Washer        | Scheibe            | Bricka            | Aluslaatta      | DIN 125A M14/15 ZN    | 131805 | 34  |
| 6   | Spacer        | Distantz           | Distansholk, Lång | Väliholkki      |                       | 472150 | 15  |
| 7   | Spacer        | Distantz           | Distansholk, kort | Väliholkki      |                       | 472151 | 2   |
| 8   | Rubber spacer | Gummiabstandhalter | Gummi distans     | kumi Väliholkki |                       | 472152 | 32  |



## 472805

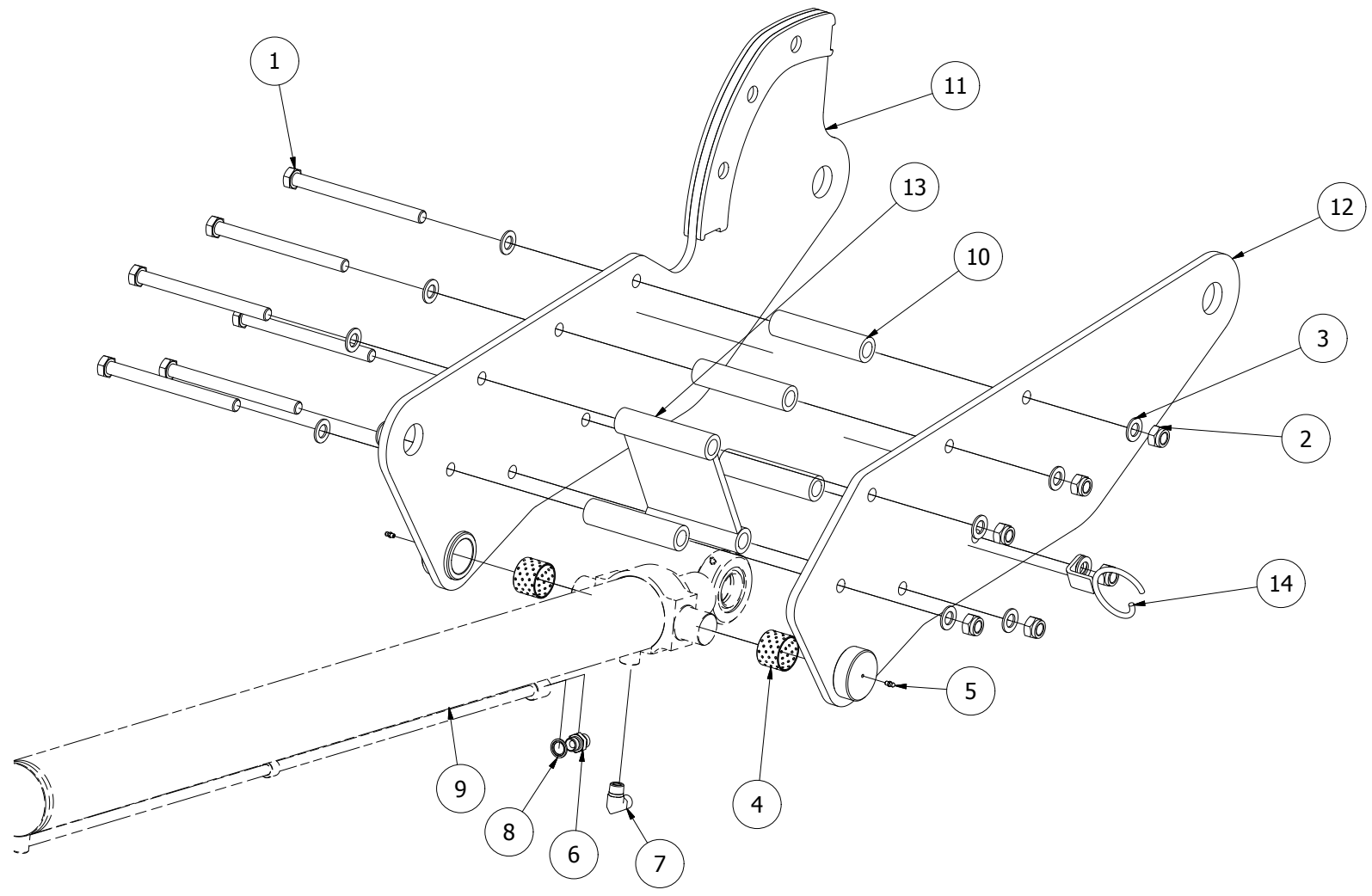
| Pos | Name                | Nahme            | Benämning                 | Nimike          | Specification           | NO     | Pcs |
|-----|---------------------|------------------|---------------------------|-----------------|-------------------------|--------|-----|
| 1   | Screw               | Schraube         | 6-k Skruv hg              | Kuusioruuvi     | DIN 933 8.8 M8X25 ZN    | 130740 | 2   |
| 2   | Screw               | Schraube         | 6-k Skruv hg              | Kuusioruuvi     | DIN 933 8.8 M8X30 ZN    | 130760 | 2   |
| 3   | Nut                 | Muttern          | Låsmutter                 | Lukitusmutteri  | DIN 985-8 M6 ZN         | 131560 | 3   |
| 4   | Washer              | Scheibe          | Bricka                    | Aluslaatta      | DIN 125A M6/6.4 ZN      | 131730 | 3   |
| 5   | Washer              | Scheibe          | Bricka                    | Aluslaatta      | DIN 125A M8/8.4 ZN      | 131750 | 4   |
| 6   | Cup bolt            | Flachrundschrabe | Låsskruv                  | Lukkoruuvi      | DIN 603 8.8 M6X60 ZN    | 132601 | 2   |
| 7   | Cup bolts           | Flachrundschrabe | Låsskruv                  | Lukkoruuvi      | DIN 603 8.8 M6X30 ZN    | 132620 | 2   |
| 8   | Double nipple       | Doppelnippel     | Dubbelnippa               | Supistusnipa    | 1/4"-3/8" 04000-04-06   | 143122 | 1   |
| 9   | Male/Female Adaptor | Anschluss        | Junktur                   | Liitin          | 3/8" - 3/8" 04010-06    | 143150 | 2   |
| 10  | "L" adaptor         | Vinkel nippel    | Vinkel                    | Kulmanippa      | 3/8" - 3/8" 04490-06    | 143182 | 2   |
| 11  | 50/50 valve         | 50/50 Ventilen   | 50/50 ventil              | 50/50 Venttiili | Walvoil VDFR 38-24/ / _ | 144576 | 1   |
| 12  | Hydraulic block     | Hydraulikblock   | Hydraulblock förmontering | Hydraulilohko   | Scorpio 550             | 144718 | 1   |
| 13  | Bonded gasket       | Dichtung         | USIT-tätning              | USIT-tiiviste   | 1/4" USITR-04           | 146002 | 1   |
| 14  | Chain quick links   | Kettennotgleider | Lyftkättingsskarv         | Ketjulukko      | 5 mm                    | 458370 | 2   |
| 15  | Bracket             | Befestigung      | Fästplåt                  | Kiinnityspelti  | nedre                   | 473538 | 1   |
| 16  | Bracket             | Befestigung      | Monteringsplåt            | Asennuslevy     |                         | 473544 | 1   |



144718

## 144718

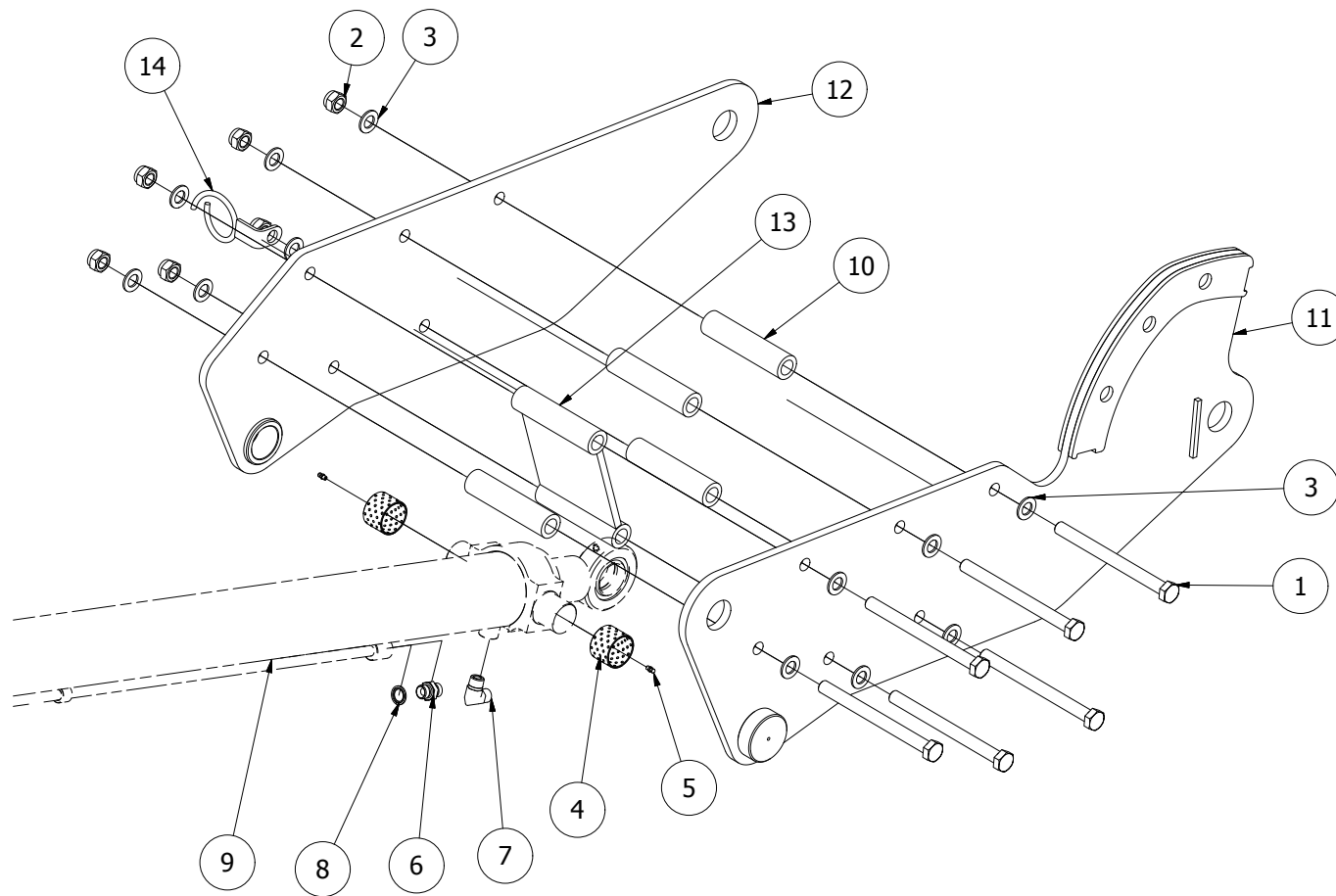
| Pos | Name                    | Nahme                 | Benämning                  | Nimike                | Specification         | NO     | Pcs |
|-----|-------------------------|-----------------------|----------------------------|-----------------------|-----------------------|--------|-----|
| 1   | Double nipple           | Doppelnippel          | Dubbelnippa                | Kaksoisnippa          | 3/4"-3/4" 04000-12    | 143101 | 2   |
| 2   | Double nipple           | Doppelnippel          | Dubbelnippa                | Kaksoisnippa          | 1/4"-1/4" 04000-04    | 143102 | 6   |
| 3   | Double nipple           | Doppelnippel          | Dubbelnippa                | Kuristusnippa         | 1/2"-1/2" 04000-08    | 143106 | 11  |
| 4   | Double nipple           | Doppelnippel          | Dubbelnippa                | Supistusnippa         | 1/4"-3/8" 04000-04-06 | 143122 | 2   |
| 5   | Double nipple           | Doppelnippel          | Dubbelnippa                | Supistusnippa         | 1/4"-1/2" 04000-04-08 | 143124 | 1   |
| 6   | Double nipple           | Doppelnippel          | Dubbelnippa                | Supistusnippa         | 3/8"-1/2" 04000-06-08 | 143125 | 1   |
| 7   | Revolving-M "T" Adaptor | Drehbarer Adaptor "T" | T-stycke Ytter-Inner-Ytter | T-nipa                | 04890-04              | 143245 | 2   |
| 8   | Plug                    | Muffe                 | Ändplugg ytter.gäng+kona   | R-ulko kierretulppa   | R1/4"                 | 143455 | 4   |
| 9   | Plug                    | Muffe                 | Ändplugg ytter.gäng+kona   | R-ulko kierretulppa   | R1/2"                 | 143457 | 1   |
| 10  | One Way Ball Valve      | Ruckschlagventil      | Bakslagsventil             | Takaiskuventtiili 3/8 | OD.44.02.00-02-01     | 144049 | 1   |
| 11  | T-block Scorpio V2      | T-block Scorpio V2    | T-Block Scorpio V2         | T-lohko Scorpio V2    |                       | 144714 | 1   |
| 12  | Bonded gasket           | Dichtung              | USIT-tätning               | USIT-tiiviste         | 1/4" USITR-04         | 146002 | 10  |
| 13  | Bonded gasket           | Dichtung              | USIT-tätning               | USIT-tiiviste         | 3/8" USITR-06         | 146003 | 2   |
| 14  | Bonded gasket           | Dichtung              | USIT-tätning               | USIT-tiiviste         | 1/2" USITR-08         | 146004 | 14  |
| 15  | Bonded gasket           | Dichtung              | USIT-tätning               | USIT-tiiviste         | 3/4" USITR-12         | 146006 | 2   |



472509

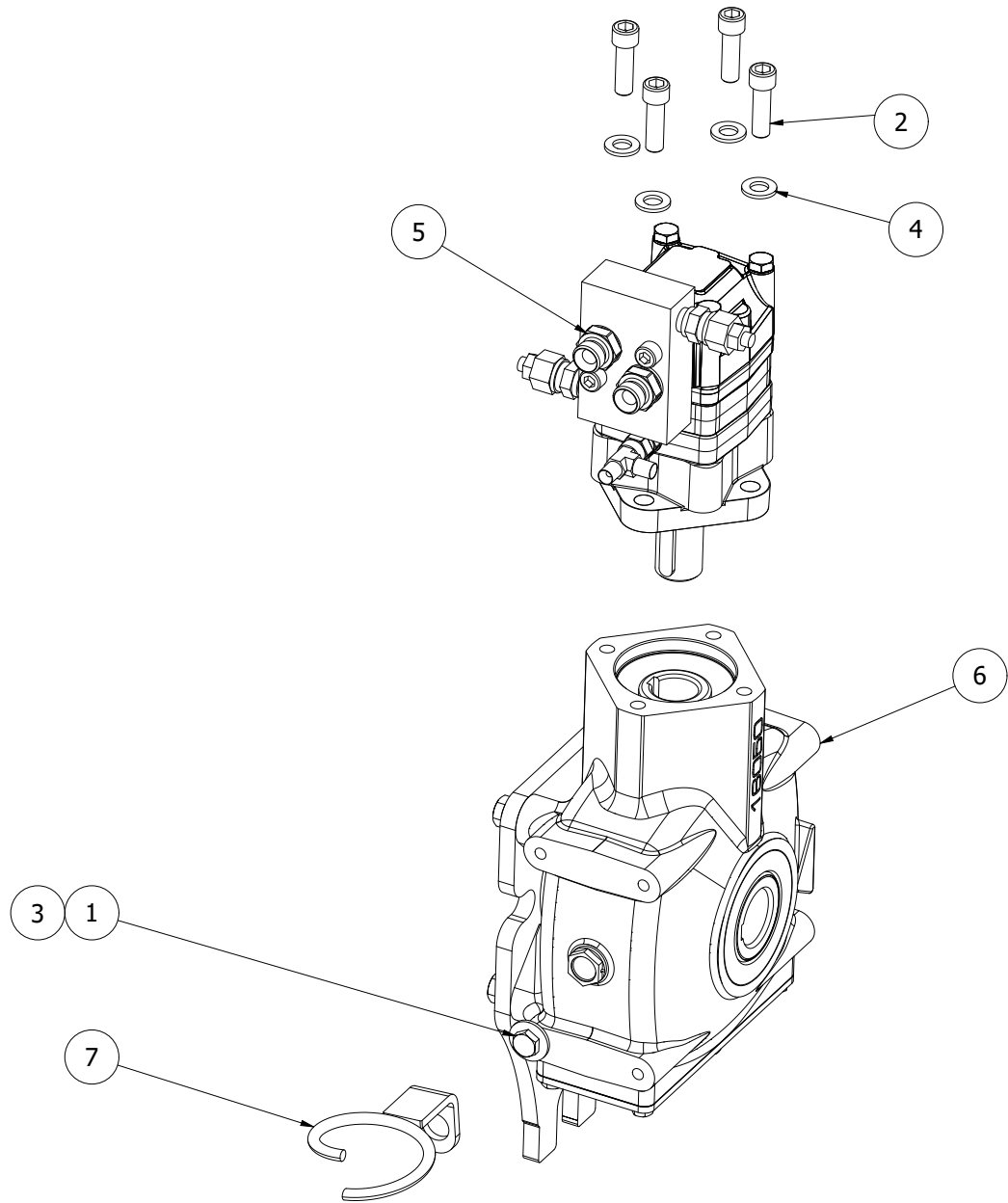


| 472509 |                               |                      |                                |                |                        |        |     |
|--------|-------------------------------|----------------------|--------------------------------|----------------|------------------------|--------|-----|
| Pos    | Name                          | Nahme                | Benämning                      | Nimike         | Specifikation          | NO     | Pcs |
| 1      |                               |                      | 6-K Skruv Dg                   |                | DIN 931 8.8 M20x240 Zn | 130613 | 6   |
| 2      | Nut                           | Muttern              | Låsmutter                      | Lukitusmutteri | DIN 985-8 M20 Zn       | 131635 | 6   |
| 3      | Washer                        | Scheibe              | Bricka                         | Aluslaatta     | DIN 125A M20/21 Zn     | 131830 | 12  |
| 4      | Plain bearing                 | Gleitlager           | Glidlager                      | Liukulaakeri   | Ø 50/55L=40 COB092     | 140069 | 2   |
| 5      | Grease nipple                 | Smiernippel          | Smörjnippa                     | Voitelunippa   | M6x1                   | 140950 | 2   |
| 6      | Double nipple                 | Doppelnippel         | Dubbelnippa                    | Kuristusnippa  | 1/2"-1/2" 04000-08     | 143106 | 1   |
| 7      | "I" adaptor with male threads | Vinkel nippel        | Vinkel                         | Kulmanippa     | 1/2" - 1/2" 04490-08   | 143184 | 1   |
| 8      | Bonded gasket                 | Dichtung             | Usit-tätning                   | Usit-tiiviste  | 1/2" USITR-08          | 146004 | 1   |
| 9      | Cylinder                      | Hebezyylinder        | Lyftcylinder scorpio           | Nostocylinteri |                        | 146703 | 1   |
| 10     | Spacer                        | Distanz              | Mellanhylsa                    | Väliholkki     |                        | 472503 | 4   |
| 11     | Liftingplate                  | Blech                | Lyftplåt, svets vänster, inner | Nostopelti     |                        | 472504 | 1   |
| 12     | Liftingplate                  | Blech                | Lyftplåt, svets vänster, yttre | Nostopelti     |                        | 472507 | 1   |
| 13     | Spacer                        | Distanz              | Mellanplåt, svets              | Väliholkki     |                        | 472511 | 1   |
| 14     | Hose clamp                    | Schlauch befestigung | Slanghållare vid dragbom       | Letkun pidike  |                        | 805430 | 1   |



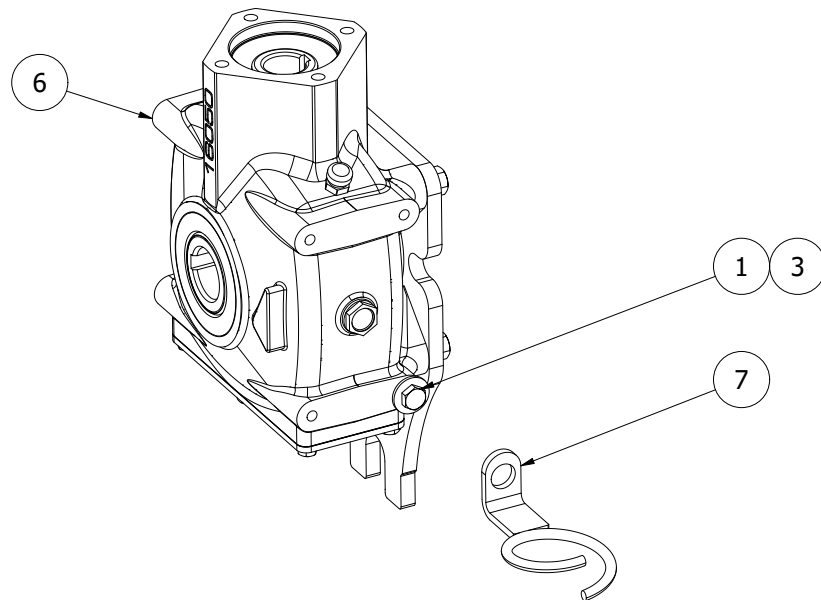
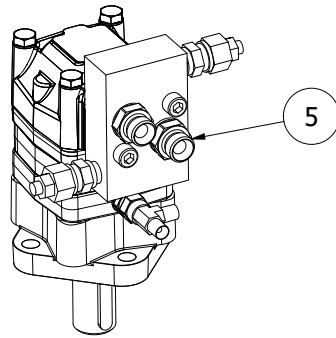
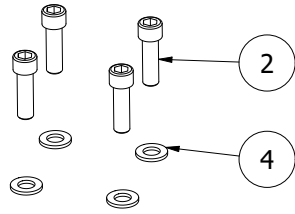
# 472512

| 472512 |                              |                      |                              |                |                        |        |     |
|--------|------------------------------|----------------------|------------------------------|----------------|------------------------|--------|-----|
| Pos    | Name                         | Nahme                | Benämning                    | Nimike         | Specifikation          | NO     | Pcs |
| 1      | Screw                        | Shraube              | 6-K Skruv Dg                 | Kuusioruuvi    | DIN 931 8.8 M20x240 Zn | 130613 | 6   |
| 2      | Nut                          | Muttern              | Låsmutter                    | Lukitusmutteri | DIN 985-8 M20 Zn       | 131635 | 6   |
| 3      | Washer                       | Scheibe              | Bricka                       | Aluslaatta     | DIN 125A M20/21 Zn     | 131830 | 12  |
| 4      | Plain bearing                | Gleitlager           | Glidlager                    | Liukulaakeri   | Ø 50/55L=40 COB092     | 140069 | 2   |
| 5      | Grease nipple                | Smiernippel          | Smörjnippa                   | Voitelunippa   | M6x1                   | 140950 | 2   |
| 6      | Double nipple                | Doppelnippel         | Dubbelnippa                  | Kuristusnippa  | 1/2"-1/2" 04000-08     | 143106 | 1   |
| 7      | "I" adaptor with male thread | Vinkel nippel        | Vinkel                       | Kulmanippa     | 1/2" - 1/2" 04490-08   | 143184 | 1   |
| 8      | Bonded gasket                | Dichtung             | Usit-tätning                 | Usit-tiiviste  | 1/2" USITR-08          | 146004 | 1   |
| 9      | Cylinder                     | Hebezyylinder        | Lyftcylinder scorpio         | Nostocylinteri |                        | 146703 | 1   |
| 10     | Spacer                       | Distanz              | Mellanhylsa                  | Väliholkki     |                        | 472503 | 4   |
| 11     | Liftingplate                 | Blech                | Lyftplåt, svets höger, inner | Nostopelti     |                        | 472505 | 1   |
| 12     | Liftingplate                 | Blech                | Lyftplåt, svets höger, yttre | Nostopelti     |                        | 472508 | 1   |
| 13     | Spacer                       | Distanz              | Mellanplåt, svets            | Väliholkki     |                        | 472511 | 1   |
| 14     | Hose clamp                   | Schlauch befestigung | Slanghållare vid dragbom     | Letkun pidike  |                        | 805430 | 1   |



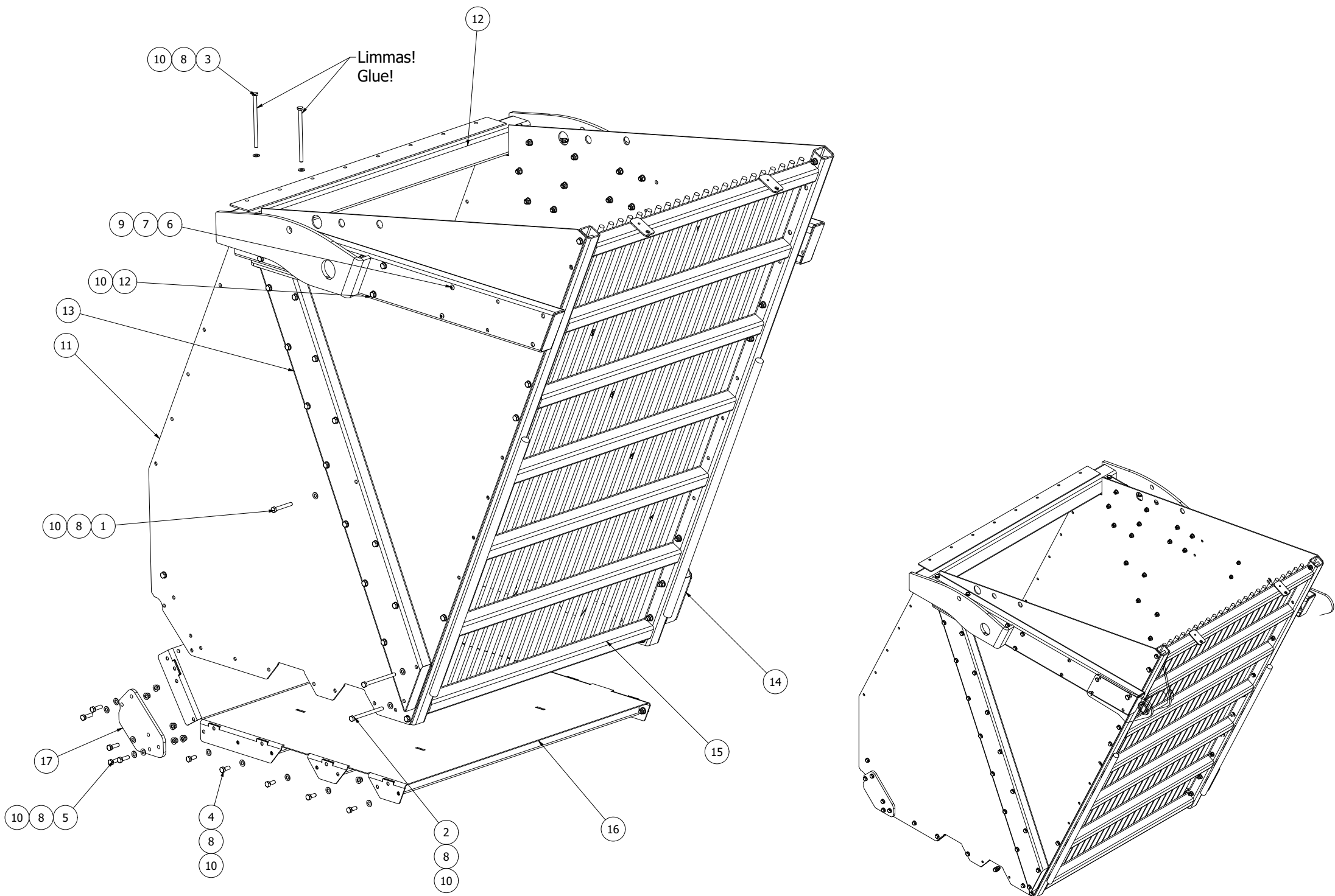
## 472551

| Pos | Name            | Nahme                | Benämning                | Nimike               | Specification               | NO     | Pcs |
|-----|-----------------|----------------------|--------------------------|----------------------|-----------------------------|--------|-----|
| 1   | Screw           | Schraube             | 6-k Skruv hg             | Kuusioruuvi          | DIN 933 8.8 M10X20 ZN       | 130840 | 1   |
| 2   | Screw           | Schraube             | I-6 Skruv                | 6-koloruuvvi         | DIN 912 8.8 M12x40 Zn       | 131381 | 4   |
| 3   | Washer          | Scheibe              | Karosseribricka          | Korialuslevy         | DIN 9021 M10/10.5X30X2.5 ZN | 131930 | 1   |
| 4   | Washer          | Scheibe              | Låsbricka                | Lukituslaatta        | NORD-LOCK M12 ZNC           | 133460 | 4   |
| 5   | Hydraulic motor | Hydraul Motor        | Hydraulmotor OMS125      | Hydrauliikka moottor | monterad                    | 472301 | 1   |
| 6   | Gearbox         | Getriebe             | Växellåda förmontering   | Kulmavaihde          | höger/vänster               | 472653 | 1   |
| 7   | Hose clamp      | Schlauch befestigung | Slanghållare vid dragbom | Letkun pidike        |                             | 805430 | 1   |



## 472552

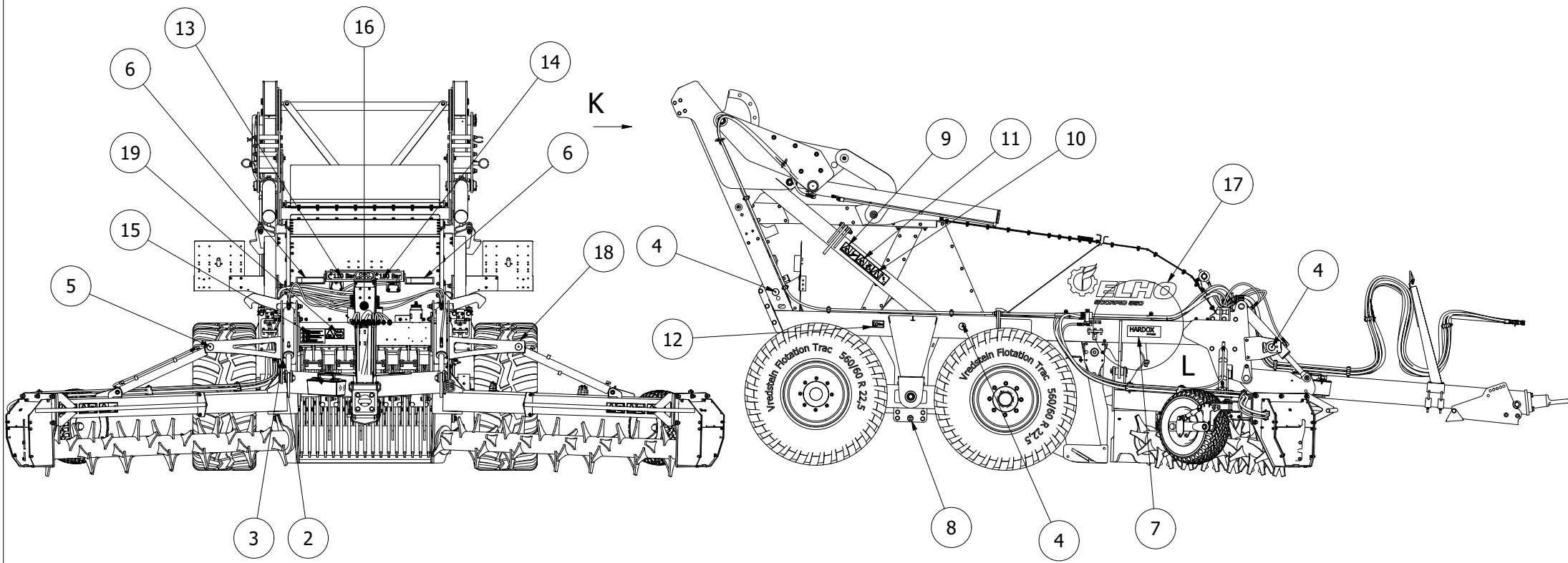
| Pos | Name            | Nahme                | Benämning                | Nimike               | Specification               | NO     | Pcs |
|-----|-----------------|----------------------|--------------------------|----------------------|-----------------------------|--------|-----|
| 1   | Screw           | Schraube             | 6-k Skruv hg             | Kuusioruuvi          | DIN 933 8.8 M10X20 ZN       | 130840 | 1   |
| 2   | Screw           | Schraube             | I-6 Skruv                | 6-koloruuvvi         | DIN 912 8.8 M12x40 Zn       | 131381 | 4   |
| 3   | Washer          | Scheibe              | Karosseribricka          | Korialuslevy         | DIN 9021 M10/10.5X30X2.5 ZN | 131930 | 1   |
| 4   | Washer          | Scheibe              | Låsbricka                | Lukituslaatta        | NORD-LOCK M12 ZNC           | 133460 | 4   |
| 5   | Hydraulic motor | Hydraul Motor        | Hydraulmotor OMS125      | Hydrauliikka moottor | monterad                    | 472301 | 1   |
| 6   | Gearbox         | Getriebe             | Växellåda förmontering   | Kulmavaihde          | höger/vänster               | 472653 | 1   |
| 7   | Hose clamp      | Schlauch befestigung | Slanghållare vid dragbom | Letkun pidike        |                             | 805430 | 1   |





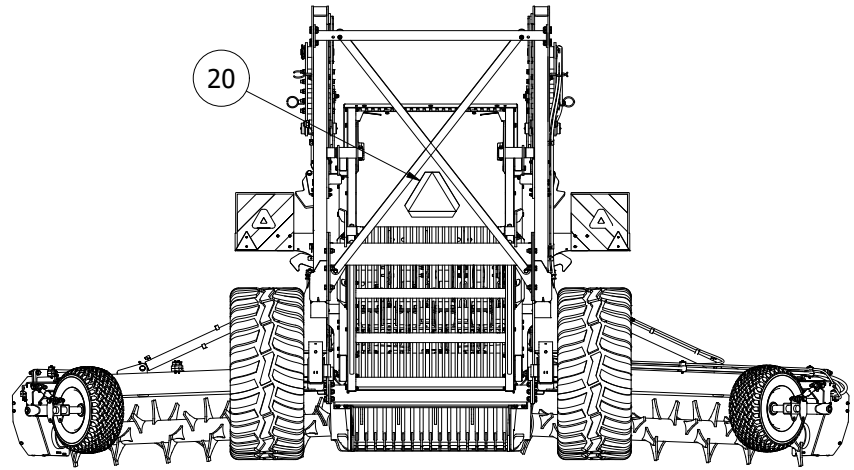
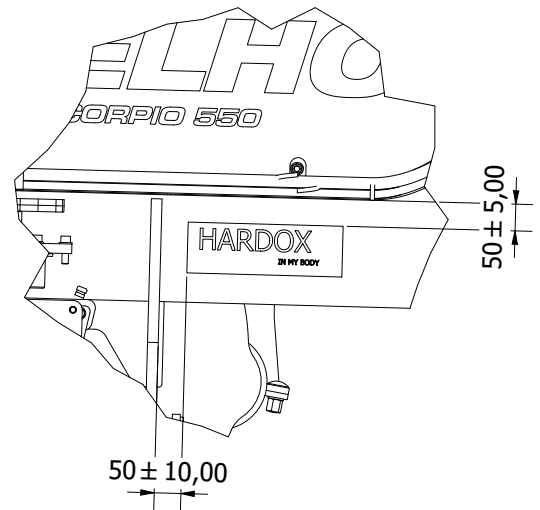
## 472230

| Pos | Name             | Nahme              | Benämning                 | Nimike              | Specification          | NO     | Pcs |
|-----|------------------|--------------------|---------------------------|---------------------|------------------------|--------|-----|
| 1   | Screw            | Schraube           | 6-k Skruv dg              | Kuusioruuvi         | DIN 931 8.8 M12X85 ZN  | 130244 | 52  |
| 2   | Screw            | Schraube           | 6-k Skruv dg              | Kuusioruuvi         | DIN 931 8.8 M12X150 ZN | 130455 | 4   |
| 3   | Screw            | Schraube           | 6-k Skruv dg              | Kuusioruuvi         | DIN 931 8.8 M12x200 ZN | 130464 | 4   |
| 4   | Screw            | Schraube           | 6-k Skruv hg              | Kuusioruuvi         | DIN 933 8.8 M12X30 ZNC | 130971 | 12  |
| 5   | Screw            | Schraube           | 6-k Skruv hg              | Kuusioruuvi         | DIN 933 8.8 M12X40 ZN  | 131000 | 10  |
| 6   | I-6 screw        | I-6 Schraube       | I-6 Skruv kupol           | 6-koloruuvvi        | Din 7380 10.9 M10x80ZN | 131398 | 4   |
| 7   | Nut              | Muttern            | Låsmutter                 | Lukitusmutteri      | DIN 985-8 M10 ZN       | 131580 | 4   |
| 8   | Nut              | Muttern            | Låsmutter                 | Lukitusmutteri      | DIN 985-8 M12 ZN       | 131600 | 82  |
| 9   | Washer           | Scheibe            | Bricka                    | Aluslaatta          | DIN 125A M10/10.5 ZN   | 131770 | 4   |
| 10  | Washer           | Scheibe            | Bricka                    | Aluslaatta          | DIN 125A M12/13 ZN     | 131790 | 164 |
| 11  | endplate         | Endplatte          | Gavelplåt                 | Sivupelti           |                        | 472047 | 2   |
| 12  | Bracket          | Befestigung        | Lyftram                   | Nostorunko          |                        | 472056 | 1   |
| 13  | reinforcing beam | Verstärkungsträger | Förstärckningsbalk, svets | vahvistaminenpalkki | Vänster                | 472058 | 1   |
| 14  | reinforcing beam | Verstärkungsträger | Förstärckningsbalk, Svets | vahvistaminenpalkki | Höger                  | 472061 | 1   |
| 15  | rear wall        | Rückwand           | Bakvägg                   | Takaseinä           |                        | 472168 | 1   |
| 16  | Container base   | Behälterboden      | Lådbotten                 | Kontin alustasta    |                        | 472226 | 1   |
| 17  | reinforcment     | Verstärkung        | Förstärckning             | vahvistaminen       |                        | 472229 | 2   |



L (0,1 : 1)

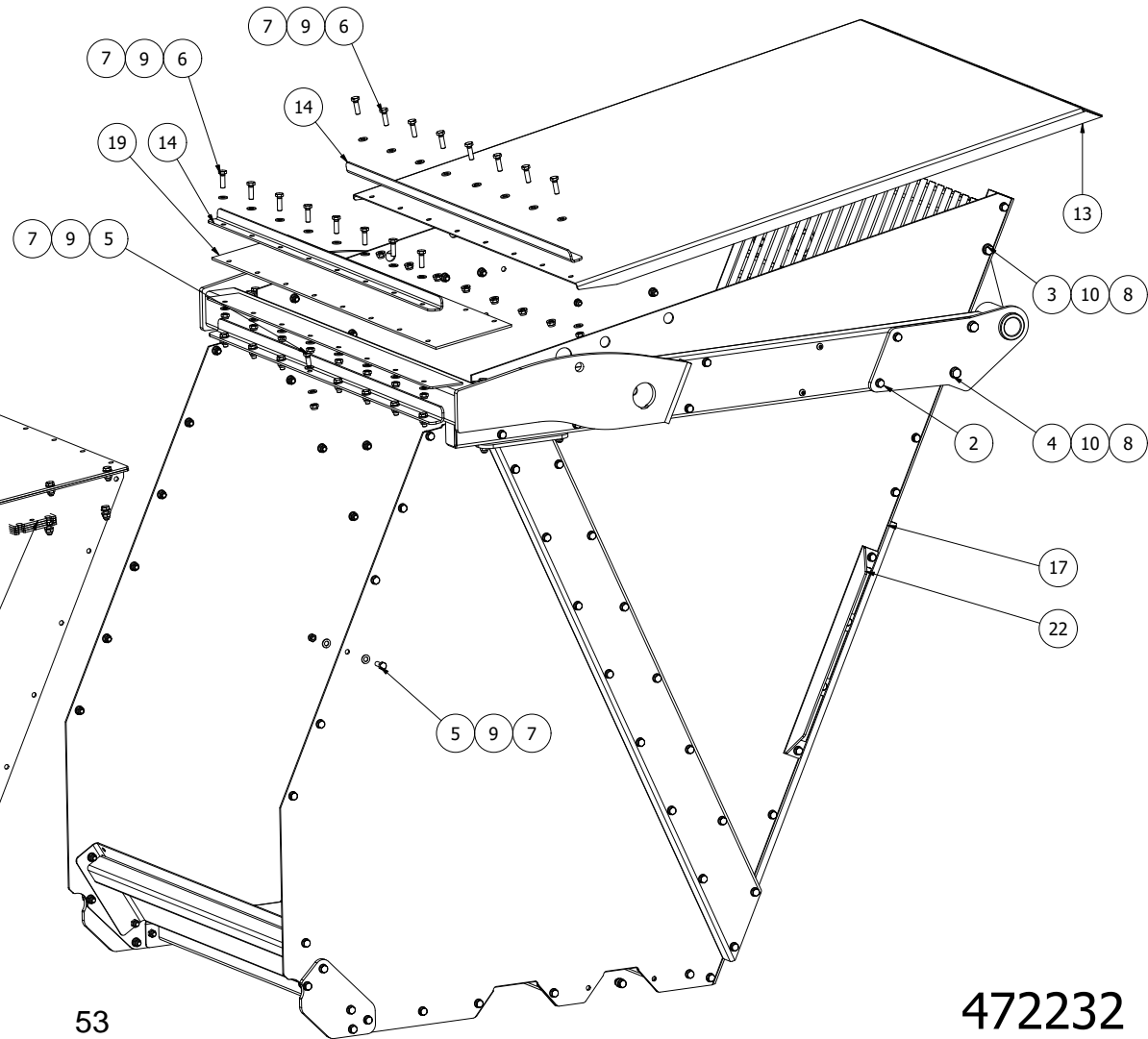
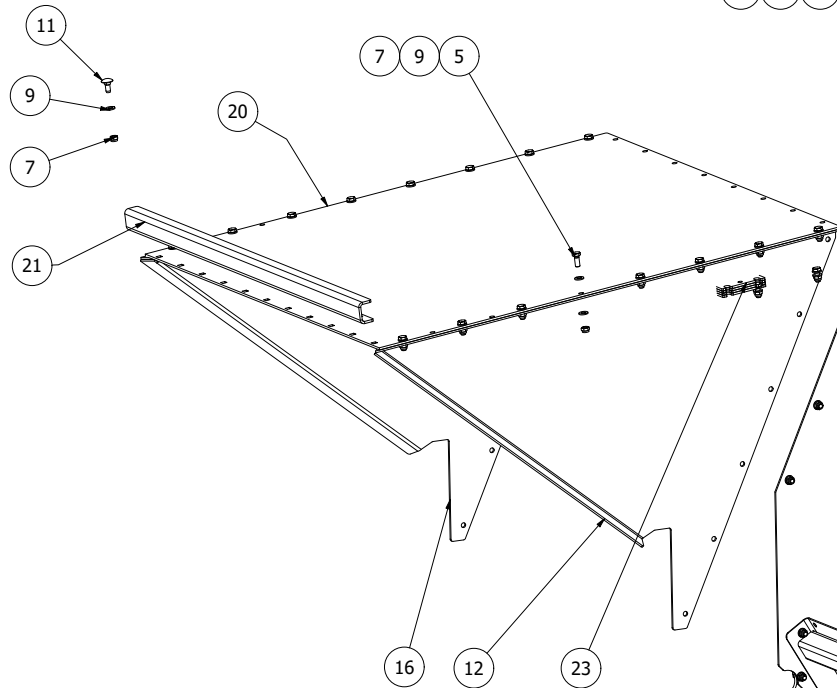
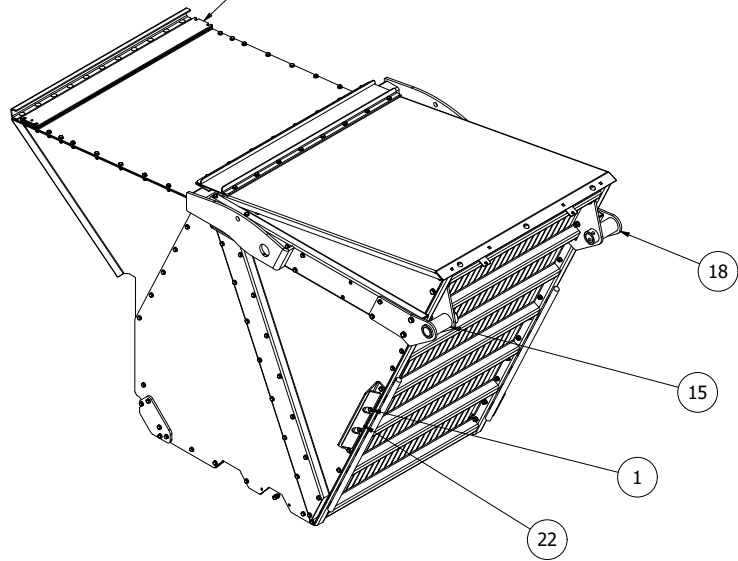
K



## 472424

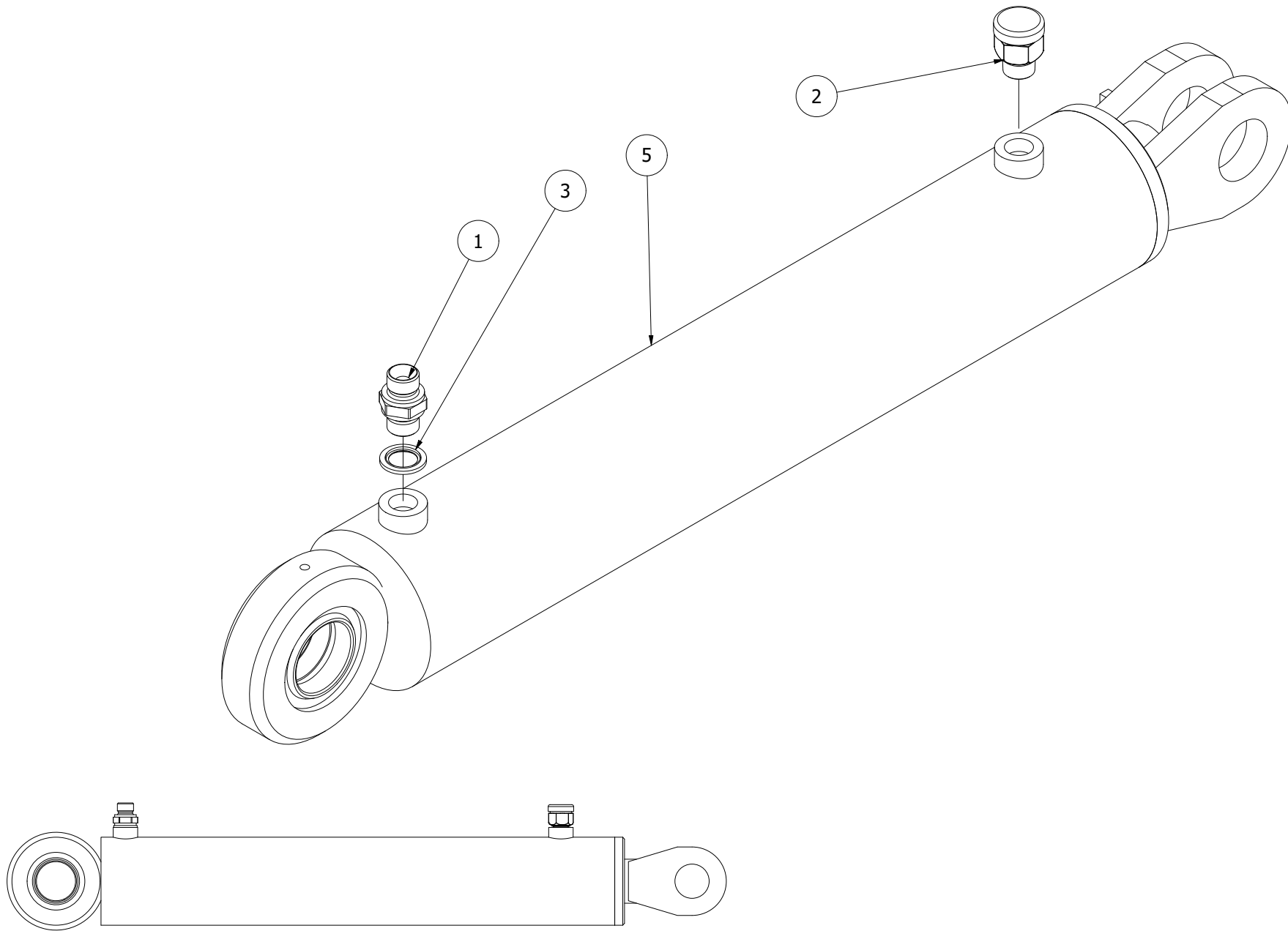
| Pos | Name               | Nahme                    | Benämning                           | Nimike                          | Specification         | NO     | Pcs |
|-----|--------------------|--------------------------|-------------------------------------|---------------------------------|-----------------------|--------|-----|
| 1   | Screw              | Schraube                 | 6-k Skruv hg                        | Kuusioruuvi                     | DIN 933 8.8 M10X40 ZN | 130920 | 4   |
| 2   | Nut                | Muttern                  | Låsmutter                           | Lukitusmutteri                  | DIN 985-8 M10 ZN      | 131580 | 4   |
| 3   | Washer             | Scheibe                  | Bricka                              | Aluslaatta                      | DIN 125A M10/10.5 ZN  | 131770 | 8   |
| 4   | Reflectors Yellow  | Rückstrahler Gelb        | Reflex gul                          | Hejastin keltainen              | Ø60                   | 142630 | 8   |
| 5   | Reflectors White   | Rückstrahler Weiss       | Reflex Vit                          | Hejastin Valkoinen              | Ø60                   | 142631 | 2   |
| 6   | Sticker            | Aufkleber                | Dekal, Djupreglering                | Tarra                           |                       | 148004 | 2   |
| 7   | Decal              | Aufkleber                | Dekal, Hardox                       | Tarra                           |                       | 148008 | 2   |
| 8   | Decal              | Aufkleber                | Dekal                               | Tarra                           | Jackpoint             | 149037 | 2   |
| 9   | Safety decals      | Schutzwarnung            | Varningsdekal säkerhetslås          | Varoitusmerkki                  |                       | 149122 | 2   |
| 10  | Safety decals      | Schutzwarnung            | Varningsdekal avst. till elledning  | Varoitusmerkki                  |                       | 149123 | 2   |
| 11  | Safety decals      | Schutzwarnung            | Varningsdekal kippa inte i sluttnir | Varoitusmerkki                  |                       | 149124 | 2   |
| 12  | Sticker            | Aufkleber                | Dekal tryck 2 bar                   | Tarra                           |                       | 149127 | 2   |
| 13  | Sticker            | Aufkleber                | Rotationstryck 110 bar              | Tarra                           |                       | 149129 | 1   |
| 14  | Sticker            | Aufkleber                | Rotationstryck 150 bar              | Tarra                           |                       | 149146 | 1   |
| 15  | Sticker            | Kleber                   | Varning för blockerad maskin        | Tarra                           |                       | 149212 | 1   |
| 16  | Sticker            | Aufkleber                | Dekal hydr.koppl.                   | Tarra                           | Scorpio 550           | 149234 | 1   |
| 17  | Sticker            | Aufkleber                | Dekal                               | Tarra                           | Scorpio 550           | 149606 | 2   |
| 18  | Reflex bracket     | Rückstrahler Befestigung | Reflex fäste                        | Heijastin kiinnike              |                       | 472679 | 2   |
| 19  | Warning remove key | Zündschlüsselwarnung     | Handbok- STOP                       | Varoitus pysäytä kone poista av |                       | 508650 | 1   |
| 20  | warning triangle   | Warndreieck              | Triangel, skylt för långsamtgåenc   | varoituskolmio                  | ST0134T               | 822183 | 1   |

Extra weight, 4x472778 = 32 Kg



## 472232

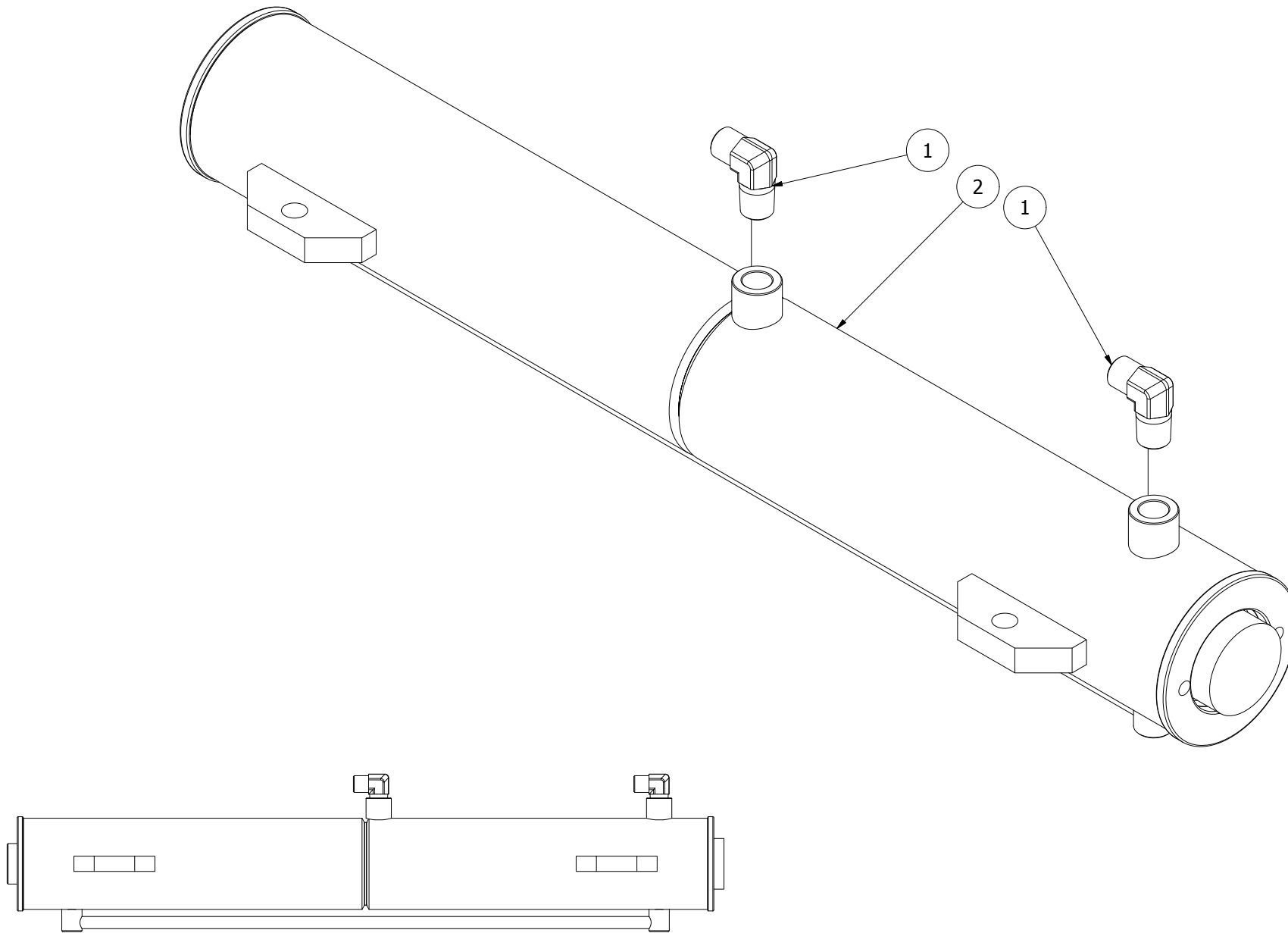
| Pos | Name            | Nahme              | Benämning        | Nimike         | Specification            | NO     | Pcs |
|-----|-----------------|--------------------|------------------|----------------|--------------------------|--------|-----|
| 1   | Screw           | Schraube           | 6-k Skruv dg     | Kuusioruuvi    | DIN 931 8.8 M12X90 ZN    | 130385 | 8   |
| 2   | Screw           | Schraube           | 6-k Skruv dg     | Kuusioruuvi    | DIN 931 8.8 M12X100 ZN   | 130390 | 4   |
| 3   | Screw           | Schraube           | 6-k Skruv dg     | Kuusioruuvi    | DIN 931 8.8 M16X110 ZN   | 130540 | 2   |
| 4   | Screw           | Schraube           | 6-k Skruv dg     | Kuusioruuvi    | DIN 931 10.9 M16X180 ZNC | 130611 | 4   |
| 5   | Screw           | Schraube           | 6-k Skruv hg     | Kuusioruuvi    | DIN 933 8.8 M12X30 ZNC   | 130971 | 40  |
| 6   | Screw           | Schraube           | 6-k Skruv hg     | Kuusioruuvi    | DIN 933 8.8 M12X40 ZN    | 131000 | 16  |
| 7   | Nut             | Muttern            | Låsmutter        | Lukitusmutteri | DIN 985-8 M12 ZN         | 131600 | 79  |
| 8   | Nut             | Muttern            | Låsmutter        | Lukitusmutteri | DIN 985-8 M16 ZN         | 131630 | 6   |
| 9   | Washer          | Scheibe            | Bricka           | Aluslaatta     | DIN 125A M12/13 ZN       | 131790 | 147 |
| 10  | Washer          | Scheibe            | Bricka           | Aluslaatta     | DIN 125A M16/17 ZN       | 131810 | 12  |
| 11  | Cup bolts       | Flachrundschrabe   | Låsskruv         | Lukkoruuvi     | DIN 603 8.8 M12x30 ZN    | 132719 | 11  |
| 12  | Cover plate     | Befästigung        | Täckplåt Vänster | Peitelevy      |                          | 472049 | 1   |
| 13  | endplate        | Endplatte          | Gavelplåt        | Sivupelti      | Lucka                    | 472050 | 1   |
| 14  | fastening strip | Befestigungsleiste | Fästlist2        | kiinnitysnauha |                          | 472170 | 2   |
| 15  | Bracket         | Befestigung        | Fäste, vänster   | Kinnike        |                          | 472205 | 1   |
| 16  | Cover plate     | Befästigung        | Täckplåt Höger   | Peitelevy      |                          | 472228 | 1   |
| 17  | container       | Behälter           | Behållare        | såiliö         | Montering1               | 472230 | 1   |
| 18  | Bracket right   | Winkelträger recht | Fäste, Höger     | kiinnike oikea |                          | 472231 | 1   |
| 19  | rubber strip    | Gummistreifen      | Gummi list       | kumilista      |                          | 472234 | 1   |
| 20  | cover plate     | Befästigung        | Övreplåt         | Peitelevy      |                          | 472497 | 1   |
| 21  | List            | Liste              | list             | Kaistale       |                          | 472498 | 1   |
| 22  |                 |                    | Styrlist         |                | Stenlåda                 | 472755 | 2   |
| 23  | Weight          | Gewicht            | Vikt             | Paino          | Stenlåda                 | 472778 | 4   |



Sealkit: 146033

## 472416

| Pos | Name          | Nahme          | Benämning     | Nimike        | Specifikation      | NO     | Pcs |
|-----|---------------|----------------|---------------|---------------|--------------------|--------|-----|
| 1   | Double nipple | Doppelnippel   | Dubbelnippa   | Kaksoisnippa  | 3/8"-3/8" 04000-06 | 143104 | 1   |
| 2   | Air nipple    | Luft Nippeln   | Luftnippel    | Ilmanippa     | För cylinder 3/8"  | 143327 | 1   |
| 3   | Bonded gasket | Dichtung       | Usit-tätning  | Usit-tiiviste | 3/8" USITR-06      | 146003 | 1   |
| 4   | Cylinder      | Zylinder       | Cylinder      | Sylinteri     | Ø80/45 650 -x000   | 146757 | 1   |
| 5   | Sealkit       | Dichtungssätze | Tätningsserie | Tiivistesarja |                    | 146033 | 1   |





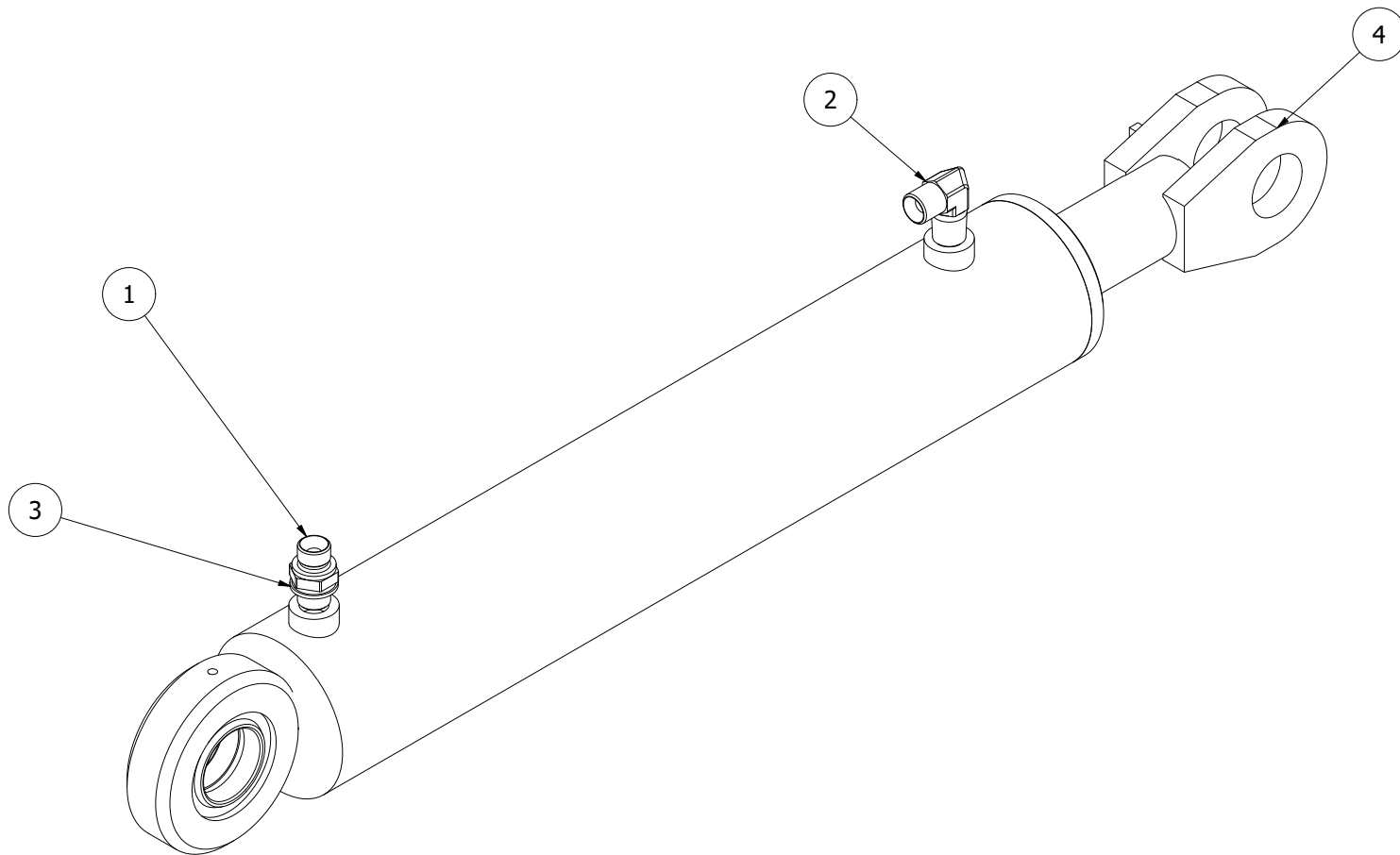
472388

| Pos | Name        | Nahme          | Benämning     | Nimike        | Specifikation        | NO     | Pcs |
|-----|-------------|----------------|---------------|---------------|----------------------|--------|-----|
| 1   | "I" adaptor | Vinkel nippel  | Vinkel        | Kulmanippa    | 3/8" - 3/8" 04490-06 | 143182 | 2   |
| 2   | Cylinder    | Zylinder       | Cylinder      | Sylinteri     | D=80/50-40           | 146770 | 1   |
| 3   | Sealkit     | Dichtungssätze | Tätningsserie | Tiivistesarja |                      | 146029 | 1   |

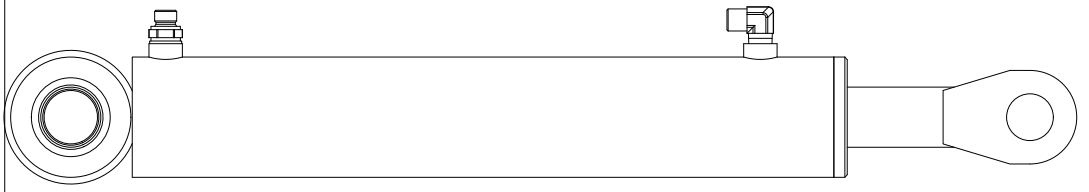


## 472262

| Pos | Name               | Nahme              | Benämning                    | Nimike             | Specification          | NO     | Pcs |
|-----|--------------------|--------------------|------------------------------|--------------------|------------------------|--------|-----|
| 1   | Screw              | Schraube           | 6-k Skruv dg                 | Kuusioruuvi        | DIN 931 8.8 M12X120 ZN | 130430 | 4   |
| 2   | Screw              | Schraube           | 6-k Skruv dg                 | Kuusioruuvi        | DIN 931 8.8 M20X130 ZN | 130592 | 1   |
| 3   | Screw              | Schraube           | 6-k Skruv dg                 | Kuusioruuvi        | DIN 931 8.8 M20x110 ZN | 130599 | 1   |
| 4   | Nut                | Muttern            | Låsmutter                    | Lukitusmutteri     | DIN 985-8 M12 ZN       | 131600 | 4   |
| 5   | Nut                | Muttern            | Låsmutter                    | Lukitusmutteri     | DIN 985-8 M20 ZN       | 131635 | 2   |
| 6   | Washer             | Scheibe            | Bricka                       | Aluslaatta         | DIN 125A M12/13 ZN     | 131790 | 8   |
| 7   | Washer             | Scheibe            | Bricka                       | Aluslaatta         | DIN 125A M20/21 ZN     | 131830 | 4   |
| 8   | Spring pin         | Spannhülsen        | Rörsprint                    | Jousisokka         | DIN 1481 8x50 ZN       | 132828 | 2   |
| 9   | Plain bearing      | Gleitlager         | Glidlager                    | Liukulaakeri       | Ø 30/34 L=30 COB092    | 140059 | 4   |
| 10  | Grease nipple      | Smiernippel        | Smörjnippa                   | Voitelunippa       | M6x1                   | 140950 | 1   |
| 11  | Grease nipple      | Smiernippel        | Smörjnippa                   | Voitelunippa       | M6x1, 90°              | 140970 | 1   |
| 12  | Sticker            | Aufkleber          | Dekal tryck 2 bar            | Tarra              |                        | 149127 | 1   |
| 13  | Adjusteble linkarm | Verstellbar Halter | Ställbar länkmarm med kulled | Säädettävä varsi   |                        | 411172 | 1   |
| 14  | Spacer             | Distantz           | Distans                      | Väliholkki         |                        | 413416 | 2   |
| 15  | Bar bracket        | Gelenkarm          | Övre Ledbalk                 | Puomi              |                        | 472250 | 1   |
| 16  | Wheel arm          | Reifen achse       | Hjularm                      | Pyöränvarsi        |                        | 472254 | 1   |
| 17  | Pin                | Stift              | Tapp, Ämne                   | tappi              | d=30                   | 472255 | 2   |
| 18  | Bracket            | Befestigung        | Fäste                        | Kinnike            | för stödhjul           | 472260 | 1   |
| 19  | Mounting plate     | Befestigung platte | Fästplatta                   | Kinnityslevy       |                        | 472525 | 1   |
| 20  | Wheel copl.        | Reifen mit felge   | Hjul kompl. (11619)          | Rengas täydellinen | (26x12.00-12)          | 805570 | 1   |



Seal kit: 146033



472418

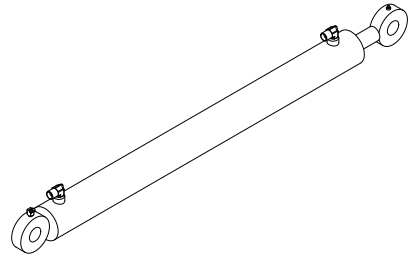
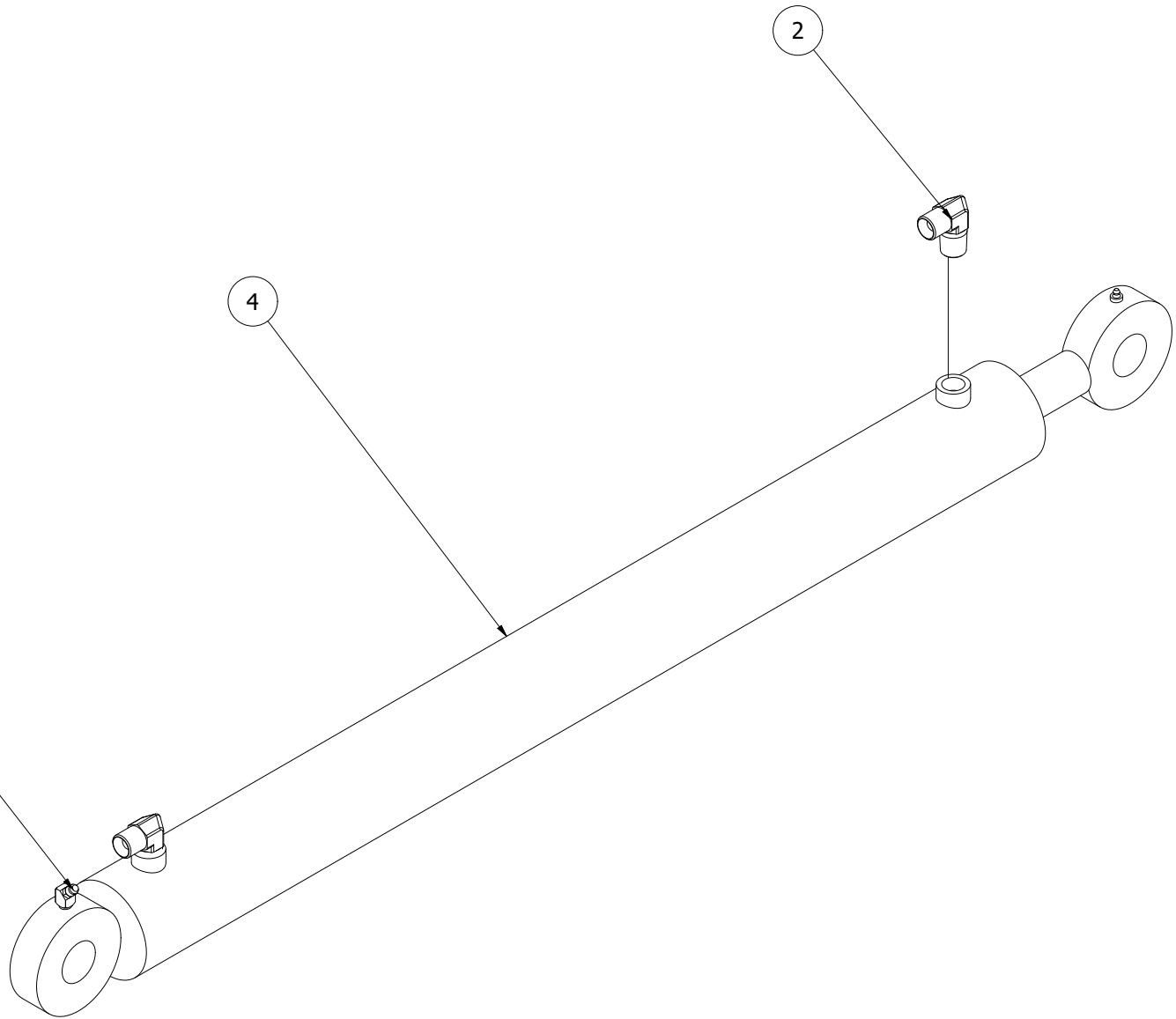
## 472418

| Pos | Name                        | Nahme                 | Benämning                          | Nimike               | Specification        | NO     | Pcs |
|-----|-----------------------------|-----------------------|------------------------------------|----------------------|----------------------|--------|-----|
| 1   | Double nipple               | Doppelnippel          | Dubbelnippa                        | Kaksoisnippa         | 3/8"-3/8" 04000-06   | 143104 | 1   |
| 2   | "L" adaptor                 | Vinkel nippel         | Vinkel                             | Kulmanippa           | 3/8" - 3/8" 04490-06 | 143182 | 1   |
| 3   | Bonded gasket               | Dichtung              | USIT-tätning                       | USIT-tiiviste        | 3/8" USITR-06        | 146003 | 1   |
| 4   | Cylinder                    | Zylinder              | Cylinder                           | Sylinteri            | Ø80/45 650 -x000     | 146757 | 1   |
| 5   | Sealkit for cylinder 146757 | Dichtungssätze 146757 | Tätningsserie till Cylinder 146757 | Tiivistesarja 146757 |                      | 146033 | 0   |

1

4

2

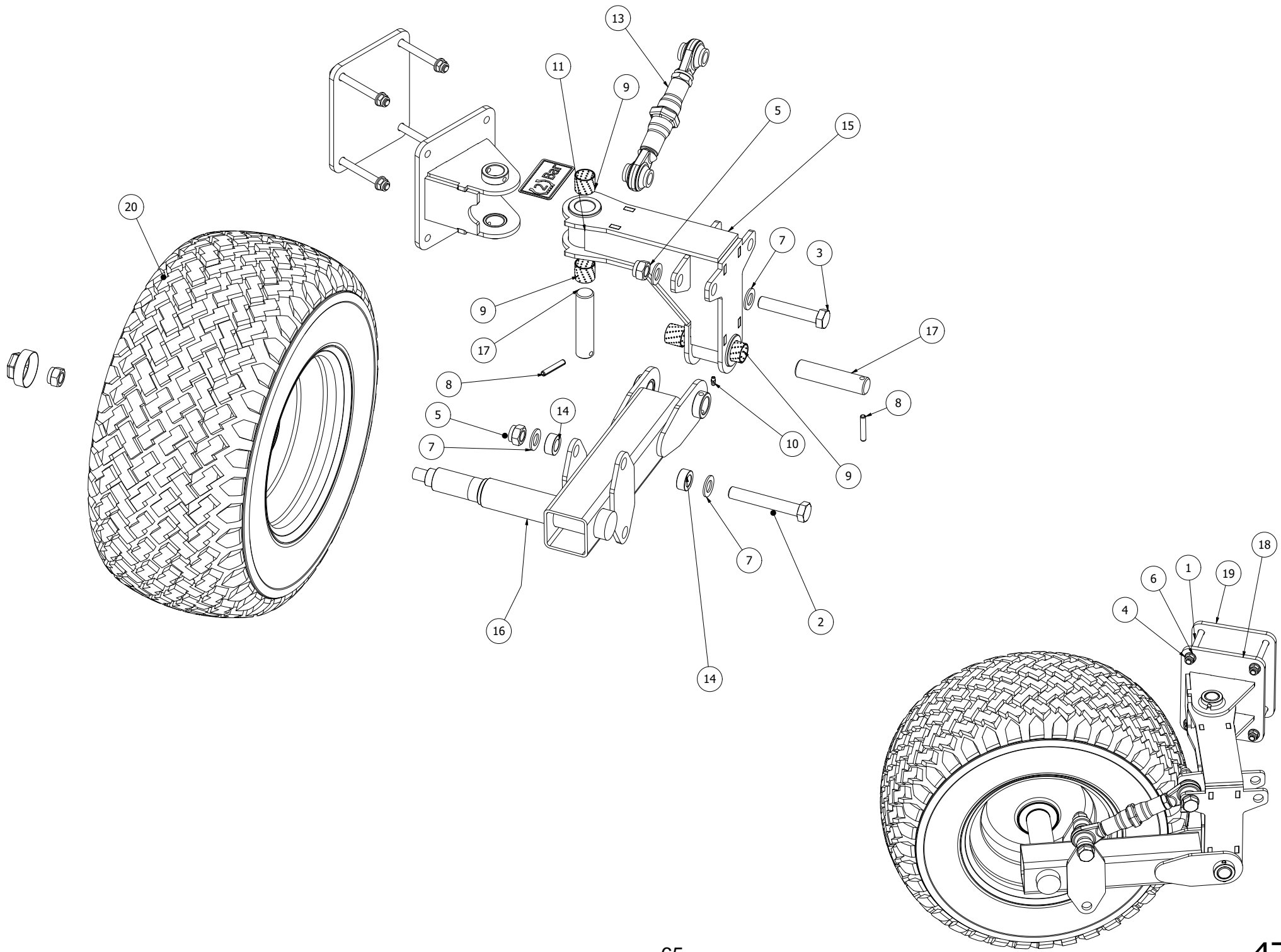


Seal kit: 146012

146758

## 146758

| Pos | Name                        | Nahme                 | Benämning                          | Nimike               | Specification        | NO     | Pcs |
|-----|-----------------------------|-----------------------|------------------------------------|----------------------|----------------------|--------|-----|
| 1   | Grease nipple               | Smiernippel           | Smörjnippa                         | Voitelunippa         | M6x1, 45°            | 140960 | 1   |
| 2   | "L" adaptor                 | Vinkel nippel         | Vinkel                             | Kulmanippa           | 3/8" - 3/8" 04490-06 | 143182 | 2   |
| 3   | Sealkit for cylinder 146753 | Dichtungssätze 146753 | Tätningsserie till Cylinder 146753 | Tiivistesarja 146753 |                      | 146012 | 0   |
| 4   | Cylinder                    | Zylinder              | Cylinder                           | Hydraulisyylinteri   | Ø63/30 950 -1685     | 146753 | 1   |



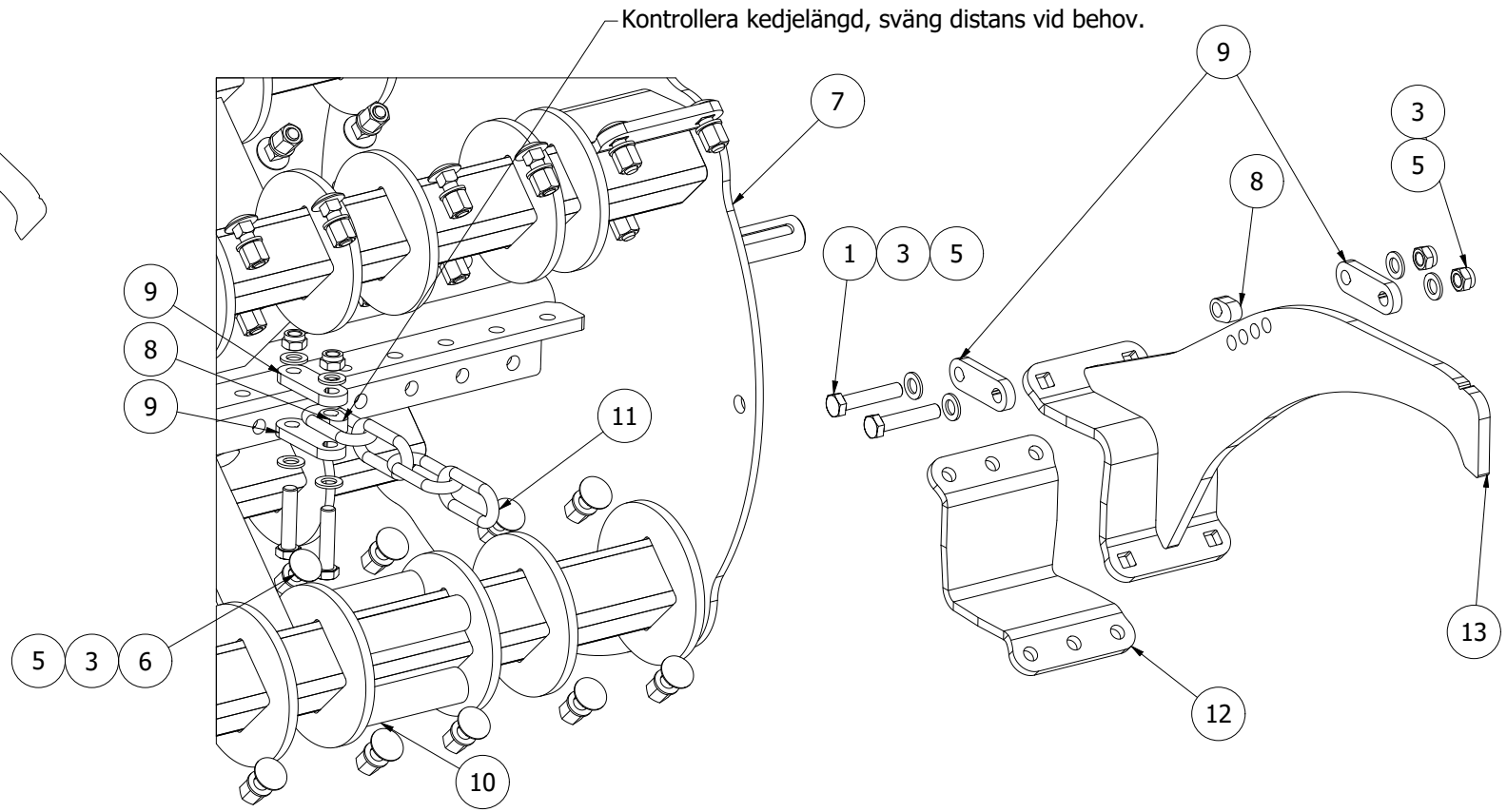
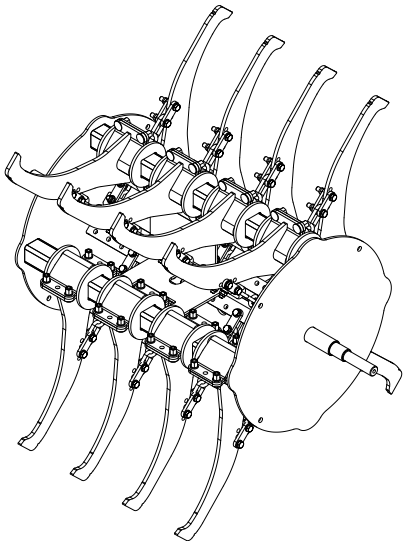
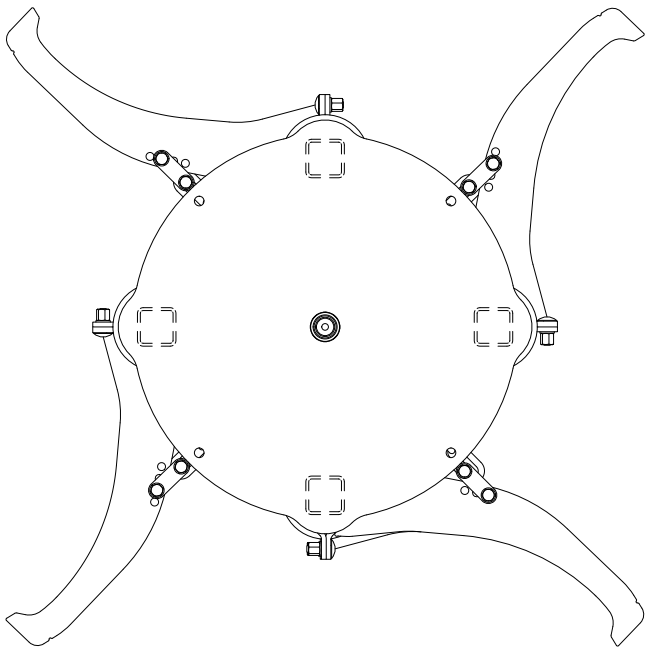
Right  
 Recht  
 Höger  
 Oikea

472261



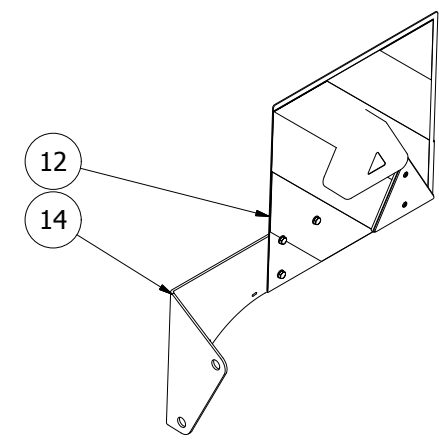
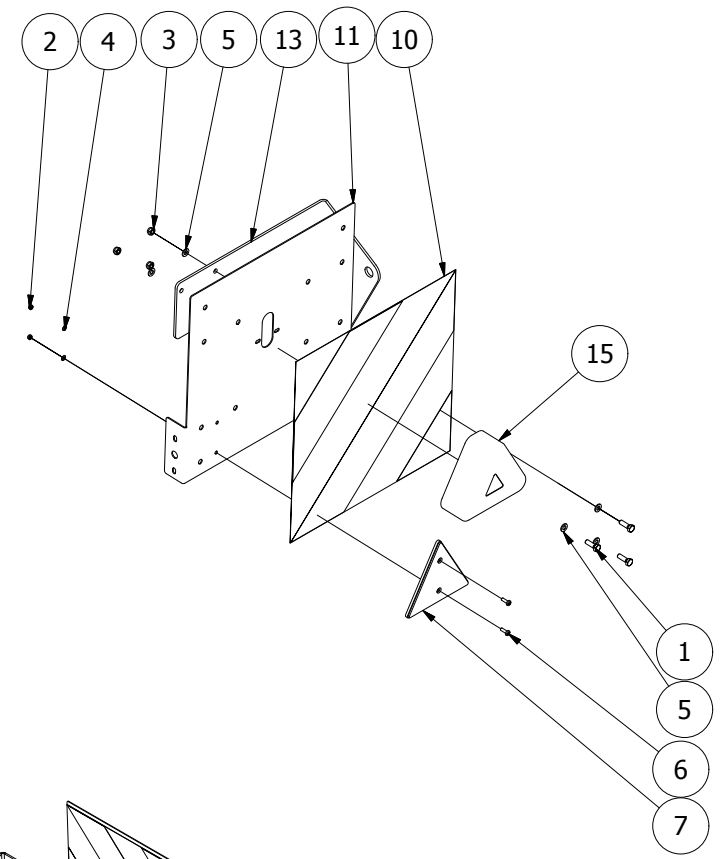
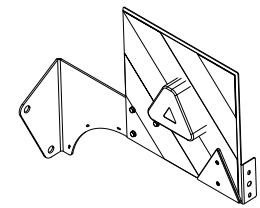
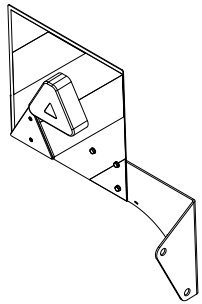
## 472261

| Pos | Name               | Nahme              | Benämning                    | Nimike             | Specification          | NO     | Pcs |
|-----|--------------------|--------------------|------------------------------|--------------------|------------------------|--------|-----|
| 1   | Screw              | Schraube           | 6-k Skruv dg                 | Kuusioruuvi        | DIN 931 8.8 M12X120 ZN | 130430 | 4   |
| 2   | Screw              | Schraube           | 6-k Skruv dg                 | Kuusioruuvi        | DIN 931 8.8 M20X130 ZN | 130592 | 1   |
| 3   | Screw              | Schraube           | 6-k Skruv dg                 | Kuusioruuvi        | DIN 931 8.8 M20x110 ZN | 130599 | 1   |
| 4   | Nut                | Muttern            | Låsmutter                    | Lukitusmutteri     | DIN 985-8 M12 ZN       | 131600 | 4   |
| 5   | Nut                | Muttern            | Låsmutter                    | Lukitusmutteri     | DIN 985-8 M20 ZN       | 131635 | 2   |
| 6   | Washer             | Scheibe            | Bricka                       | Aluslaatta         | DIN 125A M12/13 ZN     | 131790 | 8   |
| 7   | Washer             | Scheibe            | Bricka                       | Aluslaatta         | DIN 125A M20/21 ZN     | 131830 | 4   |
| 8   | Spring pin         | Spannhülsen        | Rörsprint                    | Jousisokka         | DIN 1481 8x50 ZN       | 132828 | 2   |
| 9   | Plain bearing      | Gleitlager         | Glidlager                    | Liukulaakeri       | Ø 30/34 L=30 COB092    | 140059 | 4   |
| 10  | Grease nipple      | Smiernippel        | Smörjnippa                   | Voitelunippa       | M6x1                   | 140950 | 1   |
| 11  | Grease nipple      | Smiernippel        | Smörjnippa                   | Voitelunippa       | M6x1, 90°              | 140970 | 1   |
| 12  | Sticker            | Aufkleber          | Dekal tryck 2 bar            | Tarra              |                        | 149127 | 1   |
| 13  | Adjusteble linkarm | Verstellbar Halter | Ställbar länkmarm med kulled | Säädettävä varsi   |                        | 411172 | 1   |
| 14  | Spacer             | Distantz           | Distans                      | Väliholkki         |                        | 413416 | 2   |
| 15  | Bar bracket        | Gelenkarm          | Övre Ledbalk                 | Puomi              |                        | 472250 | 1   |
| 16  | Wheel arm          | Reifen achse       | Hjularm                      | Pyöränvarsi        |                        | 472254 | 1   |
| 17  | Pin                | Stift              | Tapp, Ämne                   | tappi              | d=30                   | 472255 | 2   |
| 18  | Bracket            | Befestigung        | Fäste                        | Kinnike            | för stödhjul           | 472260 | 1   |
| 19  | Mounting plate     | Befestigung platte | Fästplatta                   | Kinnityslevy       |                        | 472525 | 1   |
| 20  | Wheel copl.        | Reifen mit felge   | Hjul kompl. (11619)          | Rengas täydellinen | (26x12.00-12)          | 805570 | 1   |

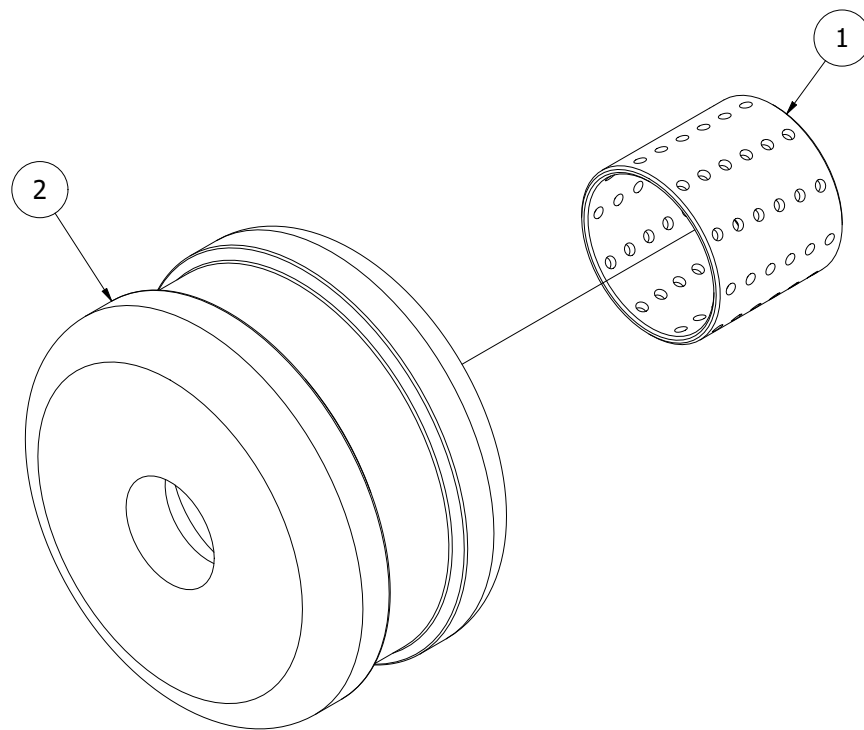


## 472339

| Pos | Name            | Nahme                | Benämning                | Nimike               | Specification          | NO     | Pcs |
|-----|-----------------|----------------------|--------------------------|----------------------|------------------------|--------|-----|
| 1   | Screw           | Schraube             | 6-k Skruv dg             | Kuusioruuvi          | DIN 931 10.9 M16X80 ZN | 130541 | 32  |
| 2   | Screw           | Schraube             | 6-K Skruv Dg             | Kuusioruuvi          | DIN 931 10.9 M16x70 Zn | 130543 | 32  |
| 3   | Nut             | Muttern              | Låsmutter                | Lukitusmutteri       | DIN 985-8 M16 ZN       | 131630 | 64  |
| 4   | Nut             | Mutter               | Högmutter DIN 6330-10 ZN | Mutteri              | M16                    | 131634 | 64  |
| 5   | Washer          | Scheibe              | Bricka                   | Aluslaatta           | DIN 125A M16/17 ZN     | 131810 | 192 |
| 6   | Bolt            | Bolzen               | Låsskruv                 | Lukkoruuvi           | DIN 603 M16x50 8.8 ZN  | 132735 | 64  |
| 7   | Rotor           | Rotor                | Inmatningsrotor          | roottori             |                        | 472337 | 1   |
| 8   | Spacer          | Distantz             | Distans                  | VÄLIKAPPALE          |                        | 472394 | 32  |
| 9   | Chainbracket    | Kettenhalterung      | Kedjefäste               | Ketju kiinnike       |                        | 472395 | 64  |
| 10  | Rubber rod      | Gummistange          | Gummi stång              | kumi tanko           |                        | 472398 | 64  |
| 11  | Limit chain     | Begrenzer kette      | Begränsar kätting        | Rajoitin ketju       |                        | 472399 | 16  |
| 12  | Feeder fastener | Zubringer verschluss | Tinn bygel               | Syöttölaite kiinnike | Undre                  | 472724 | 16  |
| 13  | Feeder          | Zubringer            | Inmatningstinn V2        | Syöttölaite          |                        | 472725 | 14  |
| 14  | Feeder          | Zubringer            | Inmatningstinn V2        | Syöttölaite          | Vänster                | 472784 | 1   |
| 15  | Feeder          | Zubringer            | Inmatningstinn V2        | Syöttölaite          | Höger                  | 472785 | 1   |

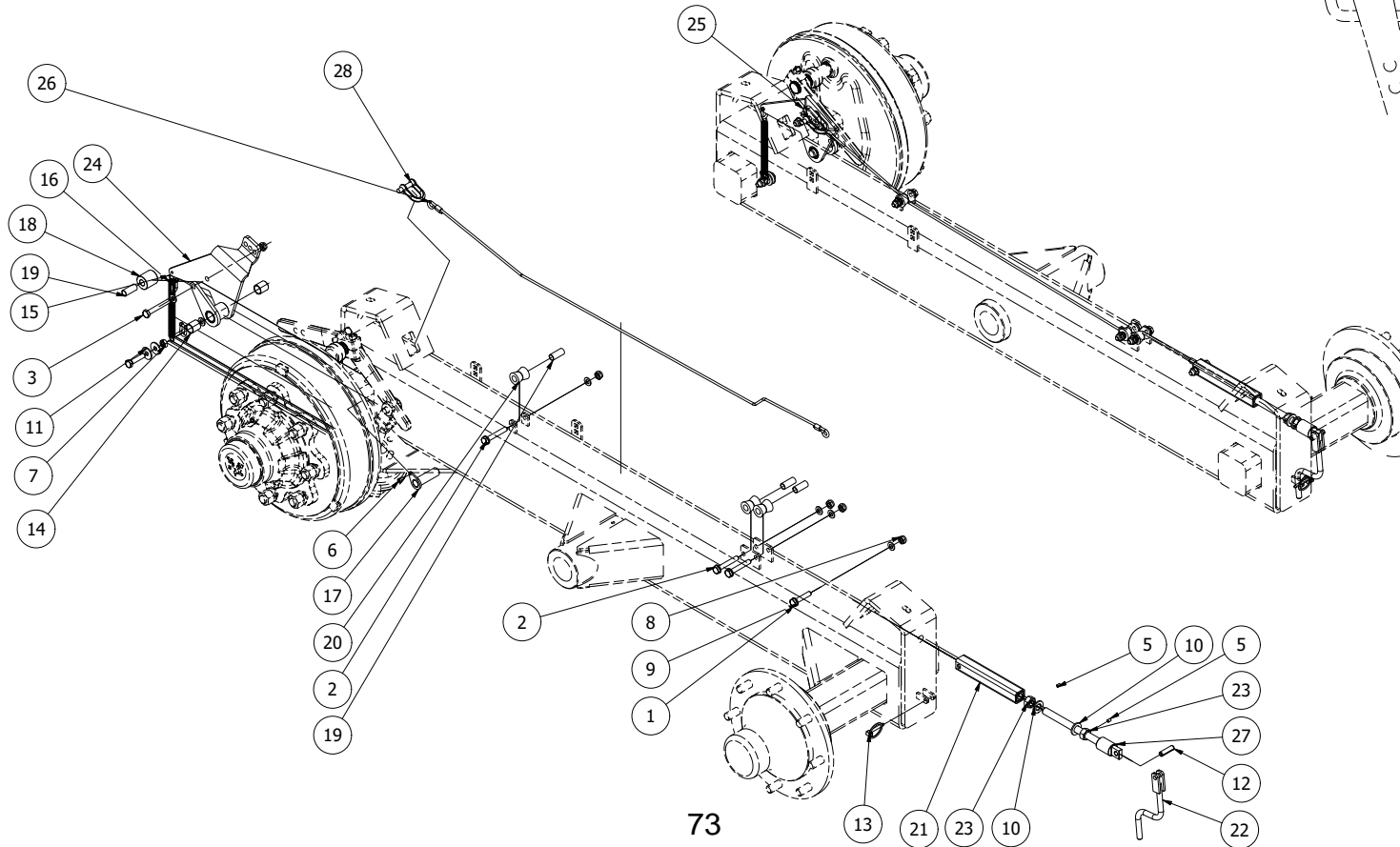
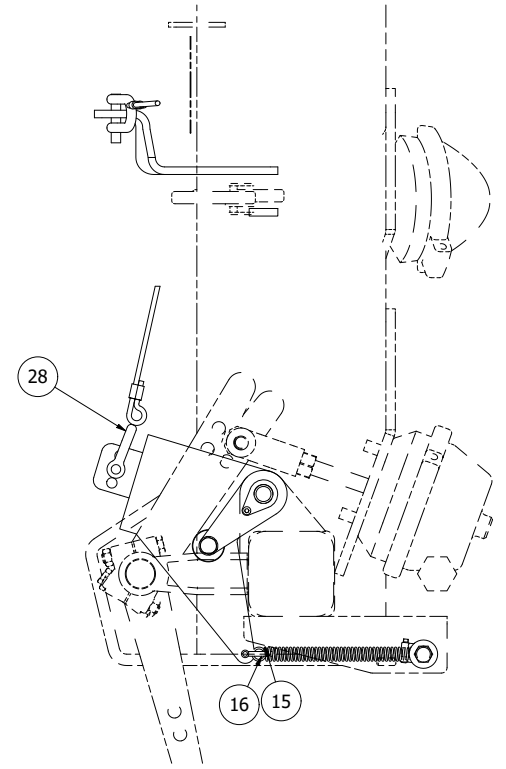
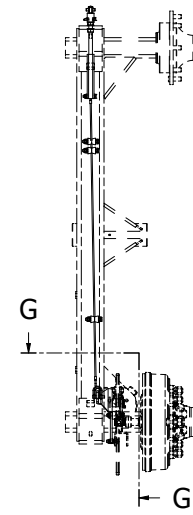
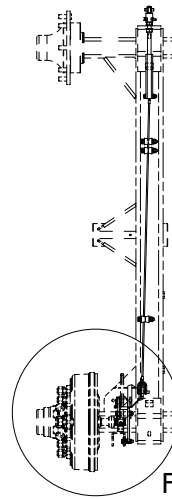
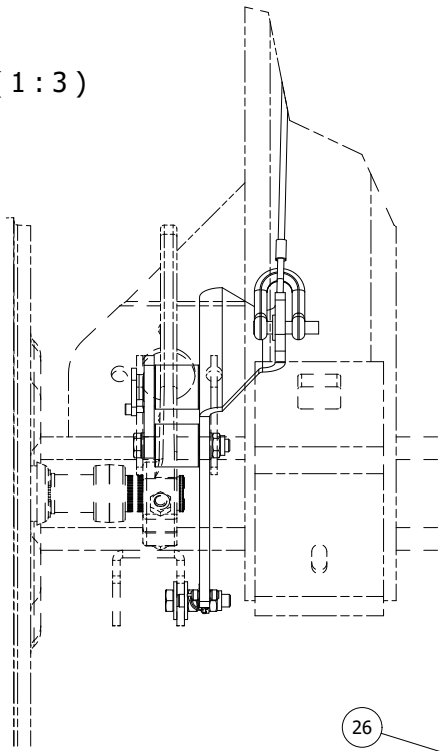


| 472425 |                     |                          |                      |                        |                               |        |     |
|--------|---------------------|--------------------------|----------------------|------------------------|-------------------------------|--------|-----|
| Pos    | Name                | Nahme                    | Benämning            | Nimike                 | Specifikation                 | NO     | Pcs |
| 1      | Screw               | Schraube                 | 6-K Skruv Hg         | Kuusioruuvi            | DIN 933 8.8 M8x25 Zn          | 130740 | 6   |
| 2      | Nut                 | Muttern                  | Låsmutter            | Lukitusmutteri         | DIN 985-8 M5 Zn               | 131550 | 4   |
| 3      | Nut                 | Muttern                  | Låsmutter            | Lukitusmutteri         | DIN 985-8 M8 Zn               | 131570 | 6   |
| 4      | Washer              | Scheibe                  | Bricka               | Aluslaatta             | DIN 125A M 5/5.3 ZN           | 131710 | 4   |
| 5      | Washer              | Scheibe                  | Bricka               | Aluslaatta             | DIN 125A M8/8.4 Zn            | 131750 | 12  |
| 6      | Screw               | Schraube                 | Krysspårskruv        | Ristiuraruuvi          | DIN 7985 H M5x16 Zn           | 133267 | 4   |
| 7      | Triangle reflectors | Dreieckiger rückstrahler | Reflex triangel      | Hejastinkolmio         |                               | 142620 | 2   |
| 8      | Cable               | Kabel                    | Ledning 10m          | Kaapeli                | 7 pol. kontakt 1400900210     | 142722 | 1   |
| 9      | Cable               | Kabel                    | Ledningar för lampor | Kaapeli                | Green and orange color 900224 | 142723 | 1   |
| 10     | Refletting panel    | Rückreflektorstafel      | Rödvit reflextape    | Hejastintarra          | Kvadratisk                    | 149138 | 2   |
| 11     | Sign plate left     | Varnkleberplatte Links   | Dekalplåt vänster    | Varoituskilvenpelti v. |                               | 415725 | 1   |
| 12     | Sign plate right    | Varnkleberplatte Rechts  | Dekalplåt höger      | Varoituskilvenpelti o. |                               | 415726 | 1   |
| 13     | Light plate         | Lichte befestigung       | Belysningsplåt       | Valaistuksen kiinnike  |                               | 472276 | 1   |
| 14     | Light plate         | Lichte befestigung       | Belysningsplåt höger | Valaistuksen kiinnike  |                               | 472277 | 1   |
| 15     | Rear lights         | Lampe                    | Baklampa vänster     | Takavalo               | reg. belysning                | 472704 | 1   |
| 16     | Rear lights         | Lampe                    | Baklampa höger       | Takavalo               |                               | 472705 | 1   |



| 472553 |               |            |           |              |                     |        |     |
|--------|---------------|------------|-----------|--------------|---------------------|--------|-----|
| Pos    | Name          | Nahme      | Benämning | Nimike       | Specifikation       | NO     | Pcs |
| 1      | Plain bearing | Gleitlager | Glidlager | Liukulaakeri | Ø 50/55 L=50 COB092 | 140071 | 1   |
| 2      | Roll          | Rolle      | Rulle     | Rulla        |                     | 472272 | 1   |

F(1:3)



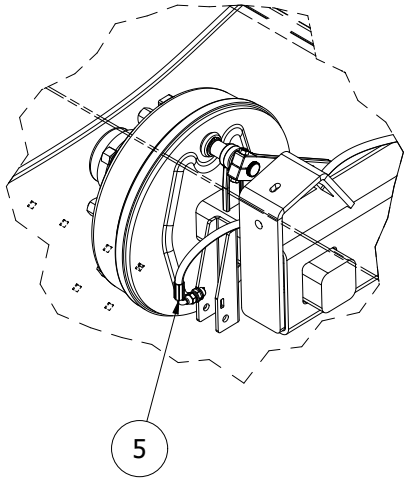
115016



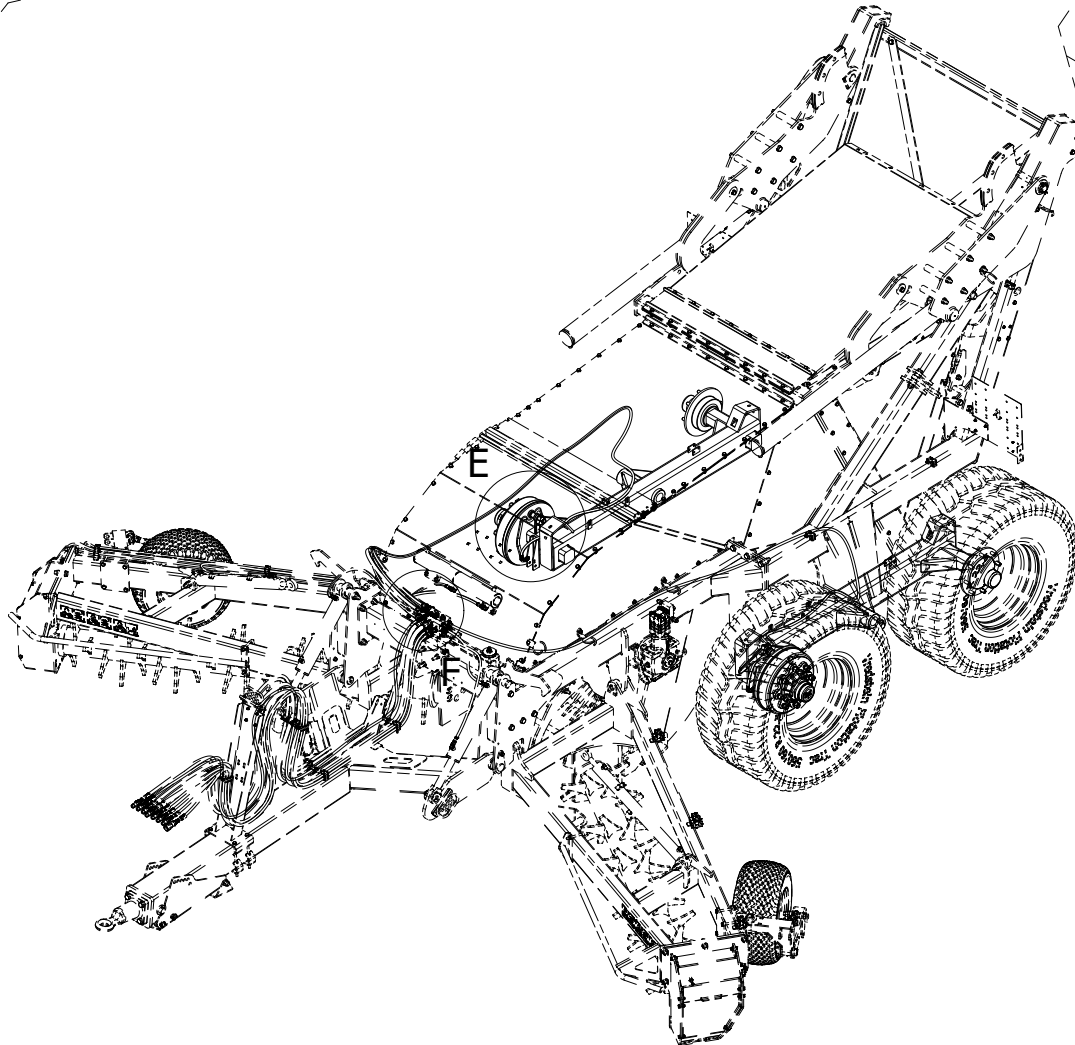
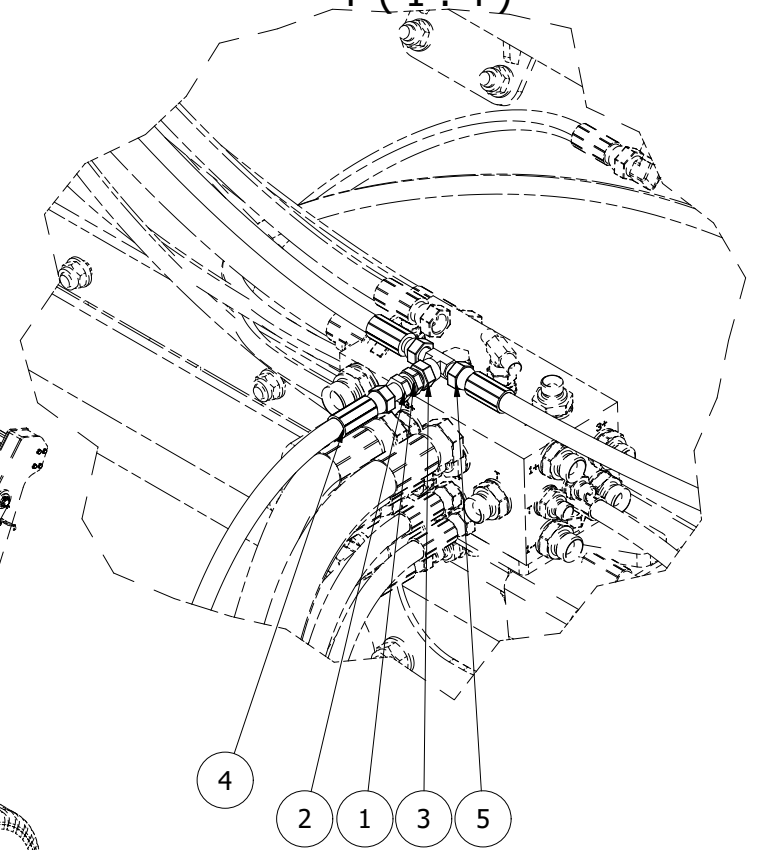
## 115016

| Pos | Name                    | Nahme                  | Benämning                 | Nimike                 | Specification               | NO     | Pcs |
|-----|-------------------------|------------------------|---------------------------|------------------------|-----------------------------|--------|-----|
| 1   | Screw                   | Schraube               | 6-k Skruv dg              | Kuusioruuvi            | DIN 931 8.8 M10X50 ZN       | 130110 | 2   |
| 2   | Screw                   | Schraube               | 6-k Skruv dg              | Kuusioruuvi            | DIN 931 8.8 M10X65 ZN       | 130150 | 6   |
| 3   | Screw                   | Schraube               | 6-k Skruv dg              | Kuusioruuvi            | DIN 931 8.8 M10X70 ZN       | 130170 | 2   |
| 4   | Screw                   | Schraube               | 6-k Skruv hg              | Kuusioruuvi            | DIN 933 8.8 M10X45 ZN       | 130923 | 2   |
| 5   | Socket set screw        | Gewindestifte          | I-6 Stoppskruv            | Pidätinruuvvi          | DIN 913 12.9 M6X8 ZN        | 131287 | 4   |
| 6   | Screw                   | Schraube               | I-6 Skruv                 | 6-koloruuvi            | Din 912 8.8 M5x10 Zn        | 131368 | 2   |
| 7   | Nut                     | Muttern                | Mutter                    | Kuusiomutteri          | DIN 934 M10 ZN              | 131400 | 2   |
| 8   | Nut                     | Muttern                | Låsmutter                 | Lukitusmutteri         | DIN 985-8 M10 ZN            | 131580 | 12  |
| 9   | Washer                  | Scheibe                | Bricka                    | Aluslaatta             | DIN 125A M10/10.5 ZN        | 131770 | 23  |
| 10  | Washer                  | Scheibe                | Bricka                    | Aluslaatta             | DIN 125A M16/17 ZN          | 131810 | 4   |
| 11  | Washer                  | Scheibe                | Karosseribricka           | Korialuslevy           | DIN 9021 M10/10.5X30X2.5 ZN | 131930 | 4   |
| 12  | Spring pin              | Spannhülsen            | Rörsprint                 | Jousisokka             | DIN 1481 10X40 ZN           | 132855 | 2   |
| 13  | Linch pin               | Klappstecker           | Ringsprint                | Rengassokka            | DIN 11023 6 mm              | 133362 | 2   |
| 14  | Plain bearing           | Gleitlager             | Glidlager                 | Liukulaakeri           | Ø 20/23 L=25                | 140048 | 4   |
| 15  | Spring                  | Feder                  | Fjäder                    | Jousi                  | d=2.0, Dm=13, Lo=110        | 307063 | 2   |
| 16  | Chain quick links       | Kettennotgleider       | Lyftkättingsskarv         | Ketjulukko             | 5 mm                        | 458370 | 4   |
| 17  | Pin (Silver galvanized) | Zapfen                 | Tapp                      | Tappi                  |                             | 472459 | 2   |
| 18  | Idler roller            | Spannrolle             | Löprulle                  | Välipyörä              |                             | 472465 | 2   |
| 19  | spacer                  | Distanz                | Distansholk2              | holkki                 |                             | 472466 | 8   |
| 20  | Idler roller            | Spannrolle             | Löprulle2                 | välipyörä              |                             | 472467 | 6   |
| 21  | Roller guide            | Führung                | Styrholk                  | Ohjari                 |                             | 472471 | 2   |
| 22  | Hand crank              | Kurbel                 | Handvev                   | Veivi                  |                             | 472474 | 2   |
| 23  | M16 nut with lock       | M16 Mutter mit Schloss | M16 mutter med stoppskruv | M16 mutteri ja lukitus |                             | 472477 | 4   |
| 24  | Rocker lever            | Kipphebel              | Vipparm                   | Vipuvarsi              | Handbroms scorpio (vänster) | 472478 | 1   |
| 25  | Rocker lever            | Kipphebel              | Vipparm                   | Vipuvarsi              | Handbroms scorpio (höger)   | 472480 | 1   |
| 26  | Wire                    | Kabel                  | Vajer Ø5                  | Vaijeri                | 5mm IWS Syrafast AISI 316   | 472483 | 2   |
| 27  | M16 rod                 | M16 stange             | Handbroms Gångstång       | M16 kierretanko        | Scorpio                     | 472496 | 2   |
| 28  | Schakel                 | Schäkel                | Schakel 10mm              | Schakel                |                             | 528010 | 2   |

E (1:10)



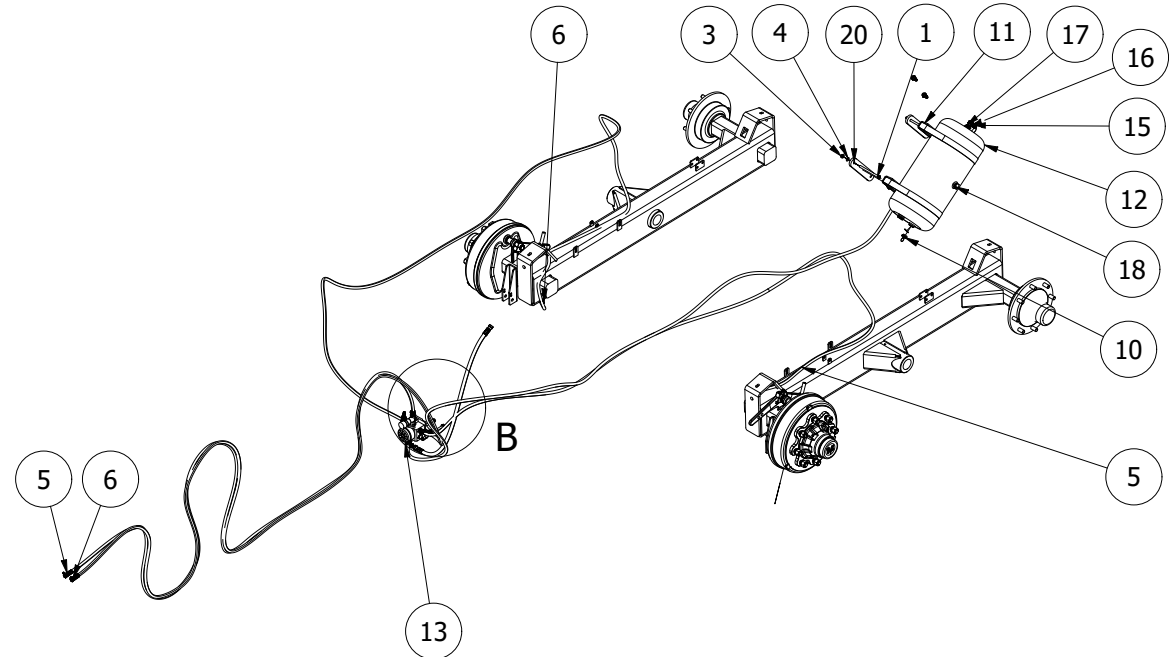
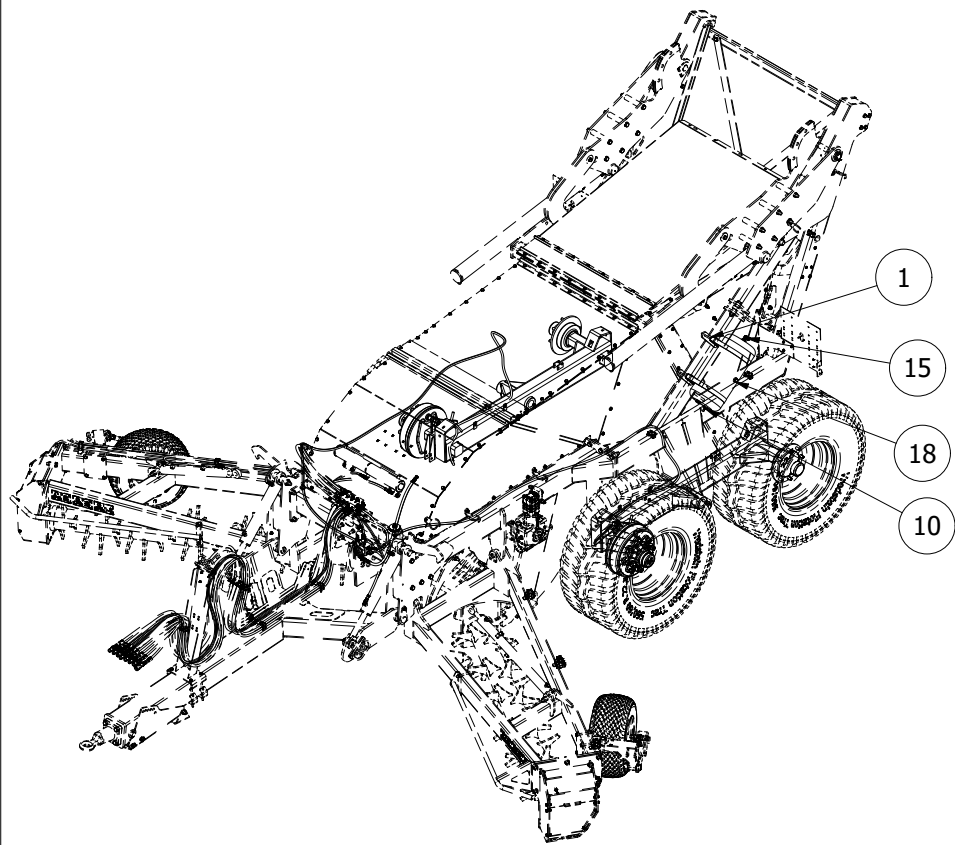
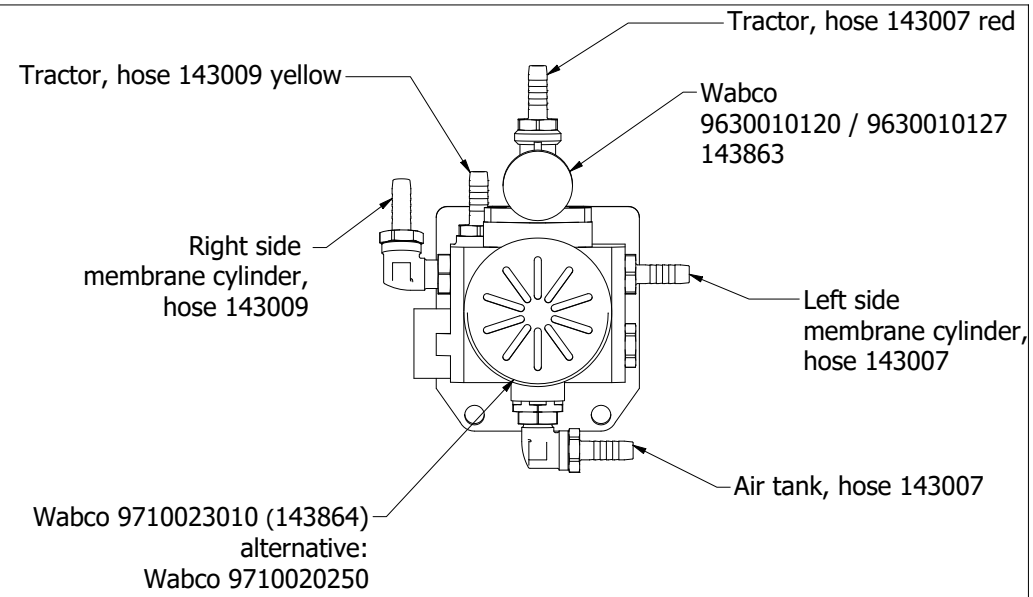
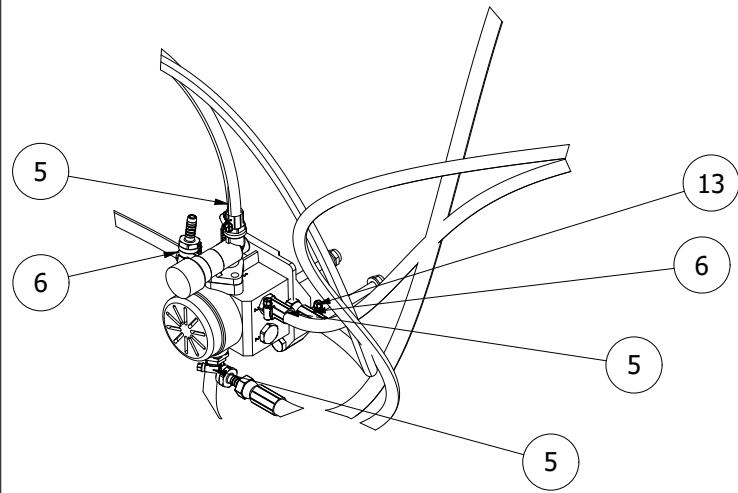
F (1:4)



## 115015

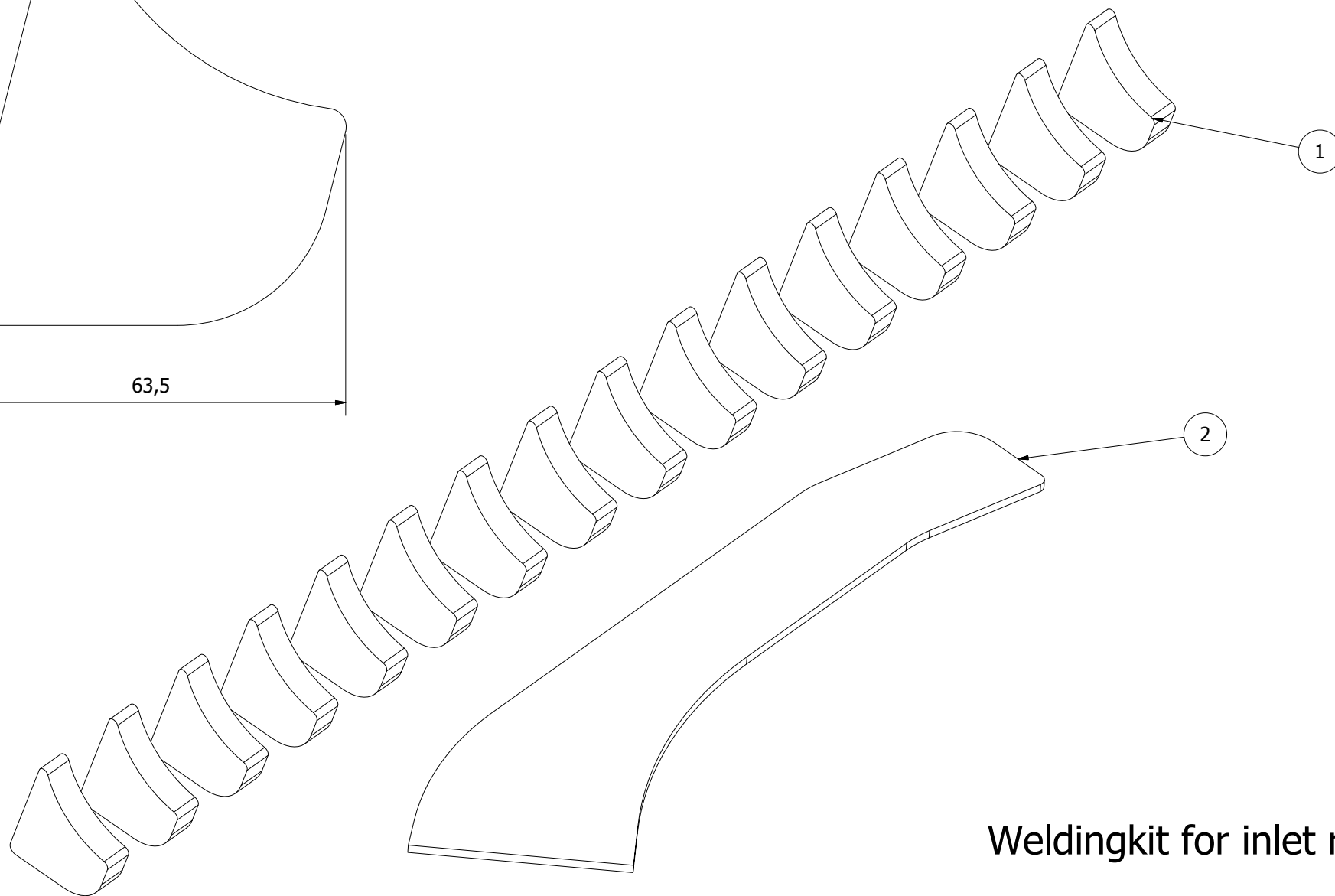
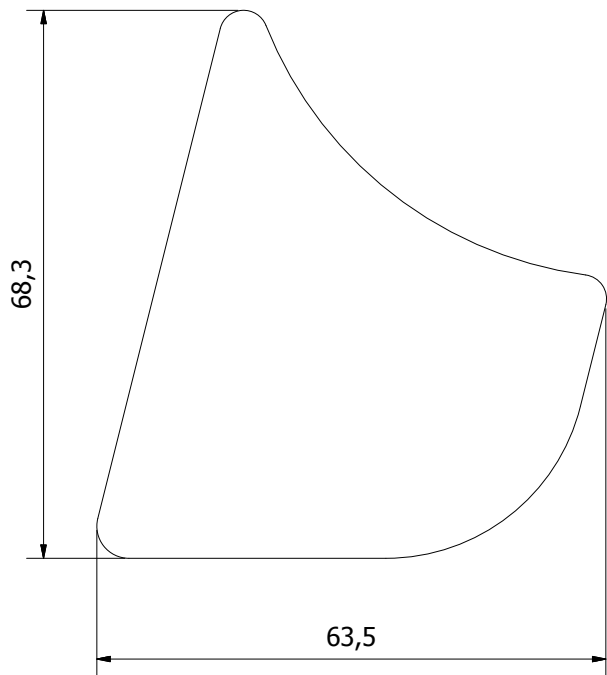
| Pos | Name                    | Nahme                 | Benämning                      | Nimike        | Specification                      | NO     | Pcs |
|-----|-------------------------|-----------------------|--------------------------------|---------------|------------------------------------|--------|-----|
| 1   | Bulkhead                | Doppelnippel          | Dubbelnippa, lång              | Kuristusnippa | 1/4"-1/4" 04000-04EP               | 143109 | 1   |
| 2   | Nut for Bulkhead        | Muttern               | Kontermutter                   | Kontramutteri | 1270-04                            | 143112 | 1   |
| 3   | Revolving-M "T" Adaptor | Drehbarer Adaptor "T" | T-stycke Ytter-Inner-Ytter     | T-nipa        | 04890-04                           | 143245 | 1   |
| 4   | Hydraulic hose          | Hydraulikschlauch     | Hydraulslang                   | Hydrauliletku | 1/4" L=6000 1/4" rak-bromskoppling | 145022 | 1   |
| 5   | Hydraulic hose          | Hydraulikschlauch     | Hydraulslang R1/4 L=5000       | Hydrauliletku |                                    | 145217 | 2   |
| 6   | Bogie                   | Drehgestell           | Boggie med hydrauliska bromsar | Boggi         | förmontering                       | 472846 | 1   |

B ( 1:6 )



## 115011

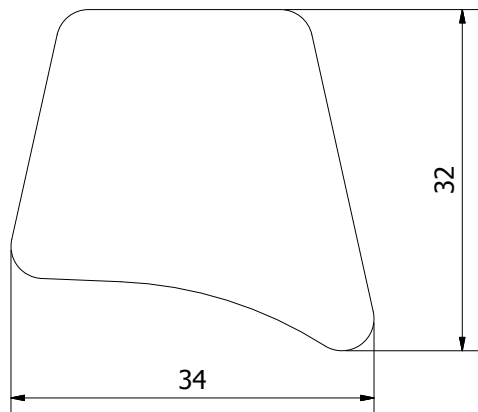
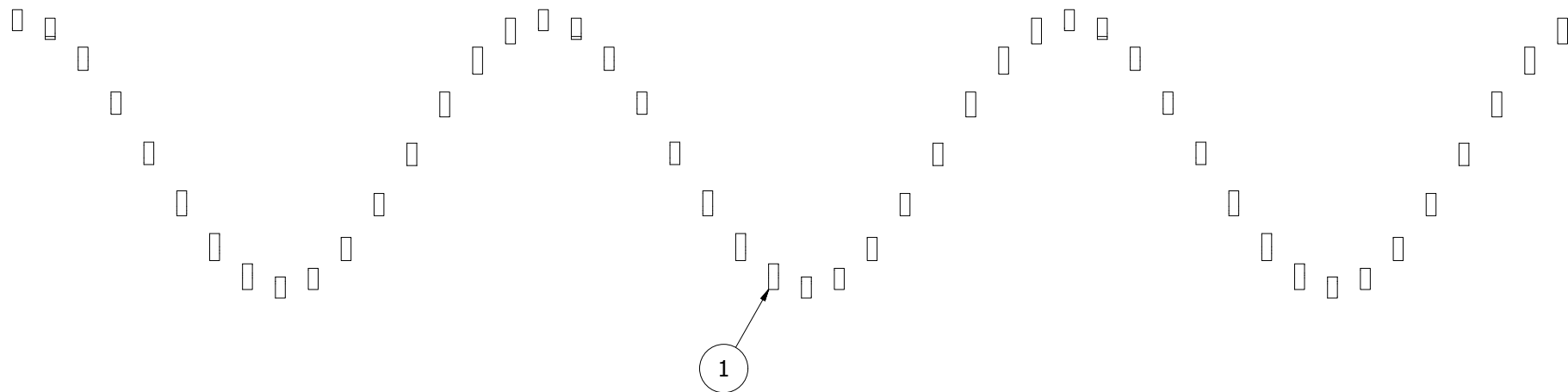
| Pos | Name           | Nahme                  | Benämning                     | Nimike               | Specification               | NO     | Pcs |
|-----|----------------|------------------------|-------------------------------|----------------------|-----------------------------|--------|-----|
| 1   | Screw          | Schraube               | 6-k skruv dg                  | Kuusioruuvi          | DIN 931 8.8 M10x140 ZN      | 130283 | 4   |
| 2   | Screw          | Schraube               | 6-k Skruv dg DIN 931 8.8      | Kuusioruuvi          | M10X160 ZNC                 | 130301 | 2   |
| 3   | Nut            | Muttern                | Låsmutter                     | Lukitusmutteri       | DIN 985-8 M10 ZN            | 131580 | 6   |
| 4   | Washer         | Scheibe                | Bricka                        | Aluslaatta           | DIN 125A M10/10.5 ZN        | 131770 | 10  |
| 5   | Brakehose      | Bremseschlauch         | Bromsslang                    | Jarruletku           | 9,5x19mm L=5200             | 143007 | 3   |
| 6   | Brakehose      | Bremseschlauch         | Bromsslang                    | Jarruletku           | 9,5x19mm L=5700             | 143009 | 2   |
| 7   |                |                        | Coupling head                 |                      | Red                         | 143047 | 1   |
| 8   |                |                        | Coupling head                 |                      | Yellow                      | 143048 | 1   |
| 9   | Drainvalve     | Ablassventil           | Avtappningsventil             | Tyhjennysventtiili   | 50 9343000030               | 143866 | 1   |
| 10  | Bracket        | Befestigung            | Fästkonsol                    | Kiinnike             | Luftbehållare 076.502-00A   | 143867 | 2   |
| 11  | Airtank        | Luftbehälter           | Luftbehållare                 | Ilmasäiliö           | 30L D=276 L=583 016.224-00A | 143868 | 1   |
| 12  | Hose clamp     | Schlauchscellen        | Slangklämmare                 | Letkuside            | 17-19MM 8.8 RST/SINK JLK19  | 143870 | 10  |
| 13  | Hosenipple     | Schlauchnippel         | Slangnippel                   | Letkunippa           | L9,5/M16 6237905            | 143871 | 4   |
| 14  | L-Adapter      | Winkel-Verschraubeneng | L-stycke                      | L-Liitin             | M16-SM16 6237808            | 143873 | 3   |
| 15  | Conturnut      | Nuss                   | Kontramutter                  | Kontramutteri        | M16 O-ring 6237746          | 143874 | 3   |
| 16  | Adpternipple   | Adapternippel          | Övergångsstuts                | Adapterinippa        | M22/M16 6237616             | 143876 | 2   |
| 17  | Plug           | Propfen                | Propp                         | Tulppa               | M22 6237608                 | 143877 | 2   |
| 18  | Bonded gasket  | Dichtung               | Tätning för avtappningsventil | Tiiviste             |                             | 146073 | 1   |
| 19  | Bracket        | Befestigung            | Fästplåt                      | Kiinnityspelti       | Lufttank 30L                | 472447 | 2   |
| 20  | Scorpio 550    | Scorpio 550            | Scorpio 550                   | Scorpio 550          | Homologisering 2022         | 472684 | 1   |
| 21  | Valve assembly | Ventil baugrup         | Bromsventil förmontering      | Venttiili esiasennus |                             | 143079 | 1   |
| 22  | Boggie         | Radachse               | Boggie med pneumatiska broms: | Teli                 | förmontering                | 472845 | 1   |



Weldingkit for inlet rotor tines

472451

| 472451 |                 |                   |                          |                         |               |        |     |
|--------|-----------------|-------------------|--------------------------|-------------------------|---------------|--------|-----|
| Pos    | Name            | Nahme             | Benämning                | Nimike                  | Specifikation | NO     | Pcs |
| 1      | Arm repair part | Arm Reparatur set | Skarv för inmatningstinn | Syöttövarsi korjauspala |               | 472393 | 16  |
| 2      | Template        | Schablone         | Mall                     | Malli                   |               | 175432 | 1   |

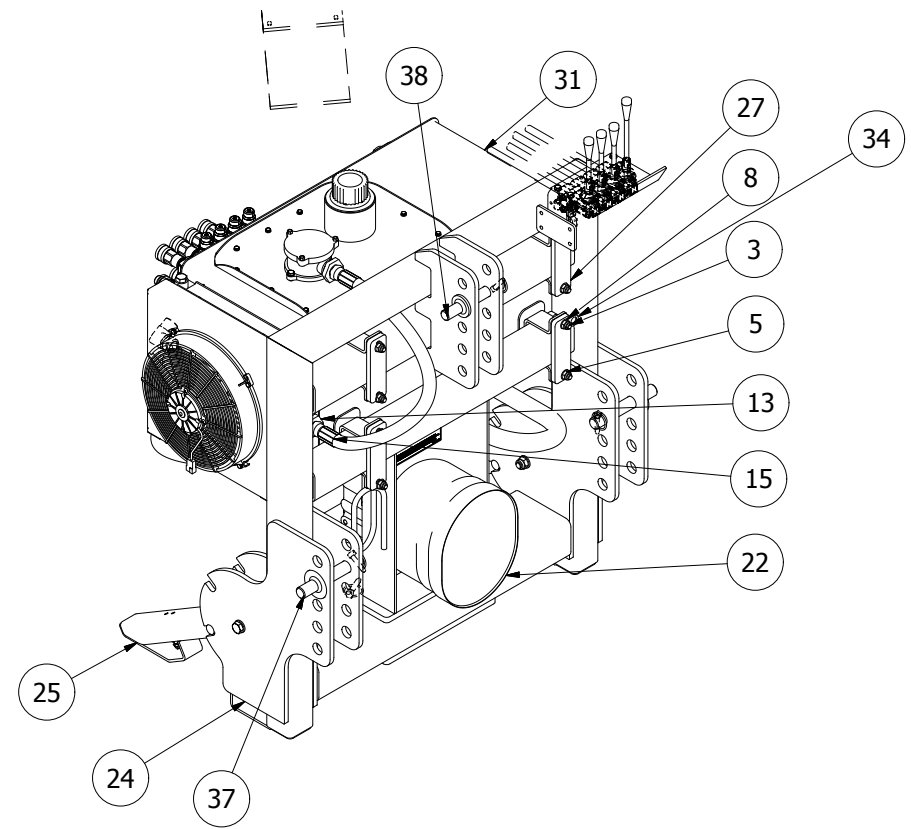
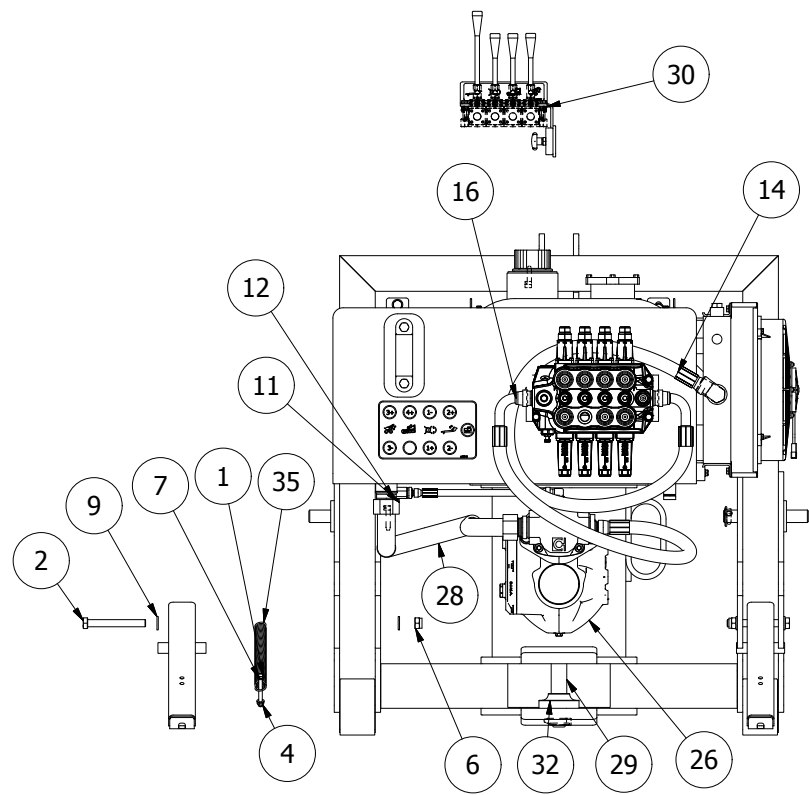


Weldingkit for one rake, 48 tips.

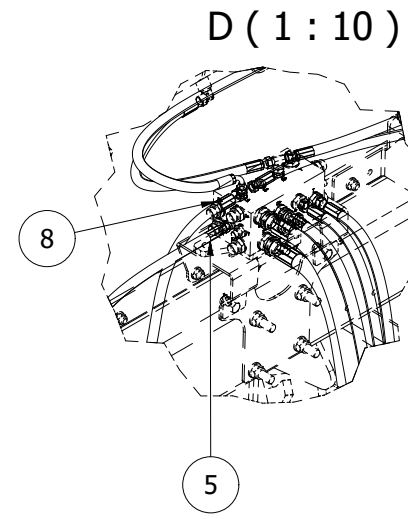
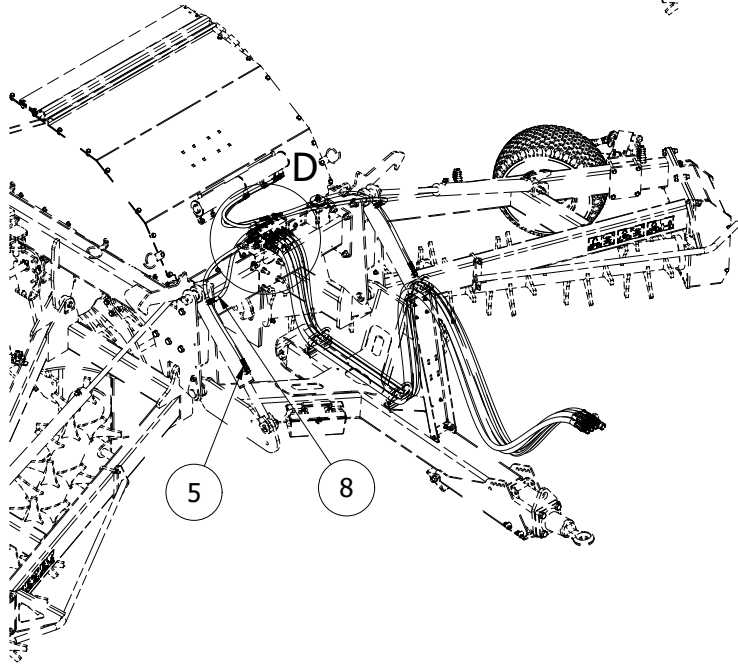
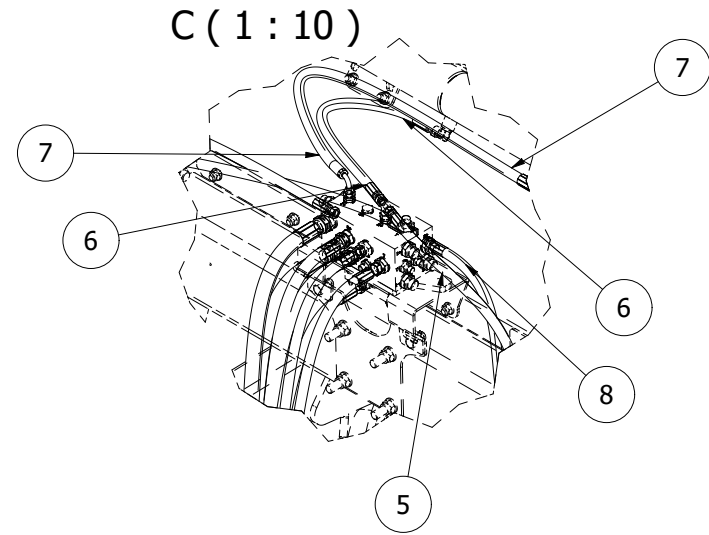
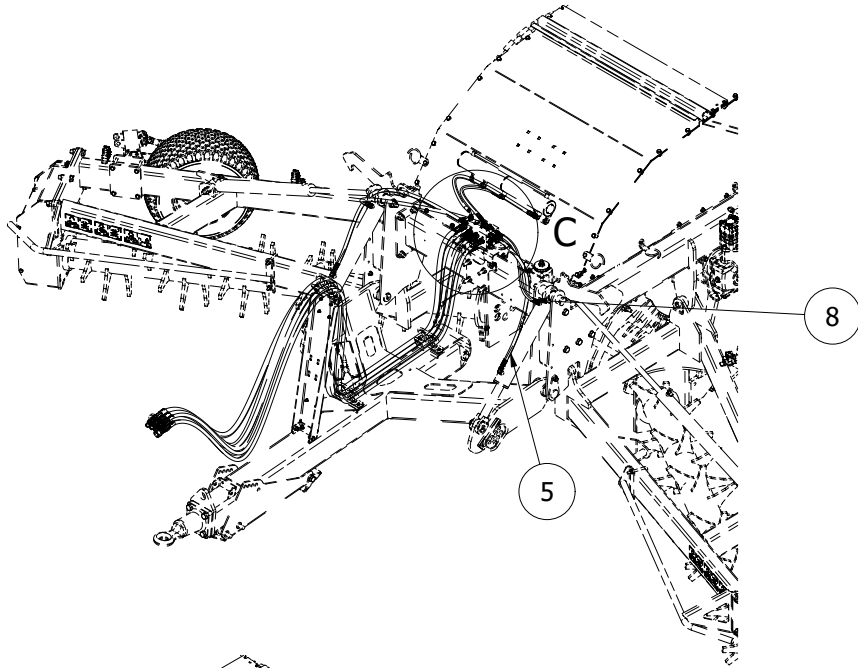
**472580**



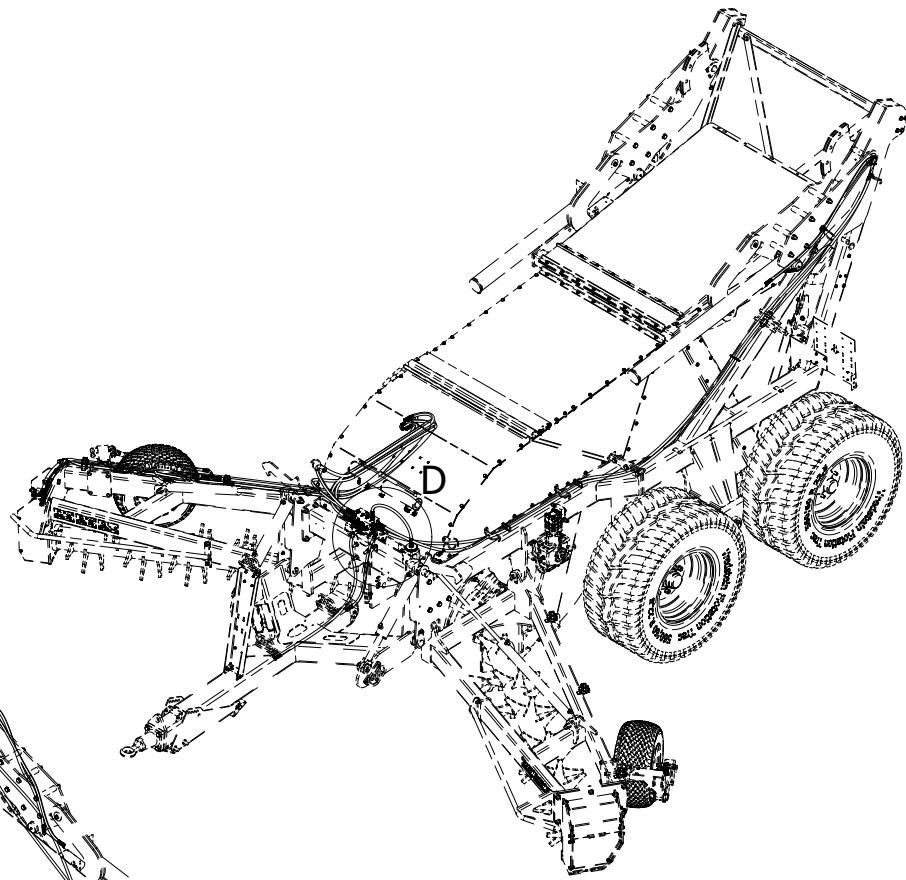
| 472580 |                              |                              |                              |                                |               |        |     |
|--------|------------------------------|------------------------------|------------------------------|--------------------------------|---------------|--------|-----|
| Pos    | Name                         | Nahme                        | Benämning                    | Nimike                         | Specifikation | NO     | Pcs |
| 1      | Repair tooth kit for swather | Reparatur spitze sats für Sc | Reparations spets för sträng | Korjaus kärki sarja , karhotin |               | 472406 | 48  |



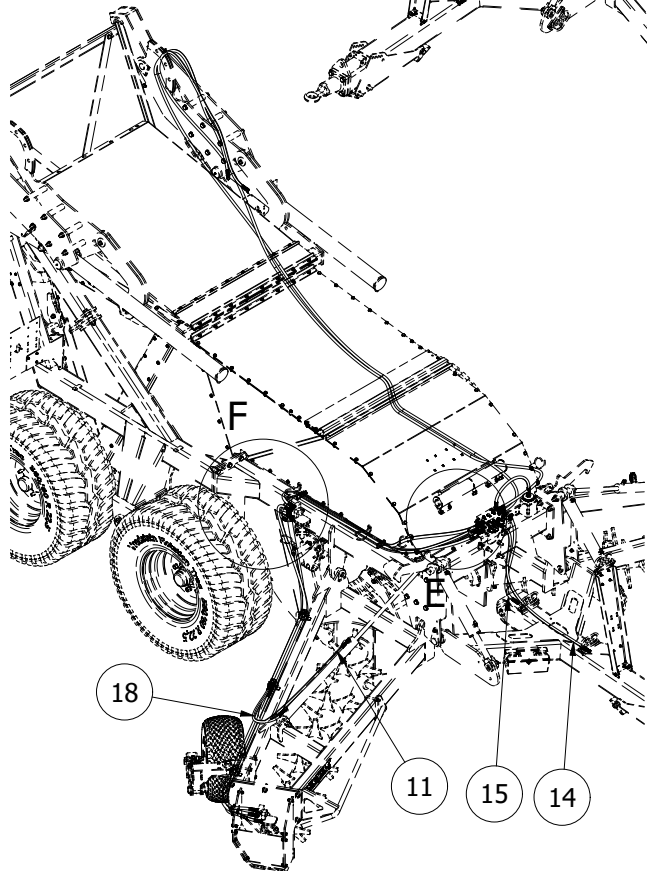
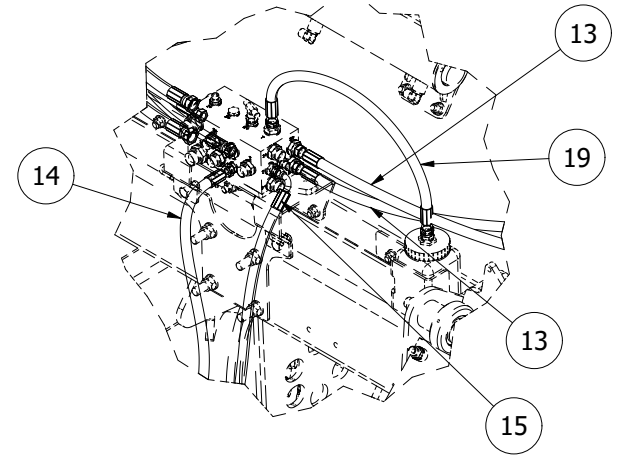
| 115004 |                    |                      |                               |                            |                        |        |     |
|--------|--------------------|----------------------|-------------------------------|----------------------------|------------------------|--------|-----|
| Pos    | Name               | Nahme                | Benämning                     | Nimike                     | Specifikation          | NO     | Pcs |
| 1      | Screw              | Schraube             | 6-k Skruv dg                  | Kuusioruuvi                | DIN 931 8.8 M 8x75 ZN  | 130062 | 2   |
| 2      | Screw              | Schraube             | 6-K Skruv Dg                  | Kuusioruuvi                | DIN 931 8.8 M16x130 Zn | 130580 | 2   |
| 3      | Screw              | Schraube             | 6-K Skruv Hg                  | Kuusioruuvi                | DIN 933 8.8 M12x40 Zn  | 131000 | 8   |
| 4      | Nut                | Muttern              | Låsmutter                     | Lukitusmutteri             | DIN 985-8 M8 Zn        | 131570 | 2   |
| 5      | Nut                | Muttern              | Låsmutter                     | Lukitusmutteri             | DIN 985-8 M12 Zn       | 131600 | 8   |
| 6      | Nut                | Muttern              | Låsmutter                     | Lukitusmutteri             | DIN 985-8 M16 Zn       | 131630 | 2   |
| 7      | Washer             | Scheibe              | Bricka                        | Aluslaatta                 | DIN 125A M8/8.4 Zn     | 131750 | 5   |
| 8      | Washer             | Scheibe              | Bricka                        | Aluslaatta                 | DIN 125A M12/13 Zn     | 131790 | 16  |
| 9      | Washer             | Scheibe              | Bricka                        | Aluslaatta                 | DIN 125A M16/17 Zn     | 131810 | 4   |
| 10     | Linch pin          | Klappstecker         | Ringsprint                    | Rengassokka                | DIN 11023 10 mm        | 133366 | 3   |
| 11     | Hose connection    |                      | Slangnipa                     | Letkuliitäntä              | 1 1/4" - 90 deg        | 143017 | 1   |
| 12     | Double nipple      | Doppelnippel         | Dubbelnipa 1 1/4"-1 1/4"      | Kaksoisnipa                |                        | 143114 | 1   |
| 13     | Double nipple      | Doppelnippel         | Dubbelnipa                    | Supistusnipa               | 3/4" - 1" 04000-12-16  | 143134 | 2   |
| 14     | Hydraulic hose     | Hydraulikschlauch    | Hydraulslang 3/4" l=1400      | Letku                      | 1" rak - 3/4"90°       | 145299 | 1   |
| 15     | Hydraulic hose     | Hydraulikschlauch    | Hydraulslang 3/4" l= 850      | Letku                      | Rak 3/4" - Rak 3/4"    | 145314 | 1   |
| 16     | Hydraulic hose     | Hydraulikschlauch    | Hydraulslang                  | Hydrauliiletku             | 3/4" L=1100            | 145649 | 1   |
| 17     | Bonded gasket      | Dichtung             | Usit-tätning                  | Usit-tiiviste              | 1" USITR-16            | 146007 | 2   |
| 18     | Bonded gasket      | Dichtung             | Usit-tätning                  | Usit-tiiviste              | 1 1/4"                 | 146011 | 1   |
| 19     | Hose clamp         | Schlauchscellen      | Slangklämmare                 | Letkuside                  | ABA 32-44              | 147137 | 4   |
| 20     | Sticker            | Aufkleber            | Dekal aggregat koppl.         | Tarra                      |                        | 149248 | 1   |
| 21     | Sticker            | Aufkleber            | Dekal,                        | Tarra                      | Lyftarm                | 149255 | 1   |
| 22     | Cover              | Schutz               | Skyddskona bondioli 41704     | Suojaus                    |                        | 152000 | 1   |
| 23     | Pto shaft          | Gelenkwelle          | Kraftöverföringsaxel          | Nivelakseli                | 7G3NO71CE007007        | 152074 | 1   |
| 24     | 3-p frame          | 3-p rahmen Baugrupp  | 3-p                           | 3-p runko                  | Scorpio aggregat       | 472607 | 1   |
| 25     | Support jack       | Stützfuss            | Stödben                       | Tukijalka                  | 3-P                    | 472608 | 2   |
| 26     | Hydraulic pump     | Zahnradpumpen        | Hydraulpump delmontering      | Hydrauliikapumppu          |                        | 472624 | 1   |
| 27     | Bracket            | Befestigung          | Fästplåt                      | Kiinnike                   |                        | 472641 | 4   |
| 28     | Hose               |                      | Sugslang                      | Letku                      |                        | 472646 | 1   |
| 29     | Pin                | Achse                | Tapp, svetsad                 | Tappi                      |                        | 472648 | 1   |
| 30     | Tele cables        |                      | Kabelstyrning förmontering    | Kaapelikaukosäädin         |                        | 472667 | 1   |
| 31     | Oiltank            | Ölbehälter           | Tank                          | Säiliö                     | Delmontering           | 472669 | 1   |
| 32     | Spacer             | Distanz              | Distans                       | Holkki                     | aggregat               | 472670 | 1   |
| 33     | Pto rotation speed | Zapfwellendrehzahl   | Rotationshastighet för kraftö | Voimansiirron pyörimisnop. | 540 rpm                | 508653 | 1   |
| 34     | Hose clamp         | Schlauch befestigung | Slangupphängningsbricka       | Letkunpidike               |                        | 510290 | 1   |
| 35     | Spring             | Zugfeder             | Dragfjäder                    | Vetojousi                  | d=3 Dm=22 Lo=203       | 520870 | 2   |
| 36     | Washer             | Scheibe              | Mellanbricka                  | Laatta                     | Ø 54/25,5x6            | 529144 | 1   |
| 37     | Mounting pin       | Gerätebolzen         | Lyftarmstapp                  | Nostovarrentappi           |                        | 563595 | 2   |
| 38     | Top link pin       | Oberlenker bolzen    | Tryckstångstapp               | Työntötangontappi          |                        | 563598 | 1   |



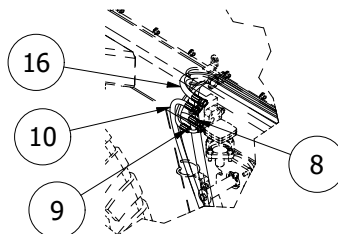
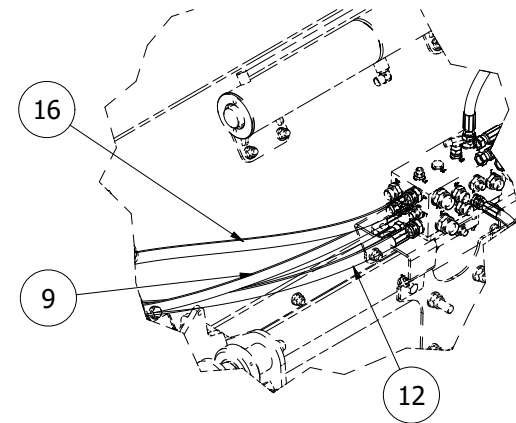
| 472851 |                           |                             |                         |                             |                            |        |     |
|--------|---------------------------|-----------------------------|-------------------------|-----------------------------|----------------------------|--------|-----|
| Pos    | Name                      | Nahme                       |                         | Nimike                      | Specifikation              | NO     | Pcs |
| 1      | Hydraulic hose            | Hydraulikschlauch           | Hydraulslang            | Hydrauliletku               | 3/4 L=5000                 | 145167 | 2   |
| 2      | Hydraulic hose            | Hydraulikschlauch           | Hydraulslang            | Hydrauliletku               | 1/2" L=5000 1/2" Rak       | 145179 | 0   |
| 3      | Hydraulic hose            | Hydraulikschlauch           | Hydraulslang            | Hydrauliletku               | 1/4" L=5000                | 145243 | 0   |
| 4      | Hydraulic hose            | Hydraulikschlauch           | Hydraulslang            | Hydrauliletku               | 1/2 L=5000                 | 145168 | 1   |
| 5      | Hydraulic hose            | Hydraulikschlauch           | Hydraulslang            | Hydrauliletku               | 1/4" L=1150 1/4" - 3/8"    | 145470 | 2   |
| 6      | Hydraulic hose            | Hydraulikschlauch           | Hydraulslang            | Hydrauliletku               | 1/4" L=700                 | 145139 | 1   |
| 7      | Hydraulic hose            | Hydraulikschlauch           | Hydraulslang            | Hydrauliletku               | 1/4" L=750 1/4" 90° - 3/8" | 145468 | 1   |
| 8      |                           |                             | Hydraulslang            |                             | 1/4" L=1000 3/8-1/4"       | 145729 | 2   |
| 9      | Hose labeling             | Schlauch Markierung         | Slangmärkning           | Letku merkintä              | 3 Plus                     | 149903 | 1   |
| 10     | Hose labeling             | Schlauch Markierung         | Slangmärkning           | Letku merkintä              | 3 minus                    | 149913 | 1   |
| 11     | Hose labeling             | Schlauch Markierung         | Slangmärkning           | Letku merkintä              | 1 Plus                     | 149901 | 1   |
| 12     | Hose labeling             | Schlauch Markierung         | Slangmärkning 1 minus   | Letku merkintä              |                            | 149911 | 1   |
| 13     | Hose labeling 4 plus      | Schlauch Markierung 4 plus  | Slangmärkning           | Letku merkintä 4 plus       | 4 Plus                     | 149904 | 1   |
| 14     | Hose labeling             | Schlauch Markierung         | Slangmärkning           | Letku merkintä              | 2 Plus                     | 149902 | 1   |
| 15     | Hose labeling free return | Schlauch Marki. freien Rück | Slangmärkning fri retur | Letkun merkintä vapaa paluu |                            | 149921 | 1   |
| 16     | Protective sleeve         | Schutzhülle                 | Skyddsslang l=4000      | Suoja sukka                 | NPS 125-78                 | 472660 | 1   |
| 17     | Hydraulic hoses           | Hydraulikschlauch           | Slangpaket              | Letkunippu                  | Scorpio 550                | 472853 | 1   |



D ( 1 : 10 )



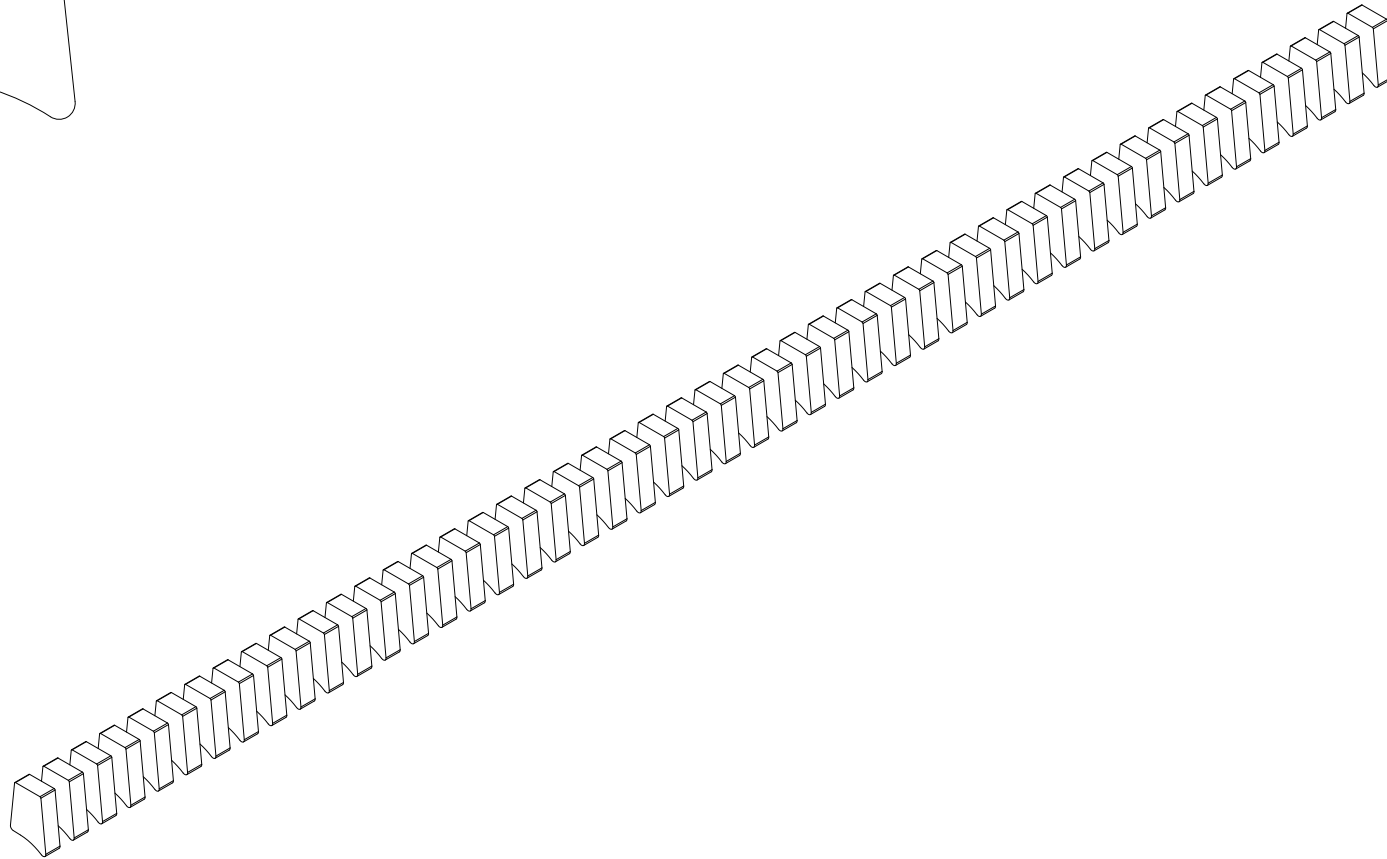
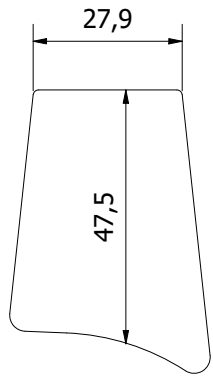
E ( 1 : 10 )



F ( 1 : 20 )

472854

| 472854 |                   |                      |                         |                       |                             |        |     |
|--------|-------------------|----------------------|-------------------------|-----------------------|-----------------------------|--------|-----|
| Pos    | Name              | Nahme                |                         | Nimike                | Specifikation               | NO     | Pcs |
| 1      | Screw             | Schraube             | I-6 Skruv               | 6-koloruuvvi          | DIN 912 8.8 M8x50 Zn        | 131304 | 8   |
| 2      | Nut               | Muttern              | Låsmutter               | Lukitusmutteri        | DIN 985-8 M8 Zn             | 131570 | 8   |
| 3      | Nut               | Muttern              | Låsmutter               | Lukitusmutteri        | DIN 985-8 M12 Zn            | 131600 | 4   |
| 4      | Washer            | Scheibe              | Bricka                  | Aluslaatta            | DIN 125A M8/8.4 Zn          | 131750 | 8   |
| 5      | Washer            | Scheibe              | Bricka                  | Aluslaatta            | DIN 125A M12/13 Zn          | 131790 | 4   |
| 6      | Cup bolts         | Flachrundschrabe     | Låsskruv                | Lukkoruuvvi           | DIN 603 8.8 M12x30 Zn       | 132719 | 4   |
| 7      | "t" adaptor       | T-Verschraubung      | T-stycke 1/4"           | T-nipa                | 04860-04K                   | 143251 | 1   |
| 8      | Hydraulic hose    | Hydraulikschlauch    | Hydraulslang            | Hydrauliletku         | 1/4" L=2250 1/4"-1/4"       | 144181 | 0   |
| 9      | Hydraulic hose    | Hydraulikschlauch    | Hydraulslang            | Hydrauliletku         | 1/4 L=2400 1/4 rak 1/4 90   | 145013 | 2   |
| 10     | Hydraulic hose    | Hydraulikschlauch    | Hydraulslang            | Hydrauliletku         | 1/2 L=3900 1/2 rak 1/2 rak  | 145014 | 0   |
| 11     | Hydraulic hose    | Hydraulikschlauch    | Hydraulslang            | Hydrauliletku         | 1/4 L=5500 3/8 rak 3/8 rak  | 145019 | 2   |
| 12     | Hydraulic hose    | Hydraulikschlauch    | Hydraulslang            | Hydrauliletku         | 1/2 L=5900 1/2 rak 1/2 rak  | 145023 | 0   |
| 13     | Hydraulic hose    | Hydraulikschlauch    | Hydraulslang            | Hydrauliletku         | 3/8 L=7500                  | 145205 | 4   |
| 14     | Hydraulic hose    | Hydraulikschlauch    | Hydraulslang            | Hydrauliletku         | 1/4 L=1800                  | 145374 | 1   |
| 15     | Hydraulic hose    | Hydraulikschlauch    | Hydraulslang            | Hydrauliletku         | 1/4 L=1000 3/8" 1/4" 90 deg | 145377 | 1   |
| 16     | Hydraulic hose    | Hydraulikschlauch    | Hydraulslang            | Hydrauliletku         | 1/2L=2400 1/2 rak-1/2rak    | 145447 | 2   |
| 17     | Hydraulic hose    | Hydraulikschlauch    | Hydraulslang            | Hydrauliletku         | 1/4" L=1550 1/4" - 1/4"     | 145467 | 0   |
| 18     | Hydraulic hose    | Hydraulikschlauch    | Hydraulslang            | Hydrauliletku         | 1/4" L=750 1/4" 90° - 3/8"  | 145468 | 2   |
| 19     | Hydraulic hose    | Hydraulikschlauch    | Hydraulslang            | Hydrauliletku         | 3/8" L=600 3/8" - 3/8"      | 145471 | 1   |
| 20     | Nylon clamps      | Bandschellen         | Buntband                | Nippuside             | TYL 546 MX 13,3xL=546mm.    | 147024 | 20  |
| 21     | Bracket for pipes | Rohrschelle, doppelt | Rörhållare, dubbel      | Kaksoisputkenkiinnike | DS216/16                    | 147185 | 16  |
| 22     | Cover plate       | Befestigung platte   | Täckplatta till 147185  | Peitelevy             |                             | 147190 | 8   |
| 23     | Bracket for pipes | Rohrschelle          | Rörhållare för cylinder | Putkenkiinnike        | STF x2/60-80                | 147233 | 4   |
| 24     | Protective sleeve | Schutzhülle          | Skyddsslang l=1000      | Suojasukka            | NPS 100-62                  | 472661 | 2   |
| 25     | Protective sleeve | Schutzhülle          | Skyddsslang l=2000      | Suojasukka            | NPS 100-62                  | 472662 | 2   |

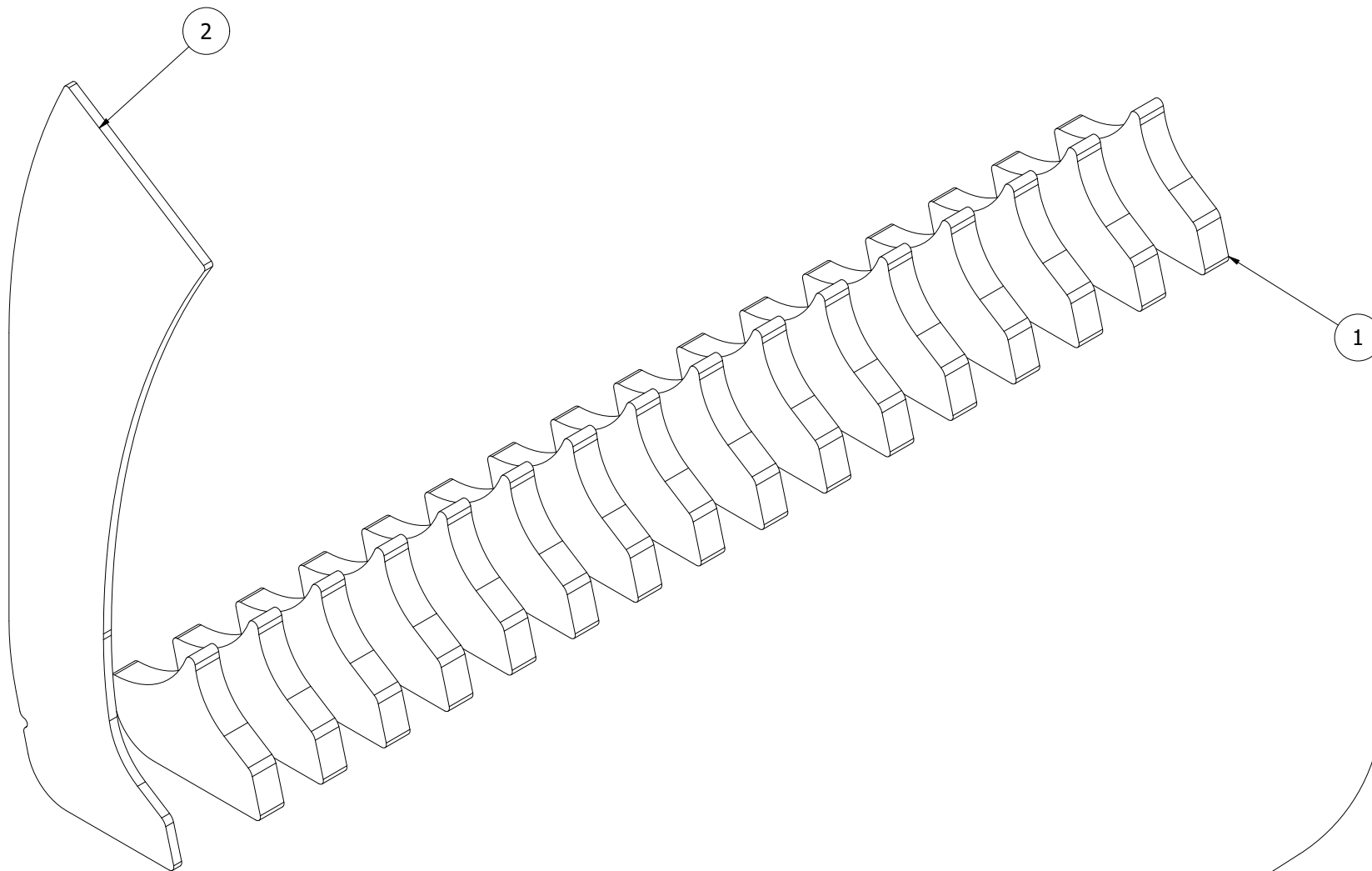


Repair weld kit for one rake (48 pcs)  
Longer model  
15mm thick  
Hardox 500



472796

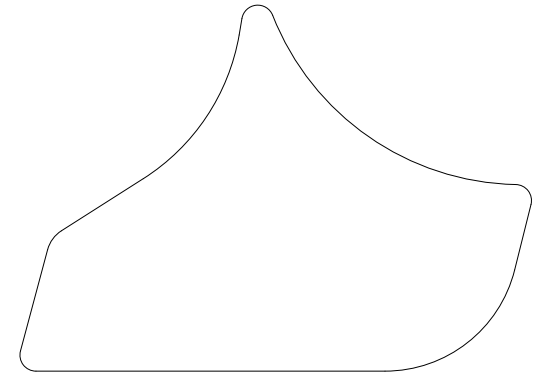
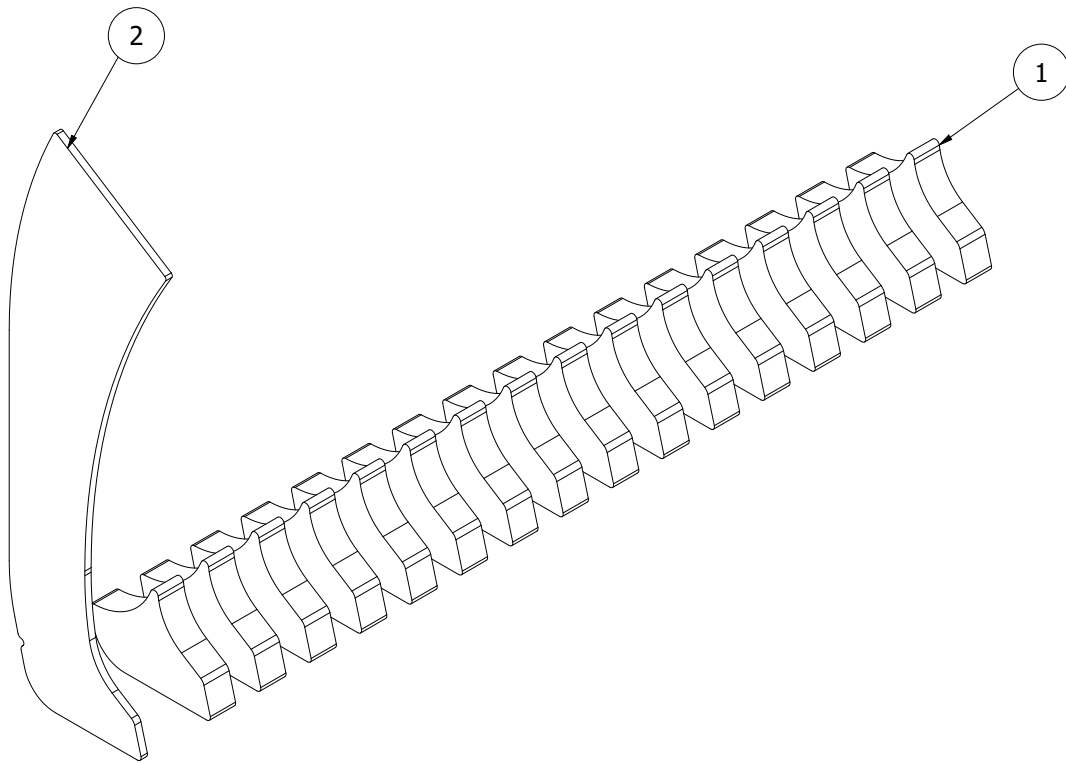
| <b>Pos</b> | <b>Name</b> | <b>Nahme</b> | <b>Benämning</b>       | <b>Nimike</b> | <b>Specification</b> | <b>NO</b> | <b>Pcs</b> |
|------------|-------------|--------------|------------------------|---------------|----------------------|-----------|------------|
| 1          | Tip         | Spitze       | Reparations spets lång | Kärki         | Strängläggare        | 472788    | 48         |



Repair kit for the pickup rotor (16 pcs)  
Wider profile  
15 mm thick  
Hardox 500  
Includes template

472797

| Pos | Name            | Nahme             | Benämning           | Nimike             | Specification  | NO     | Pcs |
|-----|-----------------|-------------------|---------------------|--------------------|----------------|--------|-----|
| 1   | Tip             | Spitze            | Svets spets 14 mm   | Kärki              | Inmatningstinn | 472786 | 16  |
| 2   | Feeder template | Zubringer vorlage | Mall inmatningstinn | Syöttöpiikki malli | bred profil    | 472799 | 1   |



Repair kit for the pickup rotor (16 pcs)

Wider profile

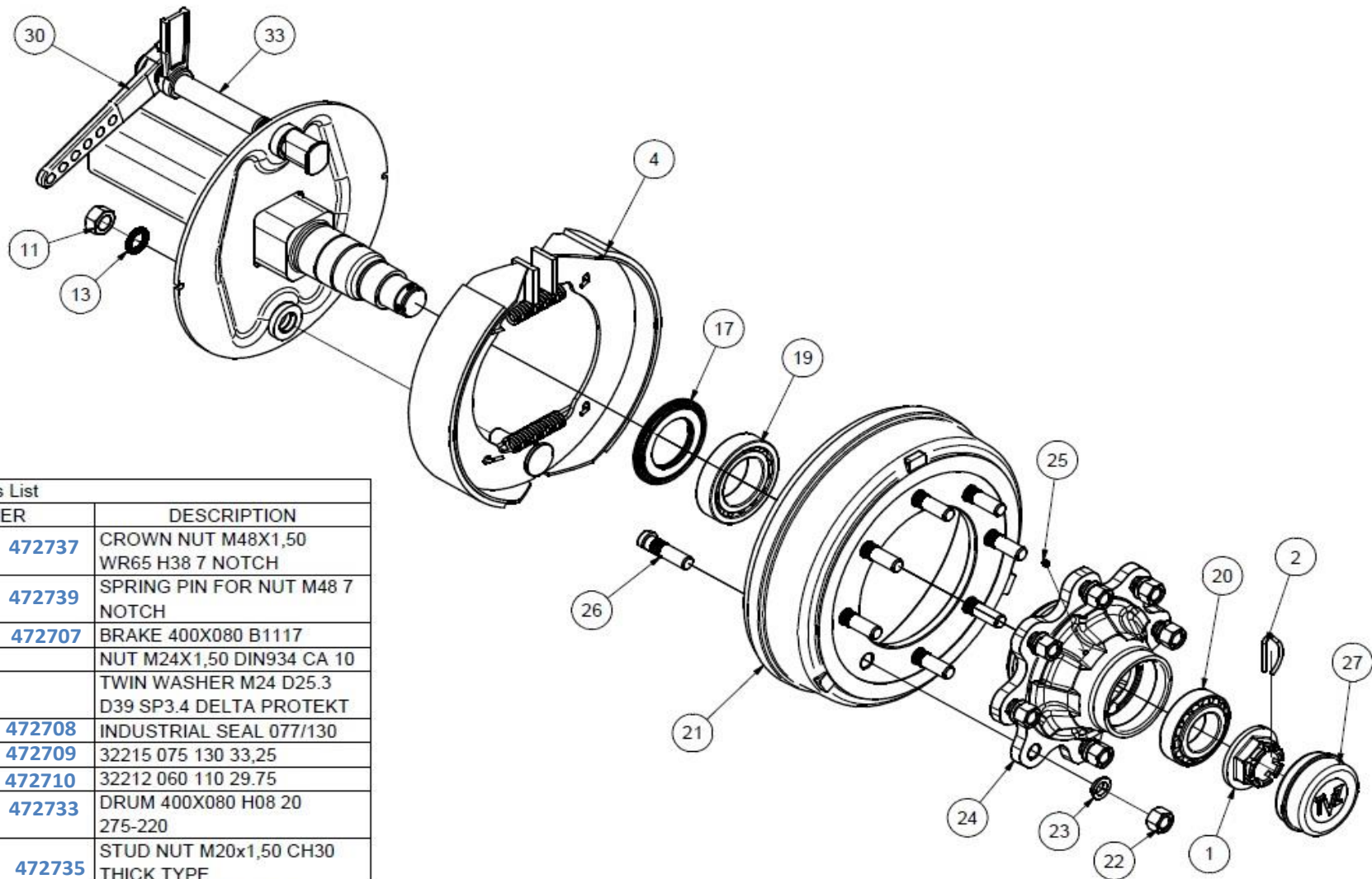
20 mm thick

Hardox 600

Includes template

472798

| Pos | Name            | Nahme             | Benämning           | Nimike             | Specification  | NO     | Pcs |
|-----|-----------------|-------------------|---------------------|--------------------|----------------|--------|-----|
| 1   | Tip             | Spitze            | Svets spets 20 mm   | Kärki              | Inmatningstinn | 472787 | 16  |
| 2   | Feeder template | Zubringer vorlage | Mall inmatningstinn | Syöttöpiikki malli | bred profil    | 472799 | 1   |

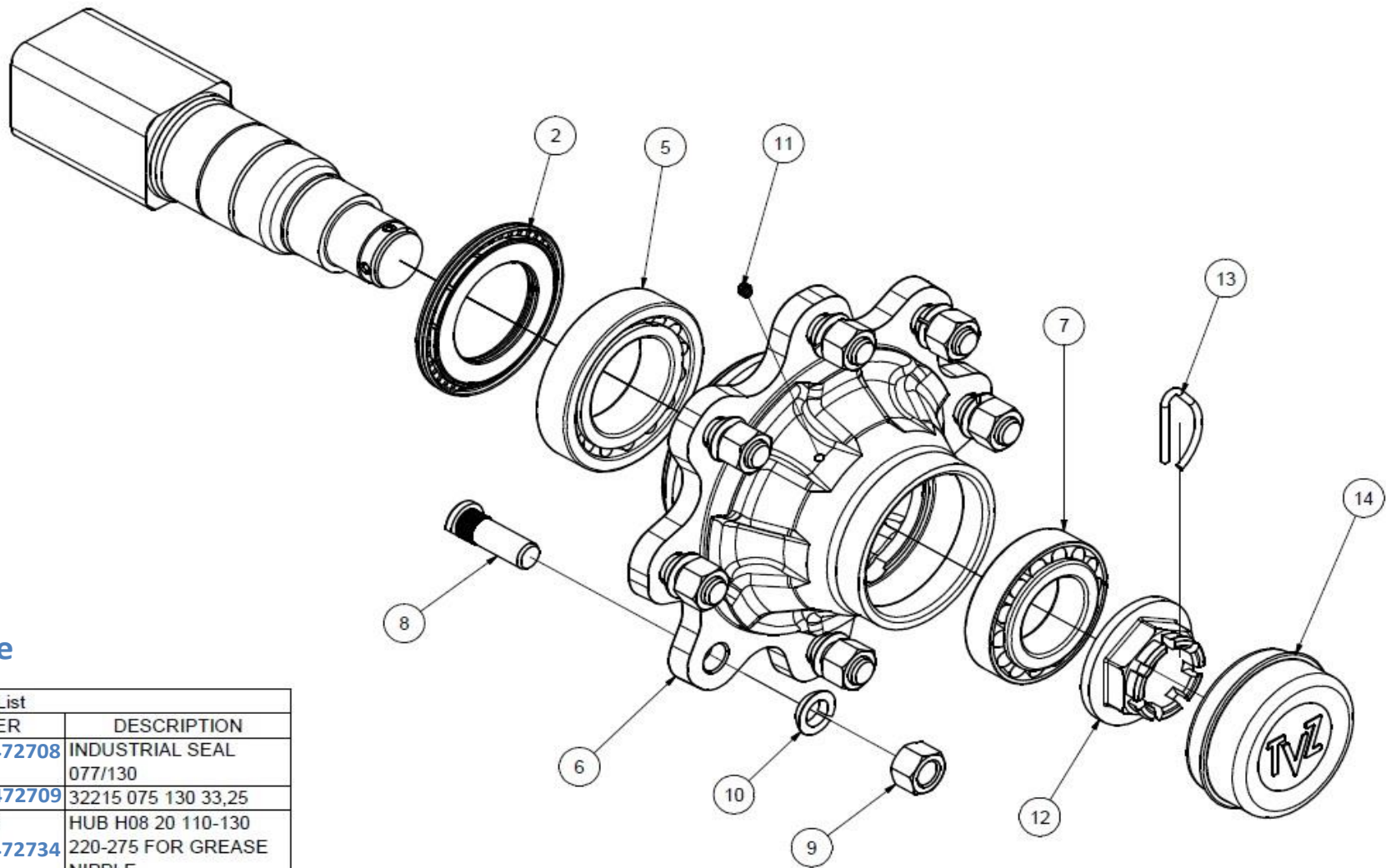


Elho numbers in blue

| Parts List |     |                               |   |
|------------|-----|-------------------------------|---|
| ITEM       | QTY | PART NUMBER                   | DESCRIPTION                                   |
| 1          | 1   | 57548B5 <b>472737</b>         | CROWN NUT M48X1,50 WR65 H38 7 NOTCH           |
| 2          | 1   | 58209 <b>472739</b>           | SPRING PIN FOR NUT M48 7 NOTCH                |
| 4          | 1   | 9FCA400ZO <b>472707</b>       | BRAKE 400X080 B1117                           |
| 11         | 1   | 97124B1                       | NUT M24X1,50 DIN934 CA 10                     |
| 13         | 1   | 9800241                       | TWIN WASHER M24 D25.3 D39 SP3.4 DELTA PROTEKT |
| 17         | 1   | 5441301 <b>472708</b>         | INDUSTRIAL SEAL 077/130                       |
| 19         | 1   | 59132215 <b>472709</b>        | 32215 075 130 33,25                           |
| 20         | 1   | 59132212 <b>472710</b>        | 32212 060 110 29.75                           |
| 21         | 1   | 66LTG0801 <b>472733</b>       | DRUM 400X080 H08 20 275-220                   |
| 22         | 8   | 57320B1 <b>472735</b>         | STUD NUT M20x1,50 CH30 THICK TYPE             |
| 23         | 8   | 574201 <b>472736</b>          | LIMES WASHER ø20.5                            |
| 24         | 1   | 61L081101302601 <b>472734</b> | HUB H08 20 110-130 220-275 FOR GREASE NIPPLE  |
| 25         | 1   | 9860611                       | GREASE NIPPLE STRAIGHT M06x1.00               |
| 26         | 8   | 57120B12 <b>472740</b>        | STUD M20X1,50 L083 HUB AND DRUM BRAKE         |
| 27         | 1   | 56111009 <b>472711</b>        | CAP ø110 TVZ                                  |
| 30         | 1   | 7619401 <b>152008</b>         | LV. 32 FIXED 225-200-175-150-125-100          |
| 33         | 1   | 753032D2008 <b>472742</b>     | CAM SHAFT D32 B0275 FLAT 38 TEETH MODULE 0.75 |

|                             |                     |                                      |              |           |         |
|-----------------------------|---------------------|--------------------------------------|--------------|-----------|---------|
| COAT                        |                     | REF. (A3)                            |              | SCALE 1:6 |         |
| LENGTH WITHOUT TOLLERANCE   | MATERIAL - HARDNESS |                                      |              | DATE:     | NAME:   |
| DIAMETER WITHOUT TOLLERANCE | DRAWN               | APPROVED                             | REPLACE      | DATE:     | NAME:   |
| RADIUS WITHOUT DIMENSIONS   | DATE 05/09/17       | 05/09/17                             | REPLACED BY: | DATE:     | NAME:   |
| OWNER V                     | NAME MAGALINI A.    | MERITI R.                            |              |           |         |
| Ra (µm)                     |                     | SEMIASSE Q090X450 RD08 220-275 S020  |              |           |         |
| WEIGHT (KG)                 |                     | FR.400X80 LV225 LIM TAPPO TVZ        |              |           |         |
| TVZ                         |                     | STUB AXLE S090X450 RD08 220-275 S020 |              |           |         |
|                             |                     | BR.400X80 LV225 LIM TVZ CAP          |              |           |         |
| DWG. N°                     |                     | S0900867140G012_SPARE                |              | SHEET 1/1 | R.No. 3 |

La ditta si riserva la proprietà di questo disegno. NON DIVULGARE. Confidential copyright reserved. NO COPYING OR EXHIBITING.



Elho numbers in blue

| Parts List |     |                               |  |
|------------|-----|-------------------------------|--|
| ITEM       | QTY | PART NUMBER                   | DESCRIPTION                                  |
| 2          | 1   | 5441301 <b>472708</b>         | INDUSTRIAL SEAL 077/130                      |
| 5          | 1   | 59132215 <b>472709</b>        | 32215 075 130 33,25                          |
| 6          | 1   | 61L08110130260I <b>472734</b> | HUB H08 20 110-130 220-275 FOR GREASE NIPPLE |
| 7          | 1   | 59132212 <b>472710</b>        | 32212 060 110 29.75                          |
| 8          | 8   | 57120B1 <b>472738</b>         | STUD M20x1,50 L065                           |
| 9          | 8   | 57320B1 <b>472735</b>         | STUD NUT M20x1,50 CH30 THICK TYPE            |
| 10         | 8   | 574201 <b>472736</b>          | LIMES WASHER ø20.5                           |
| 11         | 1   | 9860611                       | GREASE NIPPLE STRAIGHT M06x1.00              |
| 12         | 1   | 57548B5 <b>472737</b>         | CROWN NUT M48X1,50 WR65 H38 7 NOTCH          |
| 13         | 1   | 58209 <b>472739</b>           | SPRING PIN FOR NUT M48 7 NOTCH               |
| 14         | 1   | 56111009 <b>472711</b>        | CAP ø110 TVZ                                 |

|                             |                  |                     |                             |           |           |
|-----------------------------|------------------|---------------------|-----------------------------|-----------|-----------|
| FINAL COAT                  |                  | MATERIAL - HARDNESS |                             | REF. (A3) | SCALE 1:3 |
| LENGTH WITHOUT TOLLERANCE   | DRAWN            | APPROVED            | REPLACE                     | DATE      | NAME      |
| DIAMETER WITHOUT TOLLERANCE | DATE 28/06/10    | 28/06/10            |                             |           |           |
| RADIUS WITHOUT DIMENSIONS   | NAME MAGALINI A. | VENERI G.           | REPLACED BY                 | DATE      | NAME      |
| OWNER V                     | RA (µm)          | WEIGHT (kg)         | SCHEDA RICAMBI 08671000002  |           |           |
| TVZ                         |                  |                     | INGRASSATORE - S020         |           |           |
|                             |                  |                     | SPARE PART LIST 08671000002 |           |           |
|                             |                  |                     | GREASE NIPPLE - S020        |           |           |
| DWG. N.* 08671000002        |                  |                     |                             | SHEET 1/1 | R.No. 0   |

La ditta si riserva la proprietà di questo disegno. NON DIVULGARE. Confidential copyright reserved. NO COPYING OR EXHIBITING.