

USER MANUAL



ROCKPICKERS

SCORPIO 550 10.5-10.6



Rev.
Document ID: 954115
Revision date: -
Language: EN

CONTENTS

LIMITED WARRANTY	5
MACHINE SERIAL NUMBER	7
1 SAFETY	8
1.1 INTENDED USE	8
1.2 TRACTOR AND MACHINE NOISE	8
1.3 MANUAL HANDLING - COMPONENTS	8
1.4 WARNING SIGNS	8
1.5 SAFE OPERATION	9
1.6 SAFETY LABELS ON THE MACHINE	10
1.7 REPLACEMENT OF SAFETY LABELS	11
1.8 LOCATION OF THE SAFETY LABELS	12
2 TECHNICAL DATA	13
2.1 PAINT	13
2.2 DIMENSIONS	14
2.3 TRANSPORT DIMENSIONS	15
3 SETTING UP THE MACHINE	17
3.1 THE ENVIRONMENTAL ASPECTS ON SETTING UP THE MACHINE	17
3.2 TRANSPORT PACKAGE	17
3.3 PREPARATIONS	17
3.3.1 Adjusting the correct rotation speed for windrower	18
3.3.2 How to bleed the hydraulic system	18
4 USE OF THE MACHINE	19
4.1 SAFETY DEVICES	19
4.1.1 Telescopic drawbar	19
4.1.2 Hydraulic transmission	19
4.2 HOW TO CONNECT THE STONE PICKER TO THE TRACTOR	21
4.3 HOW TO DISCONNECT THE STONE PICKER FROM THE TRACTOR	23
4.4 HOW TO CONNECT THE STONE PICKER TO A FIXED HEIGHT HITCH	24
4.5 HOW TO DISCONNECT THE STONE PICKER FROM A FIXED HEIGHT HITCH	26
4.6 WORK POSITION	28
4.7 TRANSPORT POSITION	29
4.7.1 How to lift the stone picker into transport position	29
4.7.2 How to transport the stone picker	29
4.8 STORAGE AFTER SEASON	29
4.9 FIELD OPERATION	30
4.9.1 When to collect stones	30
4.9.2 Adjustment of working depth	30
4.9.3 Other driving instructions	31
4.9.4 How to empty the stone tank	32
4.10 HOW TO USE THE EXTERNAL HYDRAULIC UNIT	32
4.10.1 Connecting the external hydraulic unit to the tractor	33
4.11 WORKING WITH THE HYDRAULIC UNIT	33
4.11.1 Cooler	33
4.12 BRAKES	34
4.12.1 Check and adjust the brakes	34
4.13 PREVENT UNAUTHORIZED USE	35
5 MAINTENANCE	36

5.1	MAINTENANCE POSITION	37
5.1.1	Jack point	38
5.2	HYDRAULIC HOSES	38
5.3	GEARBOXES OIL	39
5.4	HOW TO CLEAN THE WINDROWER DRIVELINE CASING	40
5.5	INLET ROTOR	40
5.5.1	Rotor tines repair welding	40
5.5.2	How to replace the rotor tines	41
5.5.3	How to replace the limiter chains	42
5.6	WINDROWER	42
5.6.1	Tines repair welding	42
5.6.2	Tyre air pressure	43
5.7	HYDRAULIC UNIT	43
5.8	LUBRICATION	44
6	TROUBLESHOOTING	45
7	FINAL DISASSEMBLY OF THE MACHINE	46

EC DECLARATION OF CONFORMITY

Manufacturer:
Oy Elho AB
Industrivägen 6
68910 Bennäs
Finland

Technical file:
Johan Löfbacka
Product Development Manager, CTO
Industrivägen 6
68910 Bennäs Finland

We declare this it is our sole responsibility that the following product

Equipment: Rockpicker
Model/type: Scorpio 550



Is in conformity with the Machine Directive 2006/42/EC

and the following harmonized standards and technical specifications have been applied:

EN ISO 4254-5

Bennäs 14.12.2023



Michael Johansson, CEO

LIMITED WARRANTY

This Limited Warranty is a product warranty given by Oy El-Ho Ab (“ELHO”) warranting the quality of its manufactured products to the original retail owner (“the Distributor”). ELHO’s liability for defects in the manufactured products is limited as stated in the conditions below.

1. Warranty extent and period

ELHO warrants to the Distributor that new machinery and equipment manufactured by ELHO will be free from defects in material and workmanship under normal use for a period of twelve (12) months after the date of sale to the original owner (“the Customer”) and under the condition that the Distributor has registered the warranty at ELHO by returning the Warranty Registration Form within 14 days from the date of sale to the Customer (“the Limited Warranty”).

A repair under this Limited Warranty does not extend the warranty period.

The Limited Warranty ceases however forty-eight (48) months after the date of purchase by the Distributor.

2. Warranty claim

Any claim under the Limited Warranty shall be reported by returning a complete Warranty Application to ELHO within 14 days from the date when the Customer made the Distributor aware of the defect; or else the warranty claim will not be accepted. A complete Warranty Application shall in any case be sent to ELHO within 30 days from the date when the damage was discovered or should reasonably have been discovered; or else the warranty claim will not be accepted. The Distributor shall prove that the Warranty Application was sent within the time limits stated above.

3. Repair or replacement procedure

Under the conditions that the warranty has been correctly registered according to clause 1 and the warranty claim has been made in compliance with clause 2, ELHO assumes responsibility under the Limited Warranty to, at ELHO’s option, repair or replace all parts that in ELHO’s opinion are defected in material or workmanship. This responsibility can be satisfied by shipping the parts needed for repair or replacement to the Distributor. ELHO assumes responsibility for the costs of spare parts needed for repair or replacement and for the freight of these parts to the Distributor.

The Distributor shall maintain the defective parts for six (6) months after their replacement. On ELHO’s initiative and at its expense, the defective parts shall be shipped to ELHO for analysis.

4. Limitations on warranty coverage

4.1 Components not manufactured by ELHO

Components not manufactured by ELHO, but incorporated in machinery and equipment manufactured by ELHO, e.g. hydraulic components, power transmission shafts, gearboxes, tires etc., are covered by the warranty granted by the original manufacturer of the components.

4.2 No warrant for fitness or performance

ELHO does not warrant the fitness of the machinery or equipment for a particular purpose or the performance of the machinery or equipment.

4.3 Damage caused by the owner

The Limited Warranty does not cover damage or loss that in ELHO’s opinion is resulting from normal wear and tear or damage or loss resulting from misuse, overload, accident, neglect or improper installation, operation or maintenance, alteration of the machinery or equipment without ELHO’s written

consent or usage of non-original parts. Agricultural machinery is subjected to wear and tear and needs regular maintenance.

4.4 Deteriorating parts

The Limited Warranty does not cover damage on protective canvases, blades, flails, conditioner fingers and shafts, discs, gear shaft for discs, skids, friction clutches, tines, tires, sharpening equipment, mulcher chains, v-belts, roller chains, chain tightener parts, scrapers, rubber dampers, filters or damages to paint due to normal ware and tare.

4.5 Transportation

The Limited Warranty does not cover damage or loss resulting from transportation from or to ELHO or between the Distributor and the Customer.

4.6 Vandalism etc.

The Limited Warranty does not cover damage or loss resulting from vandalism, theft, or other comparable damage.

4.7 Product improvement

ELHO has a policy of continuous product improvement. ELHO reserves the right to develop, improve and alter the design of any ELHO product without assuming any obligation to modify any ELHO product previously manufactured.

4.8 Consequential damages

ELHO will not be liable for lost profits, loss of business, inconvenience, additional operating expenses, damage to harvest, damage or injury to properties or persons, or other loss or damage relating in any way to the machinery, equipment, products or services, whether direct or consequential, special, indirect or punitive, even if advised of the possibility of such losses or damages, or for any claim by any third party. The foregoing limitations apply regardless of the causes or circumstances giving rise to such loss, damage or liability, even if such loss, or damage or liability is based on negligence or other torts or breach of contract including, without limitation, fundamental breach or breach of a fundamental term.

5. No assignment

The rights of the Distributor under this Limited Warranty are not to be assigned to any third party.

6. Entire warranty

The foregoing Limited Warranty constitutes the entire warranty given by ELHO. There are no other warranties or conditions, express or implied, in respect of the machinery, equipment, spare parts or services contemplated by these terms, including without limitation, no warranties or conditions of merchantability or fitness for a particular purpose.

7. Indemnity

The Distributor shall indemnify ELHO against all warranty claims or other claims regarding any cost, loss, or liability from the Customer or any third party. The Distributor shall handle all warranty claims concerning ELHO products within its territory of business.

8. Governing law

This Limited Warranty is governed by Finnish law.

9. Disputes

Any dispute, controversy or claim arising out of or in connection with this Limited Warranty, or the breach, termination, or invalidity thereof, shall be finally settled by arbitration in accordance with the Arbitration Rules of the Finland Chamber of Commerce. The number of arbitrators shall be three (3). The place of arbitration shall be Helsinki, Finland and the language of the arbitration shall be English.

MACHINE SERIAL NUMBER

The serial number can be found on the machine which is situated on the plate on the frame of the machine.

When ordering spare parts, you must give the model and serial number, also if you are going to make a warranty claim.



Write down the information from your machine in the fields below.

This makes ordering the spare part easier for you in the future.

Type

Series Manufacture year

No.

1 SAFETY

1.1 Intended use

The ELHO rock picker is designed to be used on well harrowed dry soil to pick up stones from the surface of a field. It is not permitted to use the machine for other purposes.

1.2 Tractor and machine noise

According to the EC Directive 86-1888-EEC and UK Noise at Work Regulations 1989 places responsibility on employers and employees to assess and control noise in the workplace. If you operate the machine at full speed in an enclosed space, bystander noise level of the machine can exceed 87 dB (A). We therefore recommend that you do not run the machine at full speed in an enclosed space. We highly recommend the use of hearing protection if you must approach the machine when it is in operation. The noise level during normal field operation changes depending on the noise of the tractor and how the tractor operates. In some instances, the tractor, while operating under load and normal rotation speed, will produce the highest noise level. The approximate amount of noise in the driving position generated by the machine with tractor cab windows open can range from 80-96 dB (A). The noise level from the machine usually decreases when moving. We recommend that you keep the windows of the tractor cab closed when you are operating the machine. If the window is required to be open for ventilation purposes, then use the side window furthest from the machine. The comments on noise levels are only for guidance and each combination of tractor and the machine must be individually assessed.

1.3 Manual handling - Components

According to the EC directives 89/391/EEC and 90/269/EEC and UK Manual Handling Operations Regulations 1992, places responsibilities on employers and employees to observe safe working practices when you manually handle heavy weights. When assembling the machine, move the parts with a mechanical lifting device. When you repair the machine, use a mechanical lifting device. Depending on working conditions, some components can require two persons to handle them.

1.4 Warning signs

This manual contains clearly marked warnings which are intended for your personal safety and contain important advice for use of the machine.



Warning! Indicates the presence of a hazard which could result in personal injury.

NOTICE!

Notice! is used to address practices not related to personal injury.

1.5 Safe operation

Before you operate or assemble the machine, you must carefully read this manual and the safety labels on the machine.

- Keep all guards and protection devices in good condition and correctly assembled.
- Before you do the maintenances and adjustments, stop the tractor engine, engage the parking brake, and remove the start key from the tractor.
- If the tractor hydraulic controls support the machine, do not work under the machine.
- Before you leave the tractor cab, stop the machine, and engage the parking brake of the tractor.
- Use only the original ELHO spare parts. Do not change the construction of the machine.
- Obey the local legislation for road transport. Use the rear lights when driving in the dark.
- Before disconnecting the machine from the tractor, release the hydraulic pressure. Otherwise, there is a risk of sudden uncontrolled movement of the machine frame when the machine is disconnected.

1.6 Safety labels on the machine

On the machine there are safety labels to make you aware of certain hazards.

1.  Stop the engine and remove the ignition key before removing any covers or doing any sort of maintenance, read these instructions.
2.  Do not go into the danger zone. There is a risk of being hit by flying objects, such as rocks.
3.  Do not empty the rock hopper on soft ground or downhill.
4.  Keep distance from powerlines, especially when you empty the rock hopper.
5.  Before you go into the danger zone, make sure that the lifting cylinders are secured
6.  Before you touch the machine components, make sure that the tractor engine is stopped. The rotating parts of the machine continue to rotate even after the tractor engine is stopped.

7.



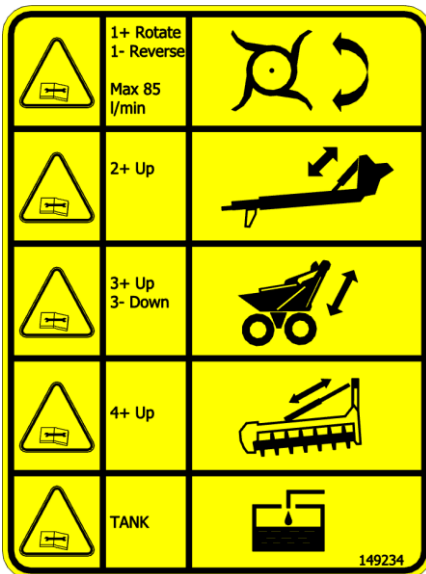
Do not reach over the rotating parts of the machine

8.



Clogged machine may still have live power. It can start unexpectedly when unclogged. To avoid injury:
Shut the tractor engine off and disengage all power before unclogging.

9.



10.

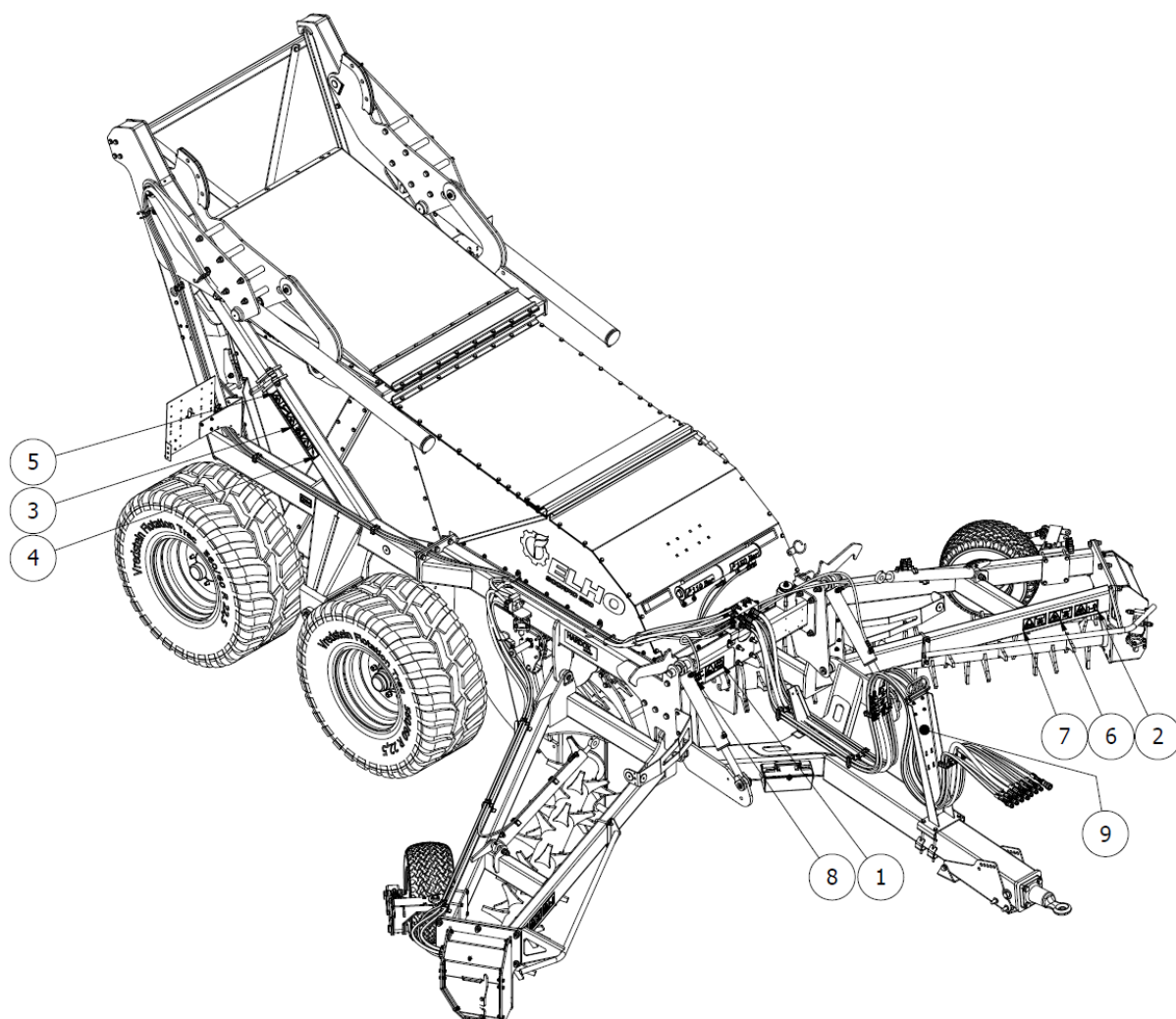


A lifting point.

1.7 Replacement of safety labels

Always replace missing or damaged safety labels. The replacement of safety labels is available from your dealer.

1.8 Location of the safety labels



2 TECHNICAL DATA

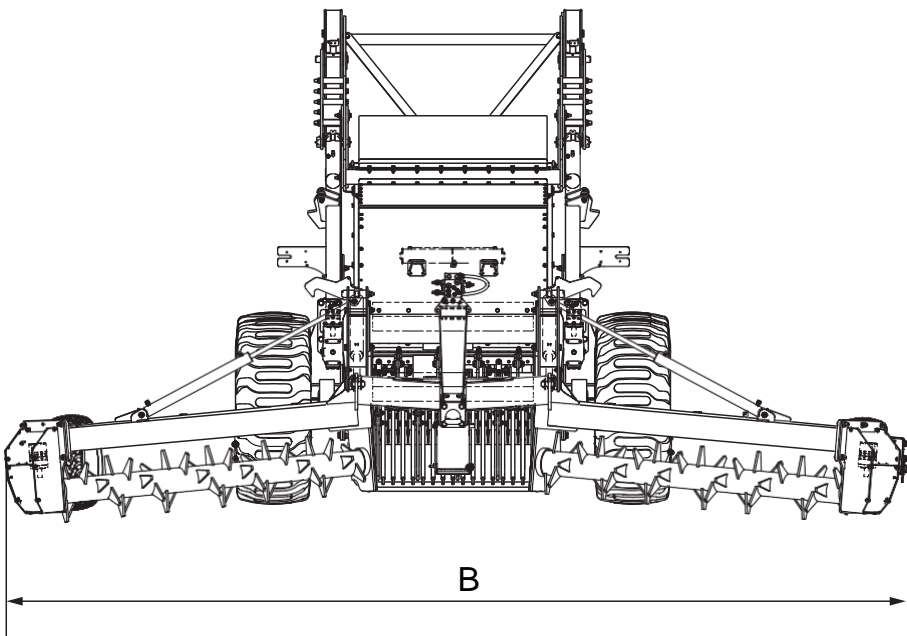
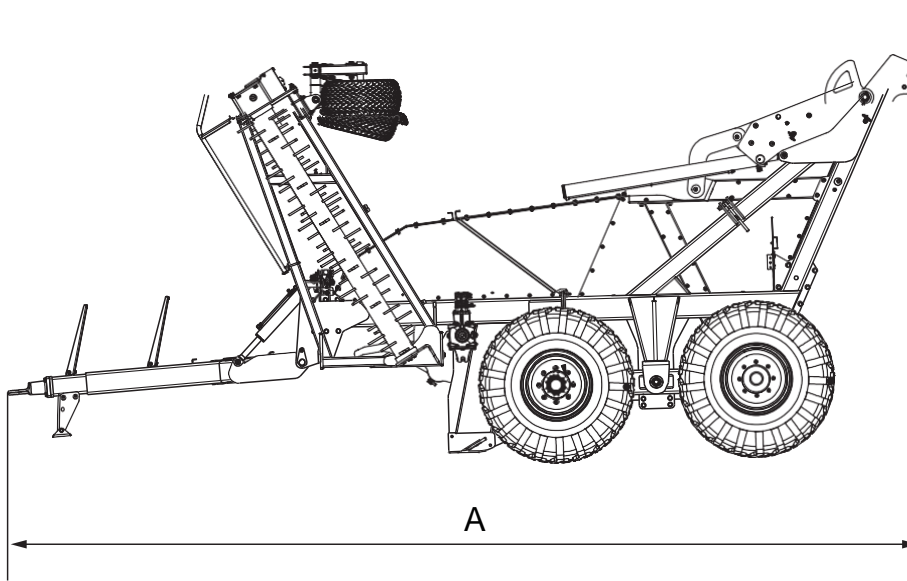
Dimensions	Refer to chapter 2.2 on page 14
Working width, m	5,5
Transport width, m	3
Transport height, m	2,7
Transport length, m	7,2
Number of tines, pcs	16
Stone size, mm	40-400
Inlet rotor tine lifting force, kg	400
Inlet rotor tine deflection upwards, mm	210
Stone tank capacity, Useful m ³	1,5-2
Oil flow, l/min	85
Power, kW	27
Working depth, cm	0-7
Working speed, km/h	1-7
Screen, mm	40/110
Tyres boggie	560/60 R22.5
Support tyres	26 x 12.00-12
Inlet rotor reversible	Standard
Windrower reversible	Standard
Automatic draft control	Standard
Weight, kg	6800 (with brakes)
Tyres air pressure, bar	2

2.1 Paint

Manufacturing complies with the strictest International painting standards for the paint and painting procedures. This ensures a long lifetime of the ELHO machines. But even a good paint surface can be damaged or scratched during transport and use. The best way to access the correct paint color is via your local paint shop, as postage and parcel transport of paint is restricted by very strict safety rules. The following International color codes are used for the original painting of the ELHO machines. The international color codes will help you to acquire the correct shade if needed. The original paint is polyurethane based industrial truck paint, but an alkyd-based paint of good quality is also suitable for paint repair.

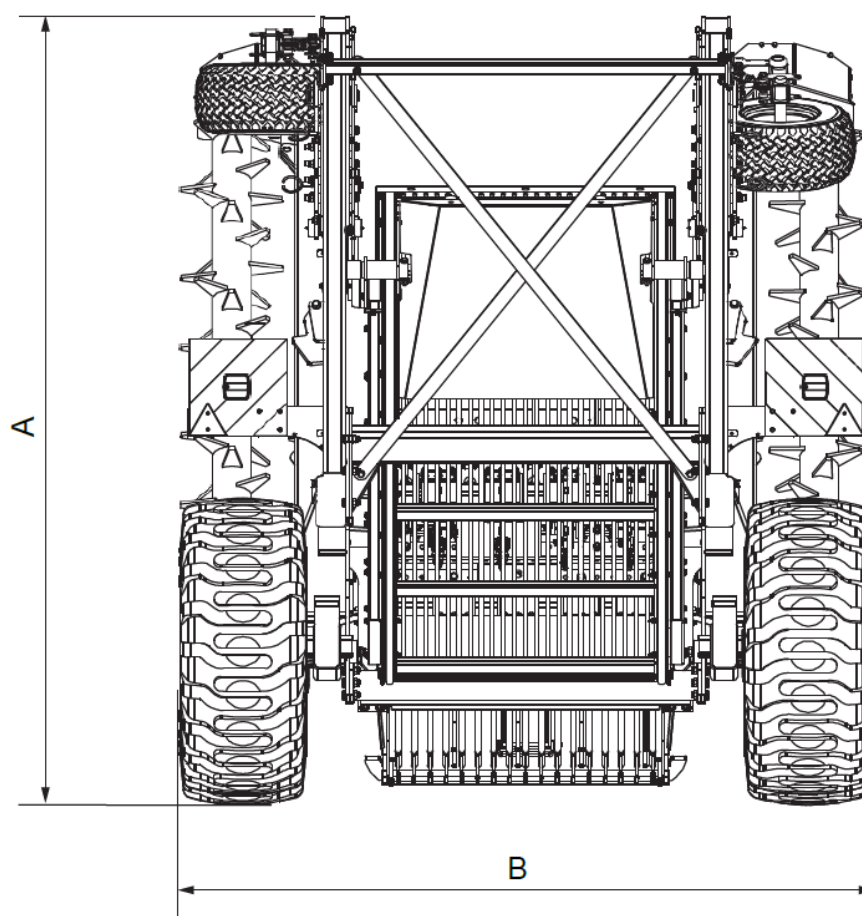
Yellow	RAL 1006
Gray	RAL 7024

2.2 Dimensions



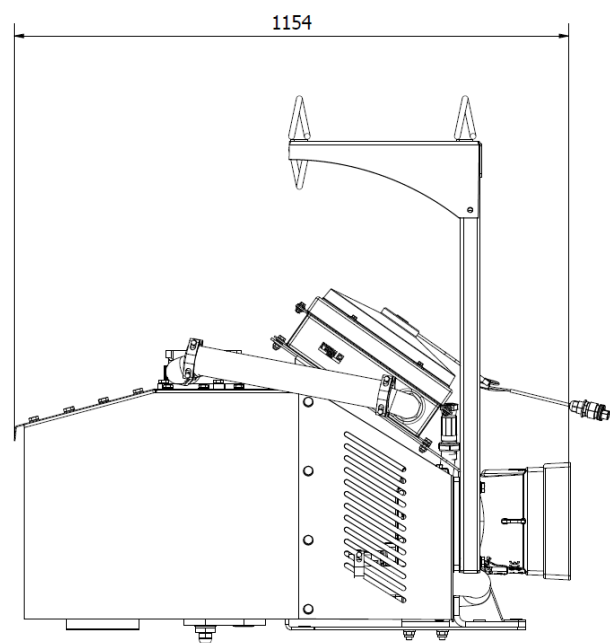
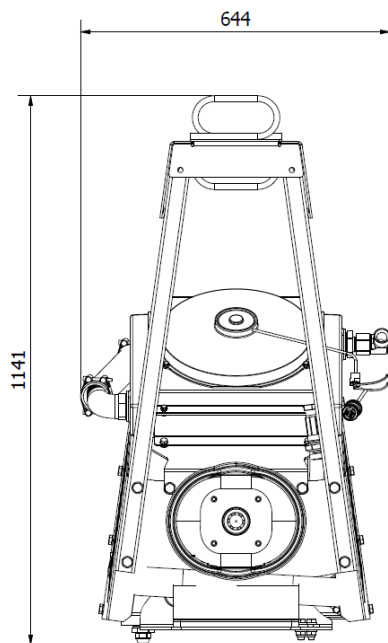
Scorpio 550	
A	7,2 m
B	5,5 m

2.3 Transport dimensions



Scorpio 550	
A	3,4 m
B	3 m

Scorpio 550 external hydraulic unit	
Dimensions	See figure below
Weight	225 kg
Hydraulic pressure	250 bar
Oil flow, PTO 600 rpm	120 l/min
Continuous power	35 kW
Max power peak	50 kW
Tank size	85 l
Cooler cooling capacity	0,2 kW/ ΔC°
Cooler current capacity	15 A



3 SETTING UP THE MACHINE

It is important that the greatest care is taken when starting up a new machine. Incorrect assembly, wrong operation etc. may cause damage, **which is not covered by the ELHO warranty.**

3.1 The environmental aspects on setting up the machine

Transport package

- The transport package of this machine is plastic film, which is made of pure polyester. You can recycle it together with fertilizer bags. You can also burn it, because it does not contain PVC.
- Bottom support and guards are made of wood, and they do not contain poisonous anti-rot agents. The wooden material can safely be burned in a furnace as solid fuel.
- You can return steel structures of the transport package to the factory for recycling or transport them to a scrap metal station.

Lubricants

- Gearboxes have usually been filled with the correct quantity of oil at the factory. To prevent contamination of the environment, do not turn the gearboxes upside down during the assembly.

3.2 Transport package

WARNING

Keep all persons out of the work area until the machine is fully turned into a normal position!
It is not permitted to stay under the hanging load. Also use protective gloves!

- Make sure that you use appropriate and validated lifting devices/slings/chains on all lifting works.
- Unnecessary staying at the lifting area is not permitted.
- Take extra caution when you lift the parts of the machine by hand.

3.3 Preparations

When you start up a new machine, make sure that the machine is assembled correctly and it is not damaged. The ELHO warranty does not cover damage which are caused by incorrect assembly or incorrect operation.

Make sure that the hydraulic hoses are tightened and assembled so that it allows the machine to move.

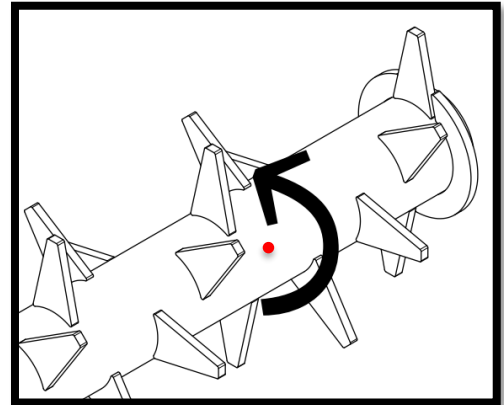
Check the oil levels of the gearboxes. Refer to chapter "5.3 Gearboxes oil" on page 39

3.3.1 Adjusting the correct rotation speed for windrower

WARNING

Before you disconnect or connect the machine, stop the tractor engine, engage the parking brake and remove the start key from the tractor. Any hydraulic movements from the tractor are not permitted. Use safety glasses and protective gloves!

1. Mark the windrower with for example red paint.
2. Set the oil flow from the tractor to 85 l/min
3. Start the machine
4. Count the windrower revolutions for 30 seconds and multiply the number with 2 to get the revolutions per minute.
The correct rotating speed is approximately 120 revolutions per minute.
5. If needed, adjust the oil flow from the tractor and perform step 4.



3.3.2 How to bleed the hydraulic system

WARNING

Keep all persons out of the work area!

WARNING

If the hydraulic cylinder contains air it can behave unexpected and not hold a load correctly!

Normally there is no need to separately bleed the hydraulic system. Before you operate on the field it is recommended to check the hydraulic functions.

4 USE OF THE MACHINE

WARNING

Before you disconnect or connect the machine, stop the tractor engine, engage the parking brake and remove the start key from the tractor. Any hydraulic movements from the tractor are not permitted. Use safety glasses and protective gloves!

WARNING

Do not use the machine without guards!

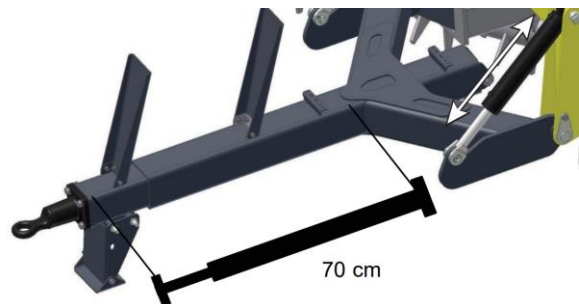
4.1 Safety devices

WARNING

The connecting and disconnecting to the tractor should only be carried out on flat ground. Ensure the surface is has enough stability.

4.1.1 Telescopic drawbar

If the machine hits an obstacle, the drawbar extends. The contained oil from the cylinder inside the telescope lifts the blade to bypass the obstacle. The drawbar returns due to the machines own weight.



4.1.2 Hydraulic transmission

If stones get stuck between the screen and tines, the relief valve in the tractor will bypass and all the rotors will stop. All motors are also fitted with a relief valve **V** as a secondary relief. To release stones stuck in the pickup:

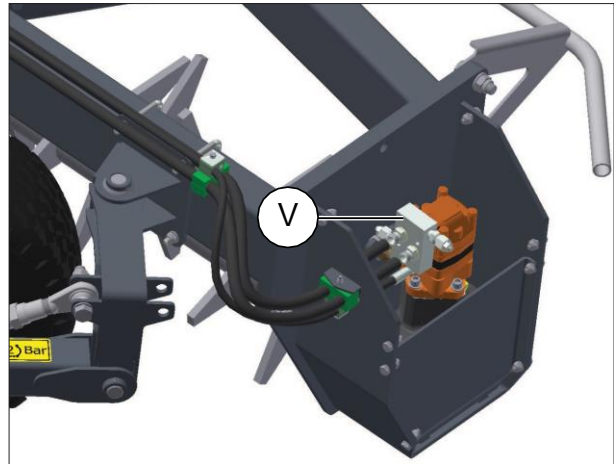
1. Stop the rotation oil flow
2. Lift up the machine
3. Reverse the rotors

V1

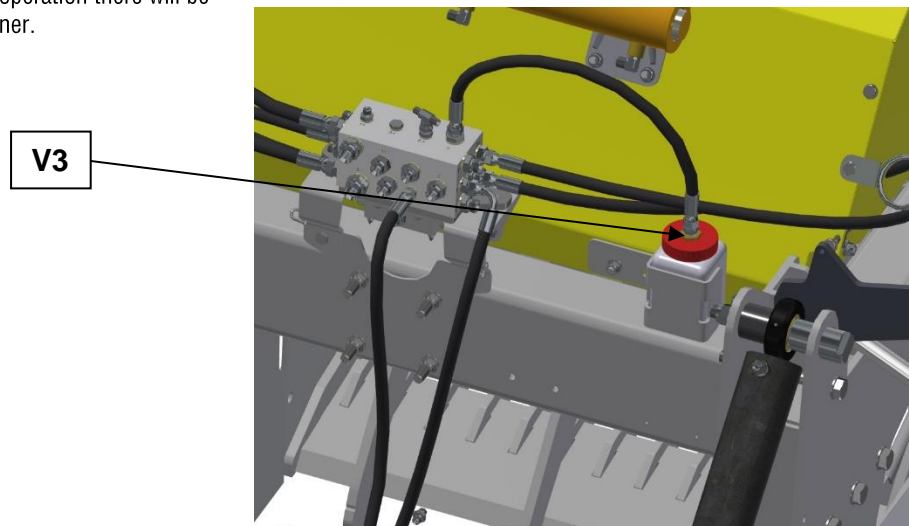


If stones get stuck in the windrowers, the relief valve **V2** on the windrower will bypass and only the windrower with the overload will stop. To correct this situation:

1. Stop the rotation oil flow
2. Lift up the machine
3. Reverse the rotors



Scorpio 550 10.5 machines are equipped with a safety valve **V3** assembled inside a plastic container on the front cross beam. This relief valve opens if the pressure in the drain line exceed 50 bar. The oil will be collected inside the plastic container. During normal operation there will be no oil in the plastic container.



Pressure relief valves settings:

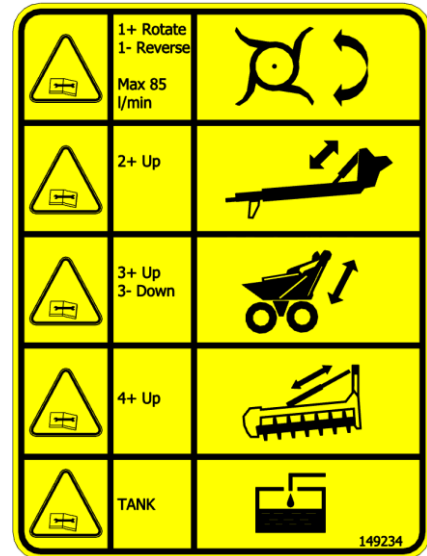
The cross over relief valves mounted on the hydraulic motor V1 and V2 are set to 250 bar from factory. Safety valve V3 is set to 50 bar.

4.2 How to connect the stone picker to the tractor

⚠ WARNING	Before you leave the tractor cabin, stop the tractor engine, engage the parking brake and remove the start key from the tractor.
------------------	--

⚠ WARNING	Make sure the quick couplings are clean.
------------------	--

1. Connect the tractor towing hook to the machine's drawbar eye.
2. Connect the hydraulic hoses. Refer to figure connection label. Scorpio 10.5 has only one hose 2+ for the drawbar cylinders.



NOTICE!	Connect the hydraulic function for rotation in a valveblock aimed for constant circulation. Set the oil flow for rotation to 85 l/min and the oil flow for reversing to 30 l/min.	
----------------	---	--

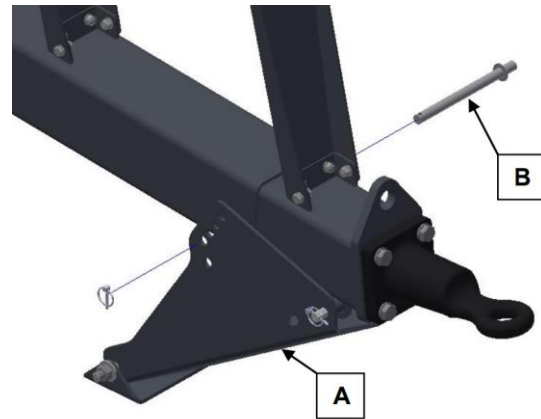
NOTICE!	This function is frequently used and should be connected to a valve with easy to access joystick.	
----------------	---	--

NOTICE!	This function needs floating position when you operate.	
----------------	---	--

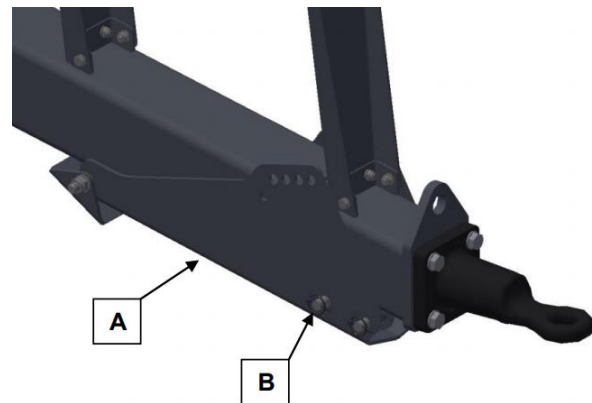
⚠ WARNING	The tank line drains the motors. The maximum back pressure for the tank line is 15 bar.	
------------------	---	--

3. The machine has a support leg (A).
Turn up the leg by:

- Removing the locking pin (B)



- Turn the support leg (A)
- Install the locking pin (B)

**NOTICE!**

The support leg on machines from series 10.0 – 10.2 is shorter but the function is the same.

 **WARNING****HYDRAULIC OIL INJECTION HAZARD!**

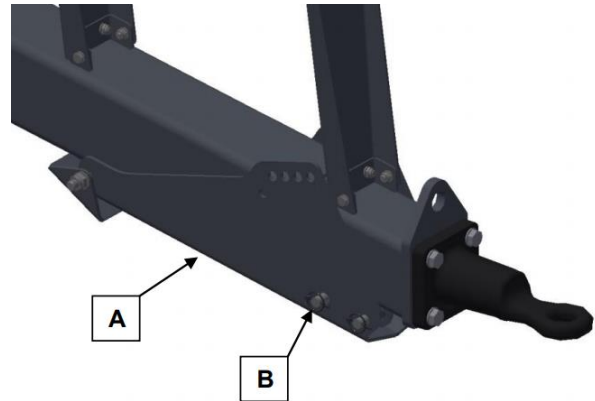
Connecting or disconnecting hydraulic components that are under pressure causes an injection hazard. Always make sure that the pressure is released before any maintenance.

4.3 How to disconnect the stone picker from the tractor

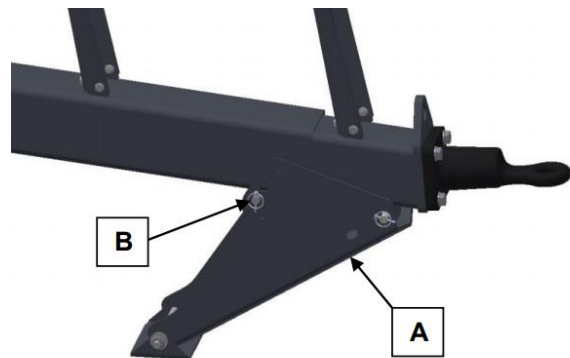
WARNING

Make sure that the machine is in transport position, refer to chapter “4.7.1 How to lift the stone picker into transport position” on page 29. Make sure that the transport hooks are locked! Lower the machine to the ground. Otherwise the machine can move by its own weight and cause personal injuries!

1. Turn down the support leg:
 - Remove the locking pin (B)



- Turn down the support leg (A)
- Install the locking pin (B)



2. Make sure the blade is against the ground.
3. Make sure the hydraulic system is pressure less and remove the hydraulic hoses.
4. Remove the tractor towing hook from the machine's drawbar eye.



NOTICE!

The support leg does only carry the drawbar.

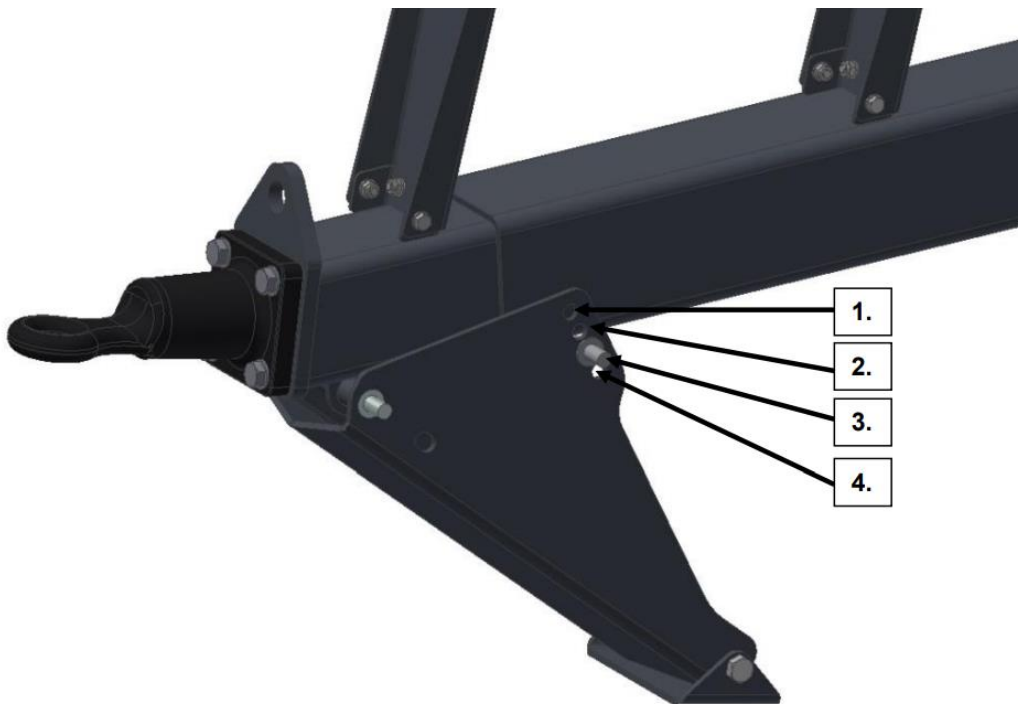
4.4 How to connect the stone picker to a fixed height hitch

The Scorpio 550 can be connected to a fixed height hitch using the multi positional support leg and the Scorpio hydraulics.

Hydraulic function 2+ lifts the machine and the machine go down by its own weight.

To be able to lift the drawbar for connecting it to your machine you also need to use the support leg.

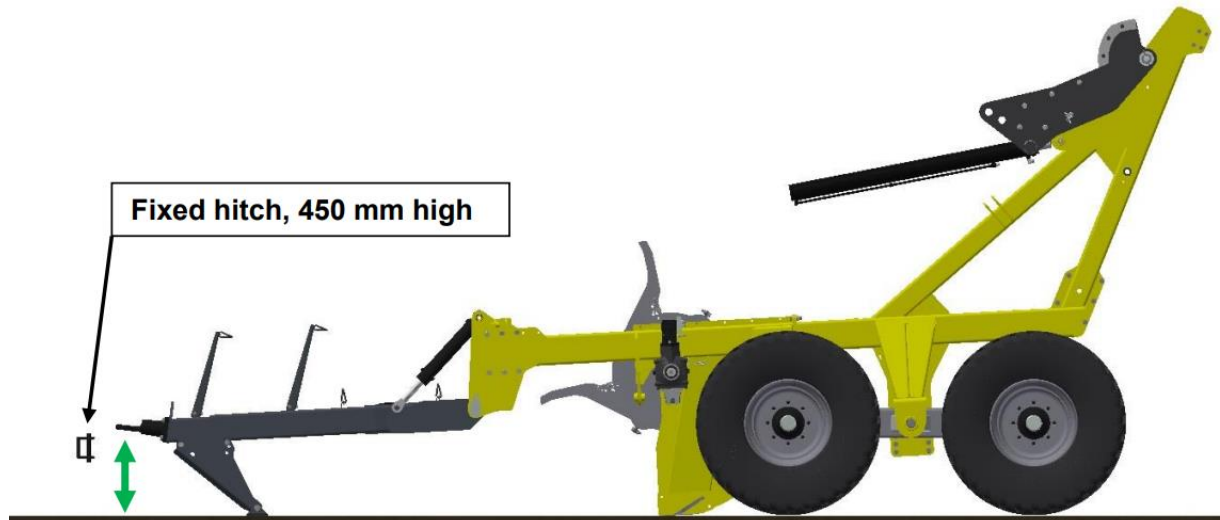
Support leg positions



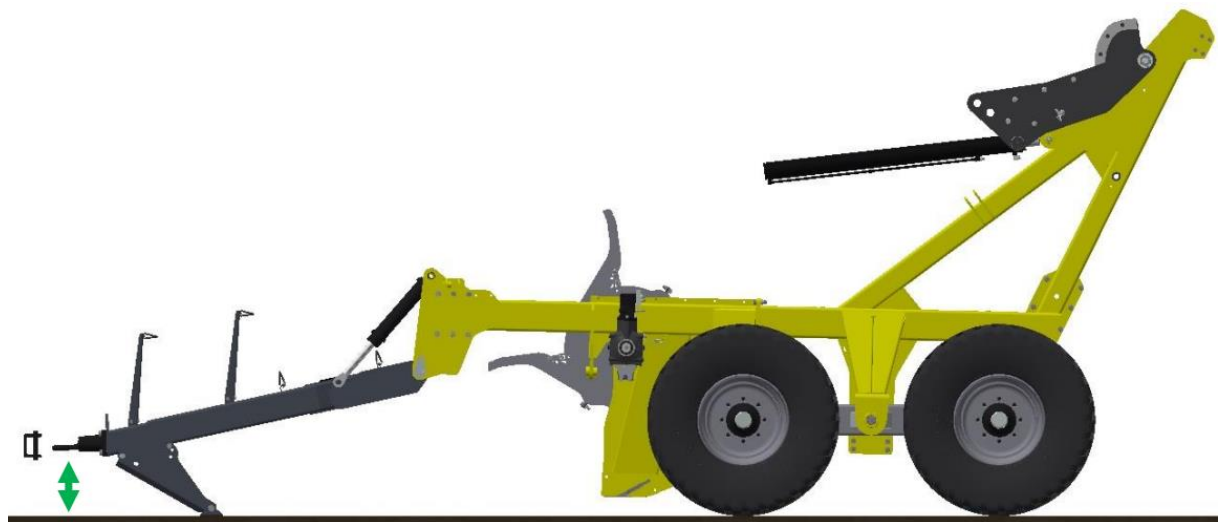
The support leg has four holes for four different hitch height ranges:

1. 720-480 mm
2. 650-420 mm
3. 590-350 mm
4. 530-270 mm

1. In the starting position the blade is resting on the ground and the drawbar is resting on the support leg. The fixed hitch in the figure is 450 mm high and the locking pin is set in the third hole for a height range of 590-350 mm.



2. Reverse against the stone picker close enough to connect hydraulic hoses.



Lift the blade (2+) to bring the drawbar down to the correct height according to your tractor and connect the stone picker.

4.5 How to disconnect the stone picker from a fixed height hitch

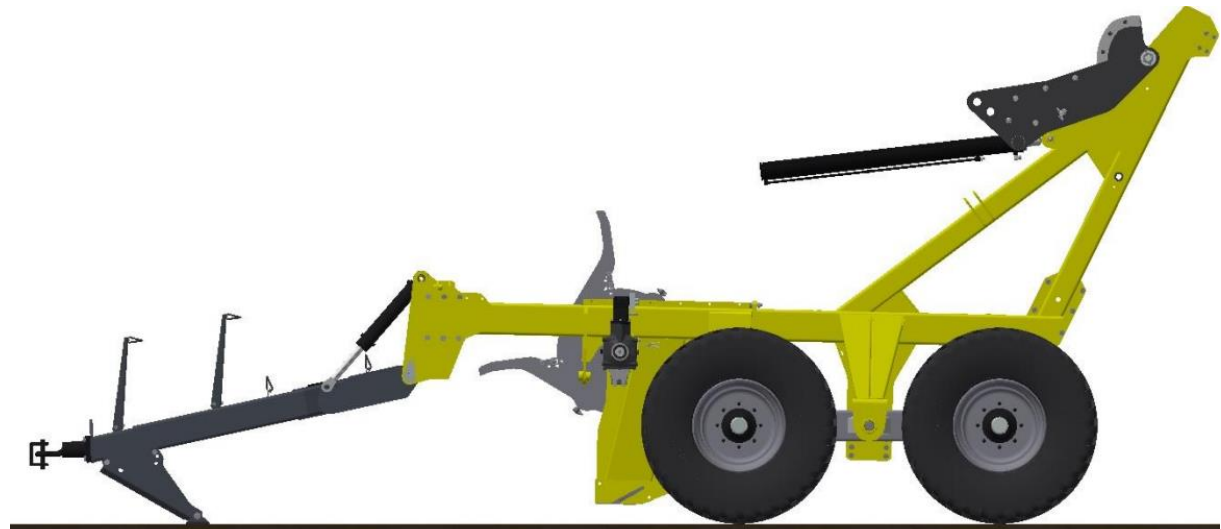
Below is the machine in the transport position with the support leg folded up and the blade lifted as high as possible from the ground.



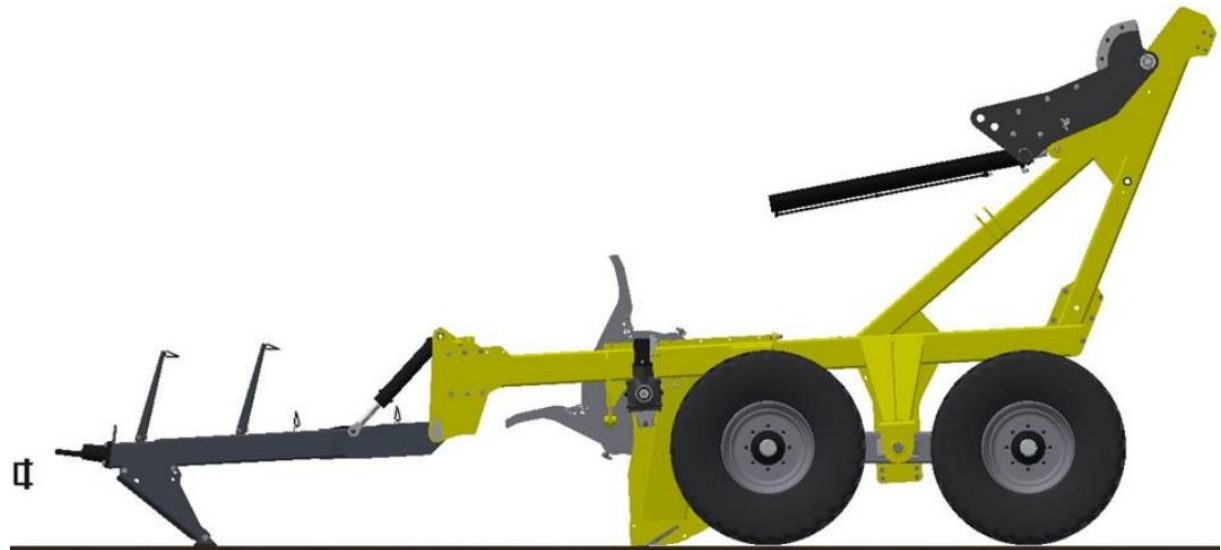
1. When in the transport position fold down the support leg and insert the pin in the correct hole for **your** tractor hitch height.



2. Lower the blade until the support leg carries the weight of the stone picker instead of the tractor hitch and disconnect the stone picker.



3. ground. When the blade is resting on the ground the hydraulic system is pressure free and you can disconnect the hydraulic hoses.

**NOTICE!**

The support leg does only carry the drawbar during storage.

 **WARNING****HYDRAULIC OIL INJECTION HAZARD!**

Connecting or disconnecting hydraulic components that are under pressure causes an injection hazard. Always make sure that the pressure is released before any maintenance.

4.6 Work position

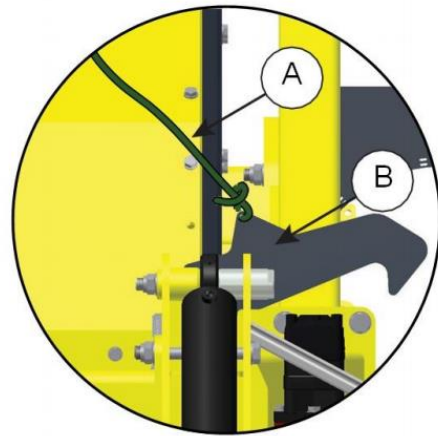
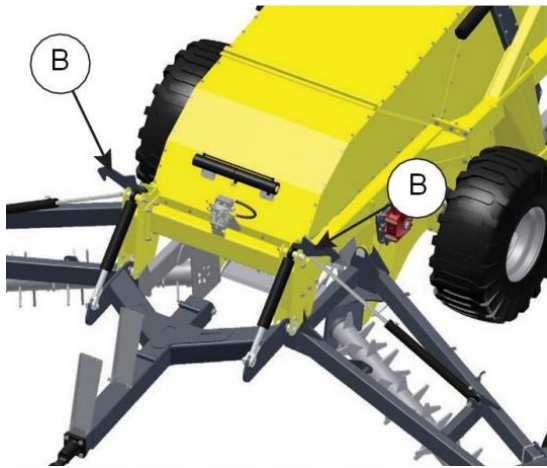
WARNING

Keep all persons out of the work area! Unnecessary stay in the work area (field) is not permitted.

- Adapt the speed of the tractor to the terrain conditions. Decrease the speed on stony and rough fields, for example.

Lower the stone picker into work position:

1. Lower the blade by tilting the machine frame forward.
2. Lift the windrowers to get clearance between the safety locks and the windrower.
3. Pull the rope (A). The mechanical safety locks (B) are released.
4. Lower the windrowers to the work position.
5. Make sure that the stone tank is in the down position



4.7 Transport position

WARNING

Make sure that the mechanical safety locks are in the locked position. You can hear an audible click when the mechanical safety locks snap shut to the locked position.

4.7.1 How to lift the stone picker into transport position

1. Lift the windrowers to the transport position.
2. Lift the blade.
3. Make sure that the stone tank is in the down position.



4.7.2 How to transport the stone picker

- Decrease the speed on rough roads. High speed can cause large shock loads to the construction. Shock loads can cause damage to the frame (not covered by warranty).
- Obey the law legislation for road transport. In some countries it can be necessary to install a SMV triangle when the machine is on a public road.

NOTICE!

The maximum road speed for the ELHO machine is 30 km/h. It is not allowed to transport anything inside the machine on roads.

4.8 Storage after season

- Open the windrower covers to access the motor and gearbox. Remove possible soil inside the casing using air blow gun.
- Clean and start the machine. Use plenty of water, do not use a pressure cleaner. Do not point the water jet to the bearings.
- Replace the damaged or worn parts.
- Repair possible paint damage.
- Carefully clean all extended cylinder piston rods and use grease to prevent rust damage.
- Before you spray the machine with rust preventing oil for storage, clean the machine and let it dry.
- Make sure that the building where you store the machine has good ventilation. This increases the lifetime of your machine.

4.9 Field operation

4.9.1 When to collect stones

NOTICE!

Do not try to pull up stones by force, collect only loose stones. Use appropriate machinery (e.g. excavator or cultivator) to loosen the stones. The ELHO warranty does not cover damage which are caused by incorrect operation.

Before you start to collect stones:

- Make sure that the surface of the field is dry, solid and the stones are loose.
- Do not use the machine for stones larger than 40 cm.
- The stones are collected to a working depth of 7 cm depending on the field conditions.

Rotation rate

NOTICE!

Too high rotation can also cause damage to the rotor tines, or otherwise cause unnecessary wear. Too high rotation can also increase oil temperature.

Driving speed

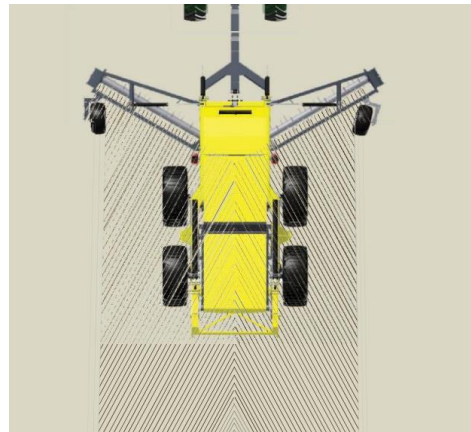
Choose correct driving speed depending on the stone content and field conditions.

If the field has a lot of stones (\varnothing 15-30 cm), drive 0 – 2 km/h.

If the field has few stones or the stones are small (\varnothing 4-10 cm), drive 3 – 6 km/h.

When the right driving speed and rotation rate are set, the collector creates fishbone pattern.

To set correct rotation, refer chapter “3.3.1. Adjusting the correct rotation speed for the windrower” on page 18.

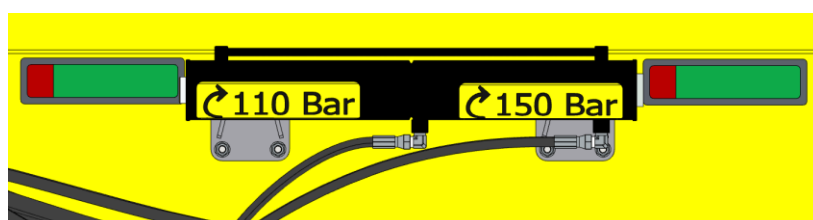


4.9.2 Adjustment of working depth

The machine has two working depth ranges. The right and left cylinder strokes show the machine working depth range according to the rotation resistance.

Automatic adjustment of the working depth:

1. Start the rotation
2. Lower the blade to the ground
3. Start moving forward, lower the machine until the 110 bar cylinder is on the green area of the indicator label.



4. To use this setting, leave the height adjustment valve in neutral position (center). The machine frame will automatically adjust how deep the machine works in the soil to maintain 110 bar pressure in the circuit for rotation. The stroke of the 110 bar cylinder indicates the range of movement for this setting.
5. To set the machine to 150 bar resistance, lower the machine while working, the 110 bar cylinder will go to the minimum position and the 150 bar cylinder will start moving. Stop lowering the machine when the 150 bar cylinder is on the area of the green label.
6. The operator can at any time override the automatic function by changing the machine height.

The rake outer end working depth is set by altering the height of the rake from the linkarm. The correct setting of the windrower support tyre is when the soil is not moving towards the machine center, only stones are moving.



NOTICE!

The **automatic adjustment of working depth** does not affect the depth of the windrower outer ends.

NOTICE!

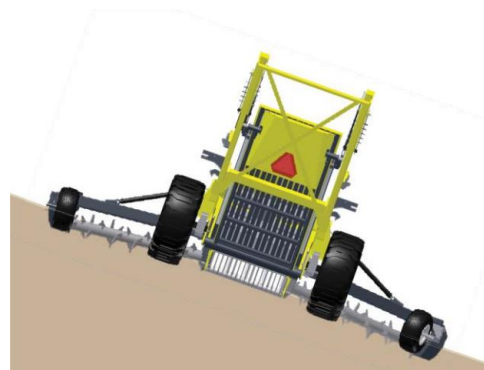
If you force the machine too deep, the machine can be clogged.

4.9.3 Other driving instructions

Hilly conditions

If you operate the machine in a hilly environment, it is recommended to drive uphill or diagonally to uphill to get the windrowers to operate properly.

If the downhill is too steep the stones will only move forward, and not to the center of the machine.



4.9.4 How to empty the stone tank

⚠ WARNING

Keep all persons out of the work area! Unnecessary staying at the work area (field) is not permitted. It is not permitted to stay under the hanging load!

⚠ WARNING

Keep the machine and tractor aligned. Empty the stone tank in safe, flat and hard ground. Otherwise the machine can tip over and cause personal injuries!

- The stone tank is full when the rotor throws the stones in front of the inlet
- Before you empty the stone tank, keep the machine frame in the high position
- Do not empty the stone tank if the machine is angled sideways
- Avoid emptying the stone tank in uphill
- When you lower the stone tank make sure that there is no stones stuck between the screen and the stone tank
- It is forbidden to drive with stone tank up

NOTICE!

If the tank gets overfilled and does not rise more than halfway, rise the tank by tipping in steep downhill. Make sure that the tipping mechanism is well lubricated.

4.10 How to use the external hydraulic unit

An external hydraulic unit is available for the Scorpio 550, part number: 114712. The main purpose for the hydraulic unit is to provide enough oil flow and number of ports to work with the Scorpio with a tractor that does not have sufficient hydraulics. The external unit can also be used in situations where you do not want to mix the tractors hydraulic oil with the oil from the stone picker. If the hydraulic unit is delivered filled with oil the oil quality is Neste 68 super.

4.10.1 Connecting the external hydraulic unit to the tractor

If the machine has a hydraulic unit it is attached with brackets to the drawbar.

Two 3/4" hydraulic hoses on the hydraulic unit should be connected to the electrical hydraulic block.

Start by removing the longer hoses currently assembled on the block. These longer hoses are the ones used for a tractor with a LS pump. The block also has a small 3/16" LS hydraulic hose prepared for LS drive, this hose is not used when using the hydraulic unit.

The longer hydraulic hose connects the pump to the P port on the block. The shorter hose is installed between the cooler and the T port on the block.

If the hydraulic unit is shipped without oil we recommend to fill the unit with 80 litres of 68 grade hydraulic oil or similar.



WARNING

The hydraulic unit is to be used only with the tractor linkage arms lifted to max height.

WARNING

HYDRAULIC OIL INJECTION HAZARD!

Connecting or disconnecting hydraulic components that are under pressure causes an injection hazard. Always make sure that the pressure is released before any maintenance.

4.11 Working with the hydraulic unit

The valve block is designed for a continuous flow of 130 l/min which is obtained when the PTO is working at 600 rpm.

WARNING

The recommended RPM for the PTO when working with the stone picker is 600. Higher rpm will lead to excessive heating of the oil and can cause damage on the stone picker.

4.11.1 Cooler

The hydraulic unit is equipped with a cooler. The cooler has a capacity of 0,2 kW/ΔC°, which is equal to 10 kW when the ambient temperature difference is 40 C°. The cooler fan is electrically driven. The optimum working temperature for the oil is 45-60 C° and the oil should not exceed 90 C°. The cooler fan has to be connected to fused tractor plug.

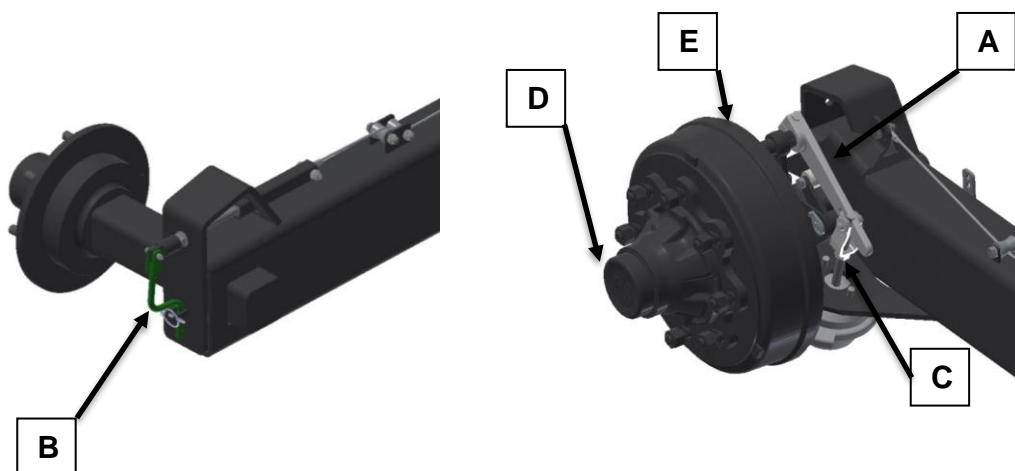
4.12 Brakes

The Scorpio can be equipped with brakes according to local requirements and conditions. There are three types of brakes available for the Scorpio 550.

1. Hydraulic brake
2. Pneumatic brake
3. Pneumatic brake + manual parking brake

4.12.1 Check and adjust the brakes

- It is important to check that the brakes are working properly at least two times a year.
- Inspect the functionality of the brakes and adjust the brakes if necessary.
- The brakes should be frictionless when not engaged and the lever play should be no more than 10mm
- The manual parking brake is activated by winding the hand lever (**B**).



WARNING

Improperly maintained and poorly adjusted brakes can be weaker and will wear out faster and may lead to failing brakes.

The brake lining need be checked every two years or after 1000 working hours. The minimum liner thickness is 2 mm. To check the liner thickness you need to disassemble the brake drum:

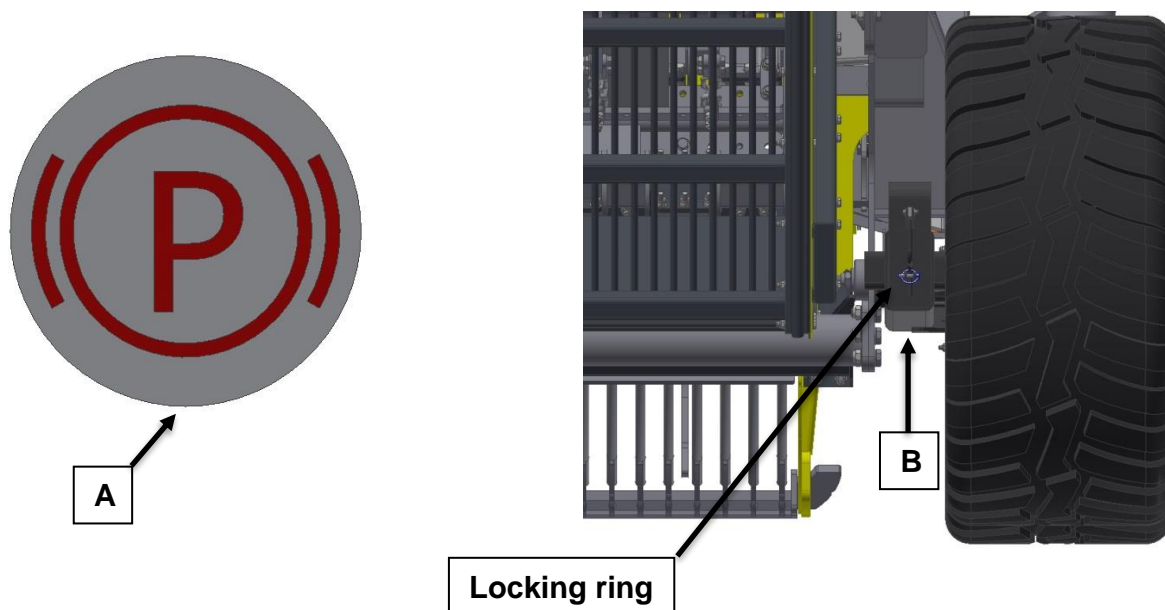
- Remove the wheel.
- Remove the hub cover (**D**) and unscrew the crown nut.
- Pull out the outer drum (**E**).
- Check liner thickness, replace liner and tension springs if necessary.

- If necessary clean parts and apply new grease, be careful not to smear grease on the brake lining.
- Reassemble and adjust the lever if needed.

The hand lever (B) for manual parking brake is located on the back of the wheel axles and is kept in place with a locker ring. On the machine the place of the manual parking brake is marked with a sticker (A)

4.13 Prevent unauthorized use

To prevent unauthorized use the locking ring can be replaced with a padlock and lock the hand lever with the parking brake engaged.



5 MAINTENANCE

WARNING

Before you perform maintenance, stop the tractor engine, engage the parking brake and remove the start key from the tractor. Any hydraulic movements from the tractor are not permitted! Use protective gloves!

WARNING

Before you perform any maintenance under the machine, make sure that the machine is supported!

To make sure a long and trouble free use of the machine, keep the machine clean and follow the maintenance instructions. Before you start the maintenance work, make sure that the machine is completely stopped.

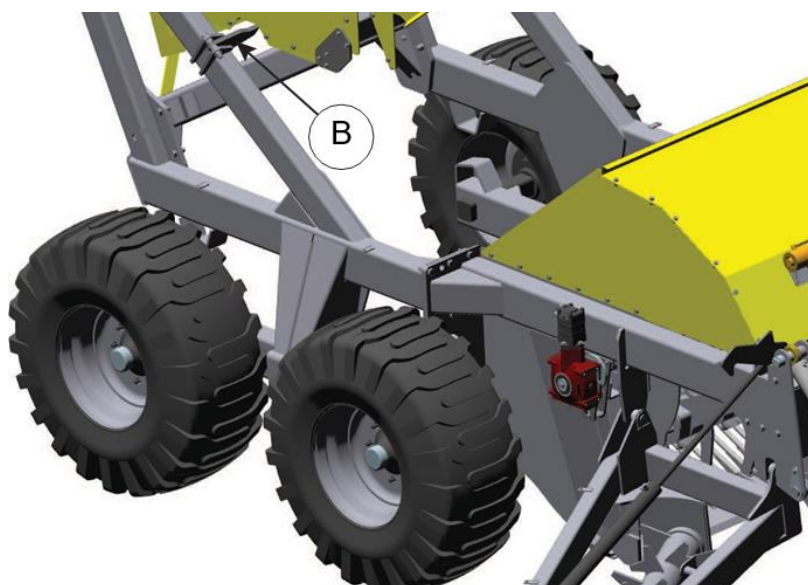
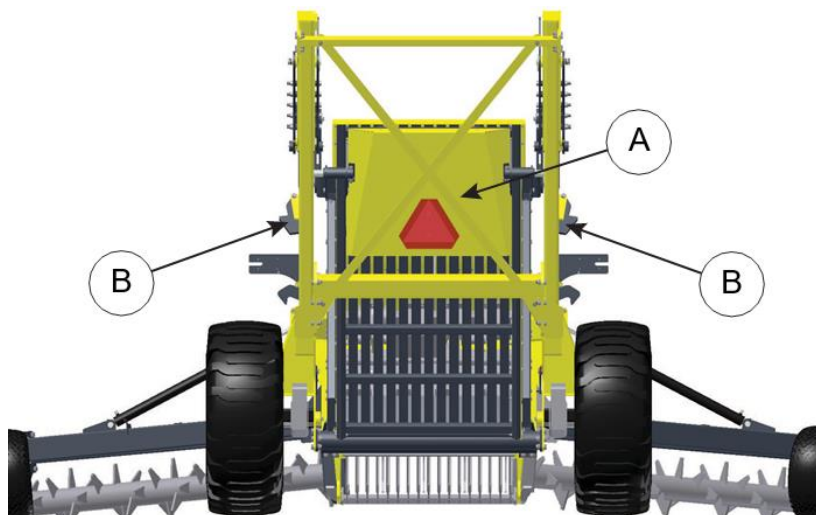
Tightening torques

Do a check of all hex screws and nuts regularly, tighten them if necessary. If nothing special is mentioned, use the tightening torques seen on the table below:

Bolt size M (mm)	Bolt class 4.6 (Nm)	Bolt class 5.8 (Nm)	Bolt class 8.8 (Nm)	Bolt class 10.9 (Nm)	Bolt class 12.9 (Nm)
6	3,7	6,1	9,8	14	17
8	8,9	15	24	33	40
10	17	29	47	65	79
12	30	51	81	114	136
14	48	80	128	181	217
16	74	123	197	277	333
18	103	172	275	386	463
20	144	240	385	541	649
22	194	324	518	728	874
24	249	416	665	935	1120
27	360	600	961	1350	1620
30	492	819	1310	1840	2210

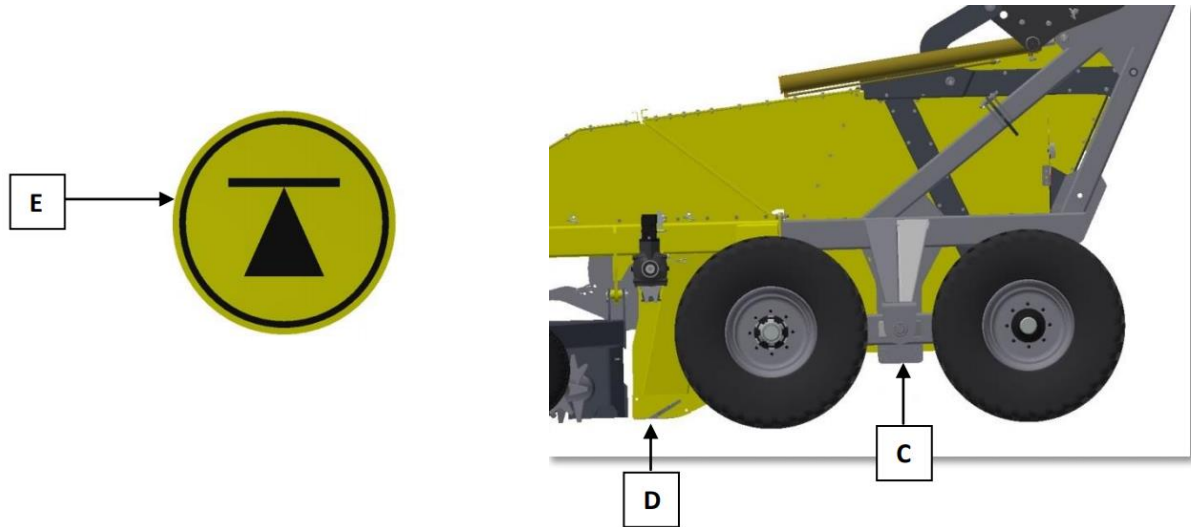
5.1 Maintenance position

1. Lift the stone tank (A)
2. Lift the limiters (B) manually
3. When you lower the stone tank, the tank goes against the limiters (B)



5.1.1 Jack point

When doing any work with the wheels disassembled support the frame on the jack point (C) and the blade (D). The jack points are marked on the machine with sticker (E).



5.2 Hydraulic hoses

WARNING

HYDRAULIC OIL INJECTION HAZARD!

Connecting or disconnecting hydraulic components that are under pressure causes an injection hazard. Always make sure that the pressure is released before any maintenance.

Replace the hydraulic hoses with new ones after an interval of 6 years. Perform regular inspections of the hydraulic hoses to find possible damage.

To replace a hydraulic hose:

1. Lower the machine to the ground.
2. Make sure that the hose is not under pressure.
 - Open the connection for approximately 1.5 turns to release the remaining pressure.
3. Open the hose connections and place plugs to the open ends of the hydraulic lines and components.
4. Remove the hose from the machine.
5. Remove the plugs and install a new hose.
6. Operate the machine and make sure that there are no leaks. Add hydraulic oil if necessary.

All leakage oil must be collected and disposed of properly.

5.3 Gearboxes oil

Before you start up a new machine, check the oil levels in all gearboxes.

Gearboxes

- Fill the oil through the plug (1).
- Do a check of the oil level through the oil plug (2).
- Remove the oil through the bottom plug (3) under the gearbox.



Type of oil	Quantity of oil	Changing interval
SAE 80W90 EP	Up to the check plug (1,3 l)	After the first 50 hours of use, then after 600 hours or one time/season.

If your machine is equipped with a hydraulic unit you also need to check and maintain the gearbox on the hydraulic unit.

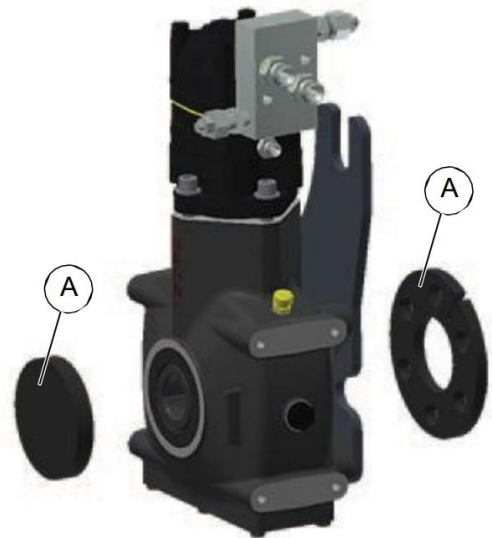
- **A** filler plug/Breather
- **B** oil level eye
- **C** Bottom plug



Type of oil	Quantity of oil	Changing interval
SAE 80W90 EP	Up to the oil level eye (B) (1 l)	After the first 50 hours of use, then after 600 hours or one time/season.

5.4 How to clean the windrower driveline casing

- Open the windrowers cover to access the motor and gearbox.
- Empty and clean out the possible soil inside the casing using air blow gun. The gearbox shaft seals are protected by elastic foam discs (A). Refer to figure.



NOTICE!

Soil, sand and moisture damage the shaft seals. Replace damaged foam discs.

5.5 Inlet rotor

WARNING

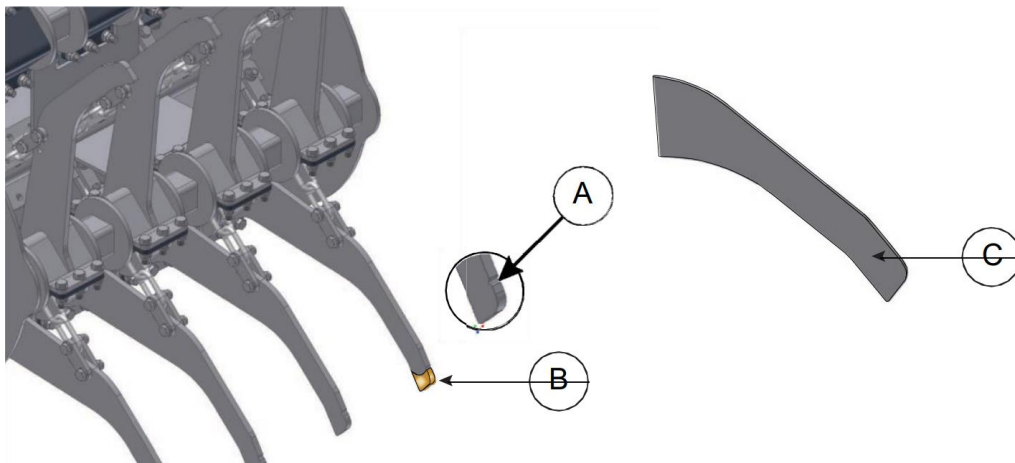
Before you perform maintenance, stop the tractor engine, engage the parking brake and remove the start key from the tractor. Any hydraulic movements from the tractor are not permitted! Use safety glasses and protective gloves!

5.5.1 Rotor tines repair welding

If the rotor tine is worn to groove (A). Repair the tine in order to keep the machine working correctly.

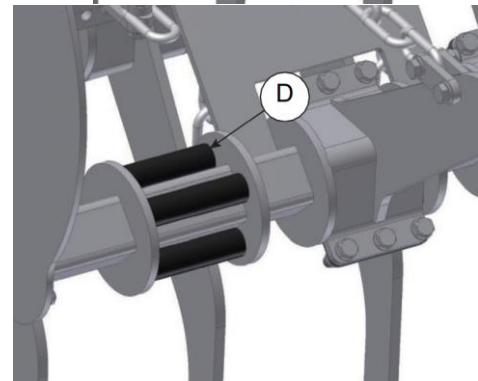
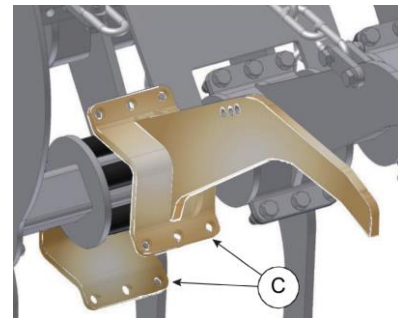
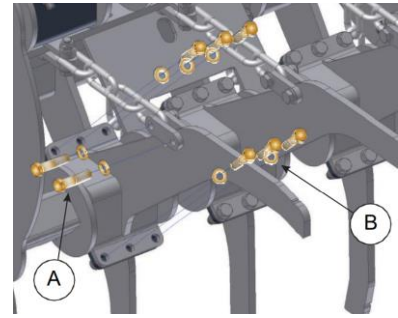
Spare part code for rotor tine repair kit can be found in the spare parts catalog

1. Remove the rotor tine. Refer to chapter "5.5.2" page 41.
2. Grind the tine in order to install the repair part (B).
3. Use the template (C) delivered with the repair kit to fix the repair part to correct position.
4. Weld the part in position.

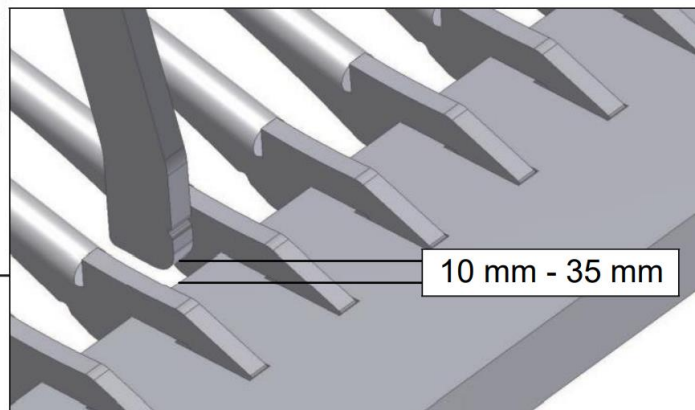
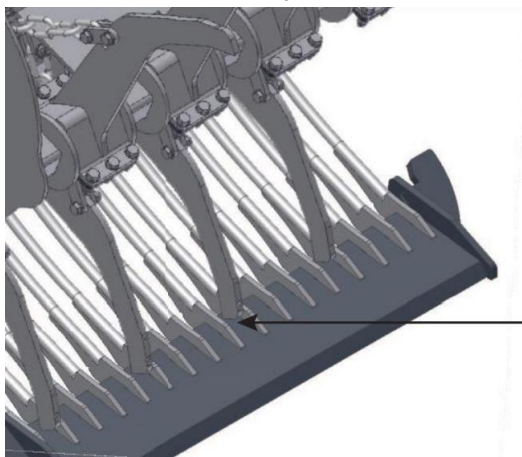


5.5.2 How to replace the rotor tines

1. Remove the limiter chain bolts (A), 2 pcs.
2. Remove the bolts (B), 6 pcs.
3. Remove the surface plates (C).
4. Tape the rubber sticks (D) in place to facilitate installation.
5. Attach the surface plates (C) with the bolts (A and B).
6. Tighten all bolts.



Make sure that the tines go close enough to the blade. The clearance is set with the limiter chains. Refer to chapter “5.5.3. How to replace the limiter chains” on page 42. The tine must go to the cutting groove. The gap between the tine and blade is min. 10 mm and max. 35 mm. Refer to figure.



5.5.3 How to replace the limiter chains

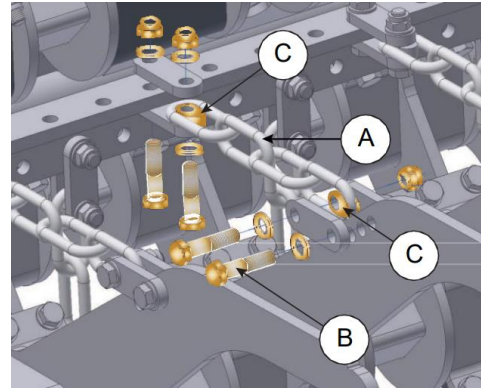
NOTICE!

Risk of damage to equipment

Do not operate if limiter chain (A) is damaged or broken. The broken rotor tine goes too deep and can cause damage to the machine.

Do not operate if limiter chain (A) is damaged or broken. The broken rotor tine goes too deep

1. Remove the limiter chain bolts (B), pcs.
2. Replace the limiter chain (A).
3. Adjust the tine position. The tine has 3 different hole options.
4. Attach the limiter chain (A) with the limiter chain bolts (B), 4 pcs.
5. The fine adjustment is done with the setting of the spacer washers (C).



NOTICE!

Make sure that all screws are tightened correctly.

5.6 Windrower

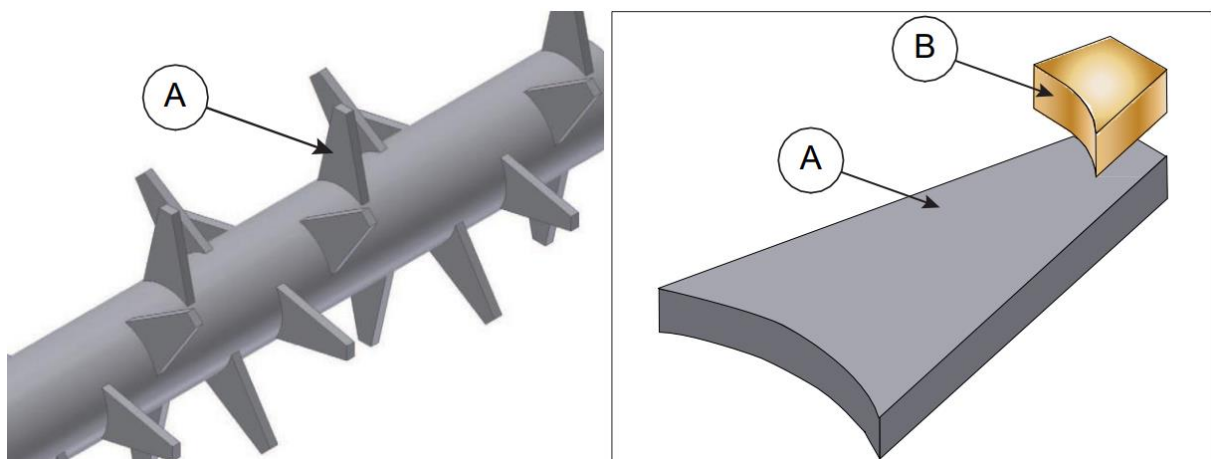
5.6.1 Tines repair welding

The windrower tines (A) cannot be replaced individually without welding. The original length of the windrower tine (A) is 13.5 cm. If the windrower tine (A) is worn to 11.5 cm.

Repair the tine in order to keep the machine working correctly.

1. Grind the tine in order to install the repair part (B)
2. Weld the repair part (B) in position.

Spare part code for windrower tine repair kit and single part can be found in the spare parts catalog



5.6.2 Tyre air pressure

Do a check tyre air pressure, refer to chapter “2. Technical data” on page 13.

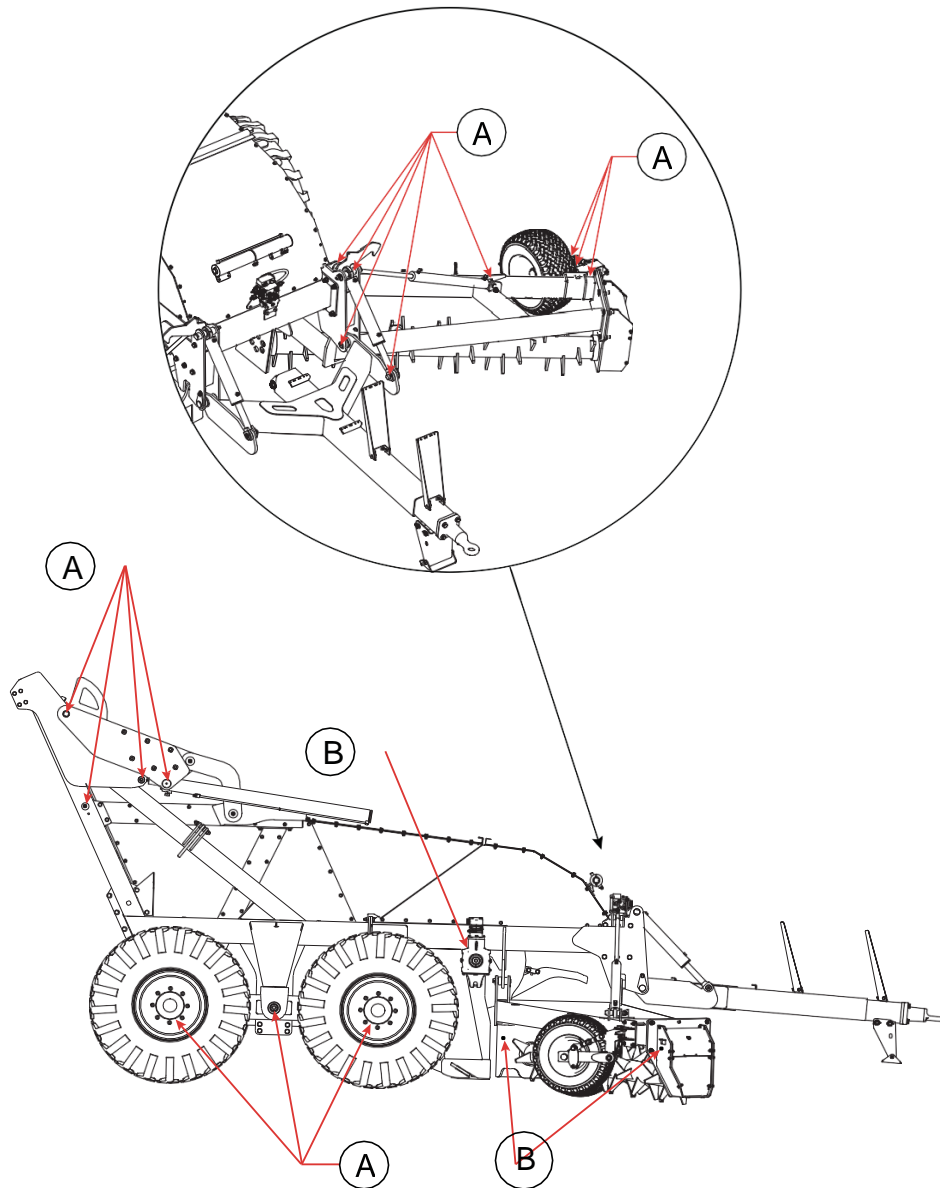
5.7 Hydraulic unit

The hydraulic reservoir is filled with 80 l of Neste 68 hydraulic fluid. Check the hydraulic oil quality every season and change if needed. Under normal working conditions the oil should last two seasons or more before an oil change is needed.

The oil filter need to be replaced every season or when the back pressure in the filter is 2 bars. At 2 bars a bypass valve will open if the filter is clogged and the max working pressure for the filter is 3 bar.

5.8 Lubrication

Use correct grease for the lubrication points. Refer to figure.



Lubrication	Maintenance interval
A	Lubricate every 20 hours
B	Lubricate every 8 hours

NOTICE!

Use intended equipment when maintaining the stone picker at the higher points.

6 TROUBLESHOOTING

Problem	Possible cause	Solution
Stones stay on the field.	Too low working depth.	Make sure that the working depth is correct. Increase the working depth.
	Uneven field.	Harrow the field.
Stones are not entering the machine.	Incorrect working depth.	Make sure that the working depth is correct. Do a check of tines condition and field conditions.
	Tank is full.	Empty the tank
	Hydraulic oil flow is too low.	Check the tractor
	Hydraulic pressure too low.	Check the tractor.
Stone tank lowers slowly or is stuck when being lowered.	Quick-couplers are blocked.	Check condition of the quick-couplers and tractor.
	Machine is angled downhill.	Lower the blade against the ground
Screen is clogged.	Rotor tines are too short or worn out.	Replace the rotor tines or do repair welding. Refer to chapter 5.5.2. How to replace the rotor tines on page 41.
Pickup rotor feels powerless.	Incorrect pressure.	Check the pressure in 1+ with manometer when blocking the pickup rotor, adjust to 200 bar. Check the pressure in 1- when running the rotor at full speed, if pressure is over 20 bar change oil filter in the tractor.
Rake feels powerless.	Incorrect pressure.	Check the pressure in the line between pickup motor and rake motor when blocking the rake, adjust cross over valve on rake rotor to 250 bar.
Stone hopper is low and sometimes stop.	Incorrect pressure.	Turn in V4, 1,5 turns to set the down pressure to 75-100 bars.
Oil is leaking from the air breather on the main block.	Hydraulic connections assembled wrong.	Check the tank line, one way valve, quick coupling and the return line 1- is connected properly.

7 FINAL DISASSEMBLY OF THE MACHINE

WARNING

Keep all persons out of the work area! It is not permitted to stay under the hanging load! Also use protective gloves.

- Make sure that you use appropriate and validated lifting devices/slings/chains on all lifting works.
- Unnecessary staying at the lifting area is not permitted.
- Take extra caution when you lift the parts of the machine by hand.
- Before you start disassembly, disconnect the machine from the tractor and make sure that the machine is stopped.
- Before you start disassembly, release the pressures from the hydraulic systems.

Oil

Collect the oil from the hydraulic system and deliver the oil to an oil waste collection point.

Tyres

Supply the tyres to the landfill.

Disassemble

We recommend that you deliver the machine to a scrap yard for recycling, after you have removed the tyres and the oil.

